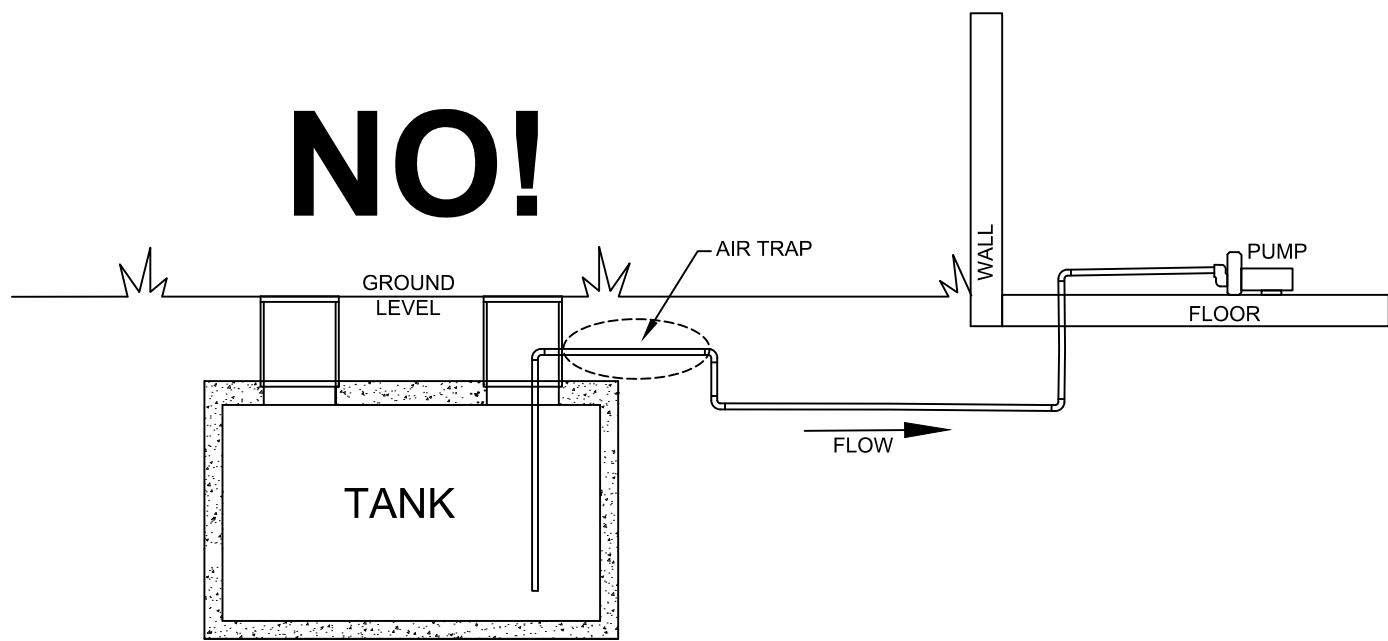


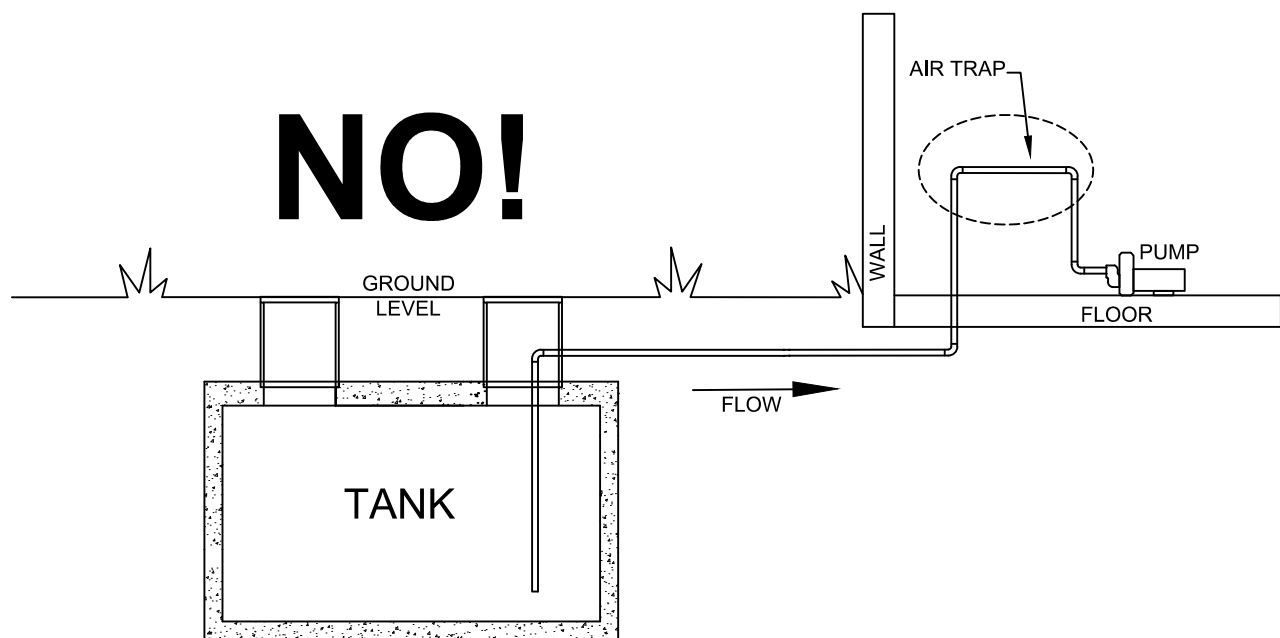
NO!



BELOW GROUND TANKS

ALL suction lines must NEVER slope down and then back up again (Air Trap).

NO!



BELOW GROUND TANKS

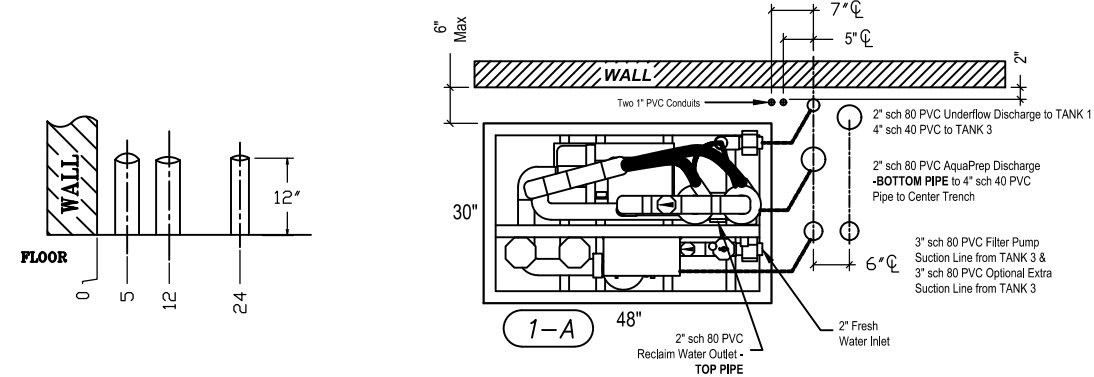
ALL suction lines must NEVER slope up and then back down again (Air Trap).

ANY QUESTIONS CONTACT SONNY'S

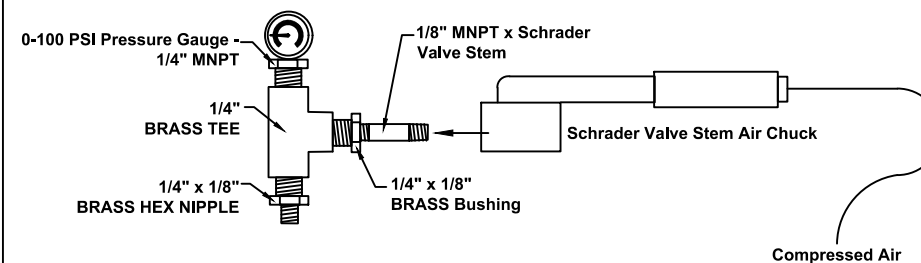
NOT FOR CONSTRUCTION UNTIL APPROVED BELOW.

APPROVED BY. _____ DATE _____

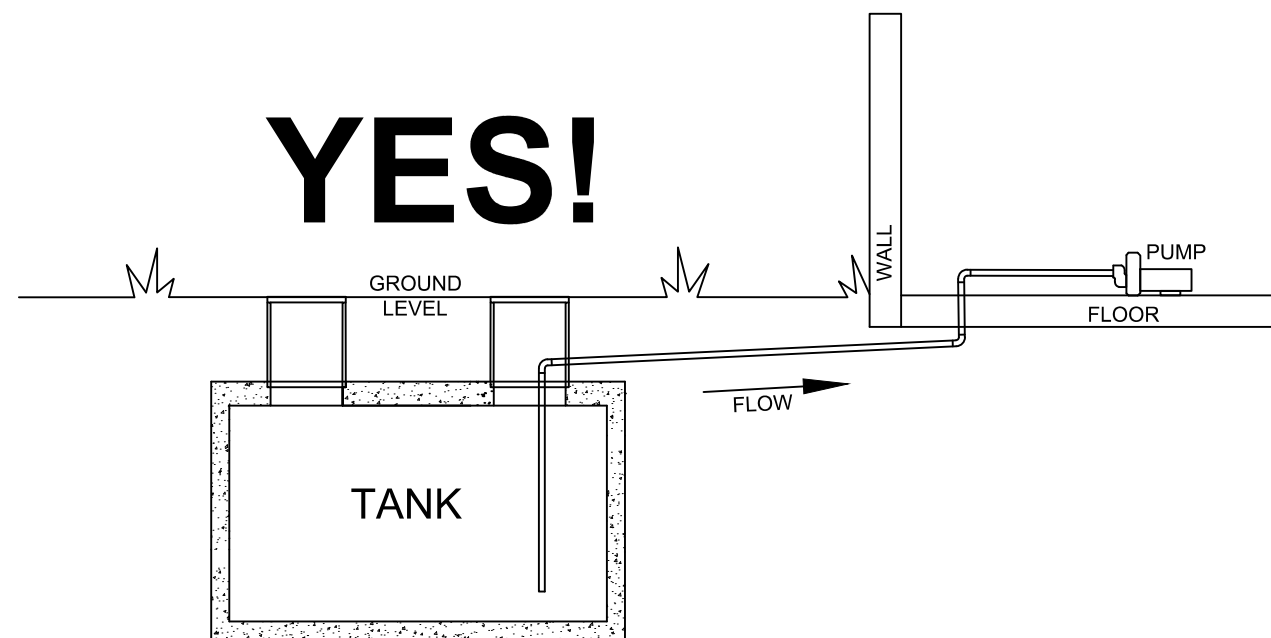
ERS-100 Underground Stub-Ups & Pipe Connections in Equipment Room -by G.C.



PRESSURE TESTING PUMP SUCTION LINES



YES!



BELOW GROUND TANKS

ALL suction lines require a continuous upward slope to the Equipment Room.

DISCLAIMER
ALTHOUGH BUILDING CODES HAVE BEEN CONSIDERED IN DEVELOPING THIS DRAWING, VERIFICATION OF SITE SPECIFIC CONDITIONS AND COMPLIANCE WITH FEDERAL, STATE AND LOCAL BUILDING CODES IS THE EXCLUSIVE RESPONSIBILITY OF THE CUSTOMER AND/OR ARCHITECT AND ENGINEER. THESE DRAWINGS REFLECT REQUIREMENTS FOR SONNY'S FURNISHED EQUIPMENT ONLY UNLESS OTHERWISE NOTED. PLEASE REFER TO OTHER MANUFACTURERS, IF ANY, FOR THEIR EQUIPMENT REQUIREMENTS.

CONFIDENTIAL WARNING:
THIS SHEET CONTAINS AND CONSTITUTES CONFIDENTIAL INFORMATION, IMAGES AND TRADE SECRETS OF SONNY'S ENTERPRISES INC. ANY UNAUTHORIZED USE OR DISCLOSURE OF ANY OR PORTION THEREOF, IS STRICTLY PROHIBITED. THIS WORK IS THE EXCLUSIVE PROPERTY OF SONNY'S ENTERPRISES INC. ALL RIGHTS RESERVED.

19581-D9-CALIBER LAKE WALES

SCALE: N.T.S.

LOCATION: -FL-

Sheet	Rev.
4.4	+-

RECLAIM SYSTEM; GC

© 2020 SONNY'S ENTERPRISES, INC. 5605 Hiatus Road, Tamarac, FL. 33321 USA. TEL. 800-327-8723

SONNY'S
The CarWash Factory
<http://www.SonnysDirect.com>

DATE:	09.25.19
REVISION DATE:	03.06.20
CREATED BY:	LV
REVISED BY:	FAO
CHECKED BY:	Luis V.