

TYP. MASONRY WALL REINF. ELEVATION  
NO SCALE

LINTEL SCHEDULE (EXCEPT AS INDICATED OTHERWISE ON DRAWINGS)

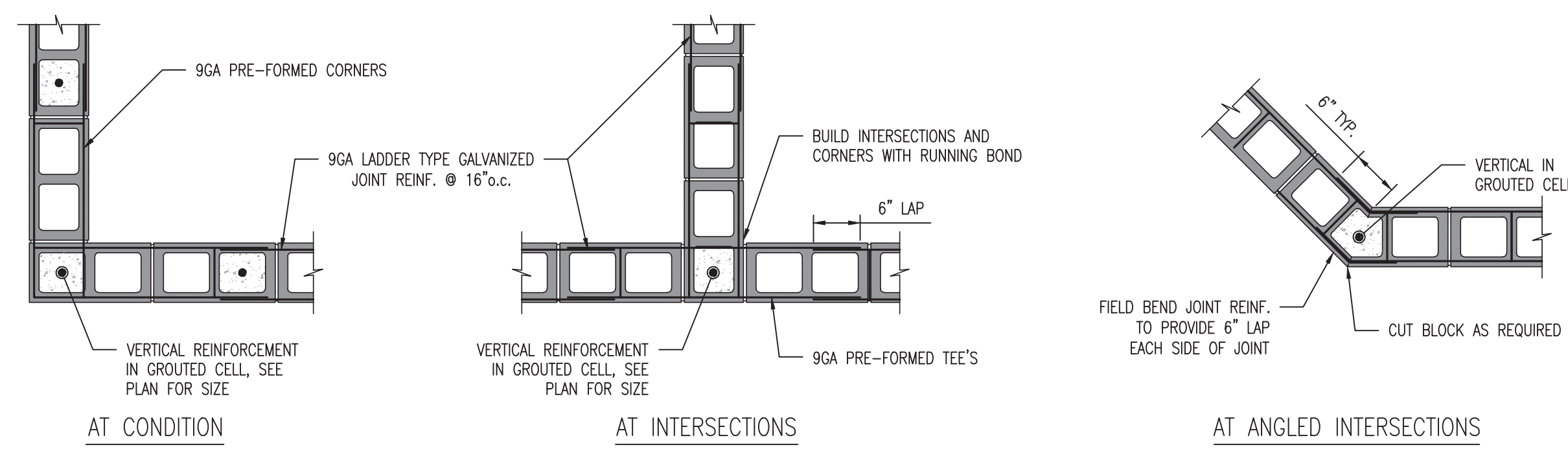
| CLEAR SPANS              | PRECAST LINTEL TYPE | DEPTH | GROUTED END BEARING | BOTTOM BARS | INTERMEDIATE BARS | TOP BARS |
|--------------------------|---------------------|-------|---------------------|-------------|-------------------|----------|
| UP TO 2'-0" (INCL.)      | PRECAST             | 8"    | 8" EA. END          | GROUT SOLID | -                 | -        |
| 2'-0" TO 3'-8" (INCL.)   | PRECAST             | 8"    | 8" EA. END          | 1 #5        | -                 | -        |
| 3'-8" TO 6'-0" (INCL.)   | PRECAST             | 16"   | 8" EA. END          | 1 #5        | -                 | -        |
| 6'-0" TO 8'-0" (INCL.)   | PRECAST             | 16"   | 16" EA. END         | 1 #5        | -                 | 1 #5     |
| 8'-0" TO 10'-0" (INCL.)  | PRECAST             | 16"   | 16" EA. END         | 1 #5        | -                 | 1 #5     |
| 10'-0" TO 12'-0" (INCL.) | PRECAST             | 24"   | 16" EA. END         | 1 #5        | -                 | 1 #5     |
| 12'-0" TO 13'-4" (INCL.) | PRECAST             | 24"   | 16" EA. END         | 1 #5        | 1 #5              | 1 #5     |
| 13'-4" TO 14'-0" (INCL.) | PRESTRESSED         | 24"   | 24" EA. END         | 1 #5        | 1 #5              | 1 #5     |
| 15'-5" TO 17'-4" (INCL.) | PRESTRESSED         | 28"   | 24" EA. END         | 1 #5        | 1 #5              | 1 #5     |

NOTES:

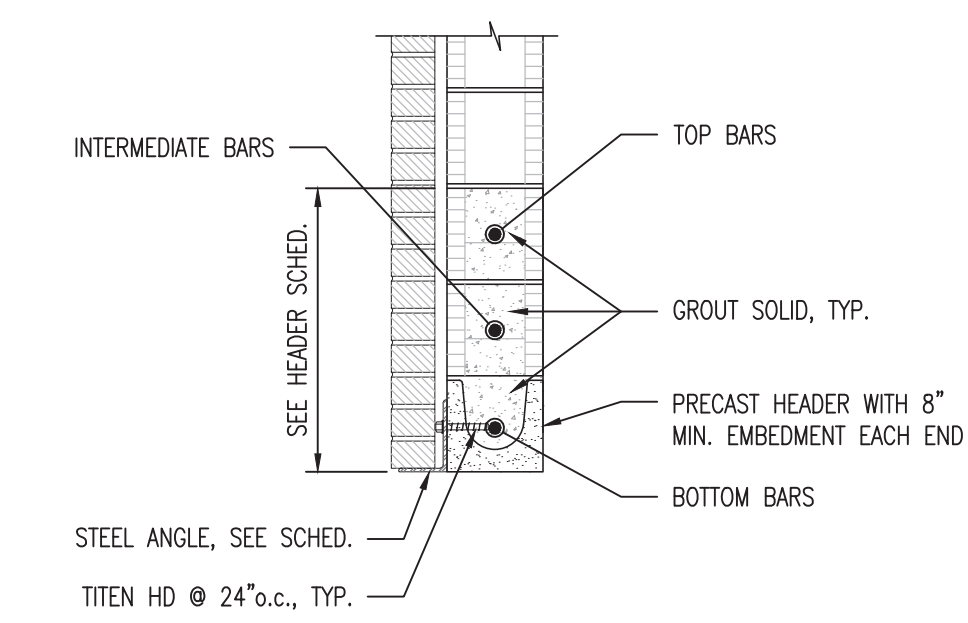
- PRECAST LINTELS SHALL BE AS MANUFACTURED BY CAST-CRETE OR APPROVED EQUIVALENT.
- AT MINIMUM PRECAST LINTELS SHALL HAVE NO LESS THAN 8" BEARING ON JAMB.
- IF FULL BEARING CANNOT BE OBTAINED, PROVIDE ANGLE BEAM SEAT WELDED SOLID TO STEEL COLUMN WITH BEARING LENGTH OF NOT LESS THAN 6" AND END REACTION OF 5 KIPS. WELD REINFORCING STEEL TO STEEL COLUMN.
- TOP REINFORCING TO BE 1/2" CLEAR FROM TOP OF LINTEL BEAM; BOTTOM REINFORCING TO BE 1/2" CLEAR FROM BOTTOM OF LINTEL BEAM.
- REINFORCING STEEL TO HAVE 1/2" CLEARANCE FROM INTERIOR FACE OF VOID.
- UNLESS APPROVED BY THE E.O.R., DO NOT NOTCH OR CUT LINTEL BEAMS FOR DUCTS, PIPES OR OTHER OPENINGS.

BRICK LINTEL SCHEDULE

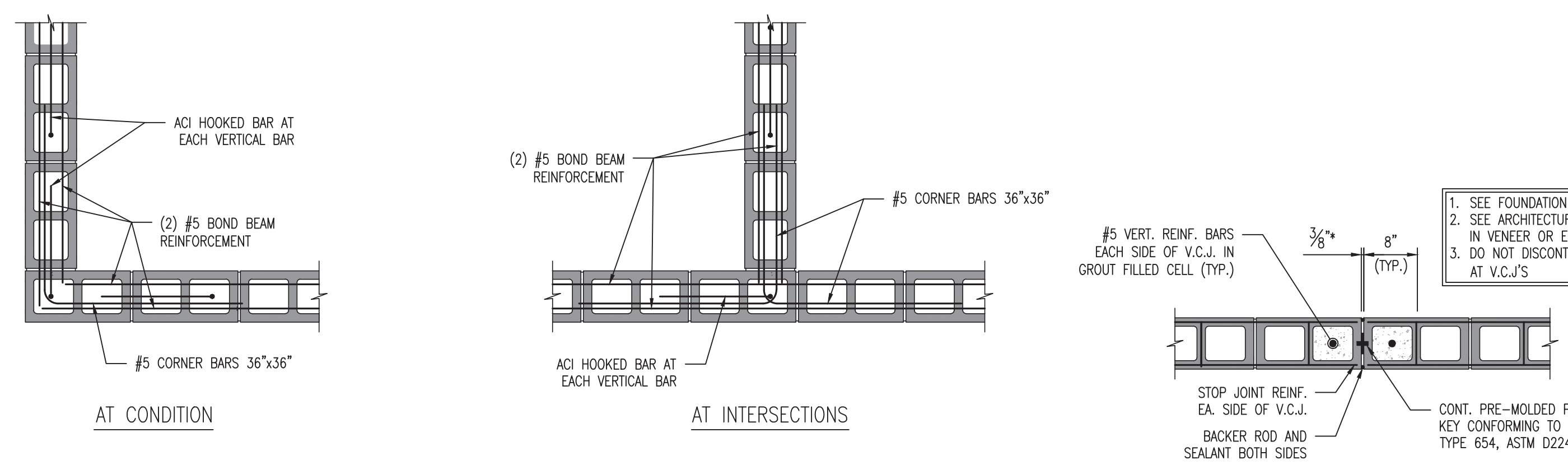
| SPANS                  | STEEL LINTEL             | END BRG.   |
|------------------------|--------------------------|------------|
| UP TO 2'-0" (INCL.)    | 1-3/2"x3/8" FLAT BAR     | 6" EA. END |
| 2'-0" TO 4'-0" (DO.)   | 1-L3/2"x3/8"x3/8"        | 8" (DO.)   |
| 4'-0" TO 6'-0" (DO.)   | 1-B4"x3/8"x3/8" (L.L.V.) | 10" (DO.)  |
| 6'-0" TO 8'-0" (DO.)   | 1-B5"x3/8"x3/8" (L.L.V.) | 12" (DO.)  |
| 8'-0" TO 10'-0" (DO.)  | 1-B5"x3/8"x3/8" (L.L.V.) | 14" (DO.)  |
| 10'-0" TO 12'-0" (DO.) | 1-B6"x3/8"x3/8" (L.L.V.) | 16" (DO.)  |
| 12'-0" TO 14'-0" (DO.) | 1-B6"x3/8"x3/8" (L.L.V.) | 16" (DO.)  |
| 14'-0" TO 16'-0" (DO.) | 1-B6"x4"x3/8" (L.L.V.)   | 16" (DO.)  |



TYPICAL MASONRY WALL REINFORCING DETAILS  
NO SCALE



TYPICAL HEADER SCHEDULE  
NO SCALE



BOND BEAM REINFORCING DETAILS  
NO SCALE

VERTICAL CONTROL JOINT DETAIL  
NO SCALE

CALIBER CAPITAL CARWASH  
LAKE WALES, FLORIDA  
MASONRY DETAILS

**CONN ARCHITECTS & ASSOCIATES**  
194-C Buford Blvd. in Tallahassee, Florida 32308 • Phone/Fac: 909-678-6784  
www.connandassociates.com • License No. AA-C001662

DATE: APR. 27, 2020  
DRAWN BY: LMA  
REVISED:  
JOB NO.: 19-249-1  
SHEET NUMBER: S4.1

**KEVER | MCKEE ENGINEERING**  
3370 Capital Circle NE, Ste. F  
Tallahassee, Florida 32308  
Office: 850.727.5367  
Authorization No. 31293  
Patrick M. McKee, P.E. FPE#63122

CONSTRUCTION DOCUMENTS  
 100% CONSTRUCTION DOCUMENTS