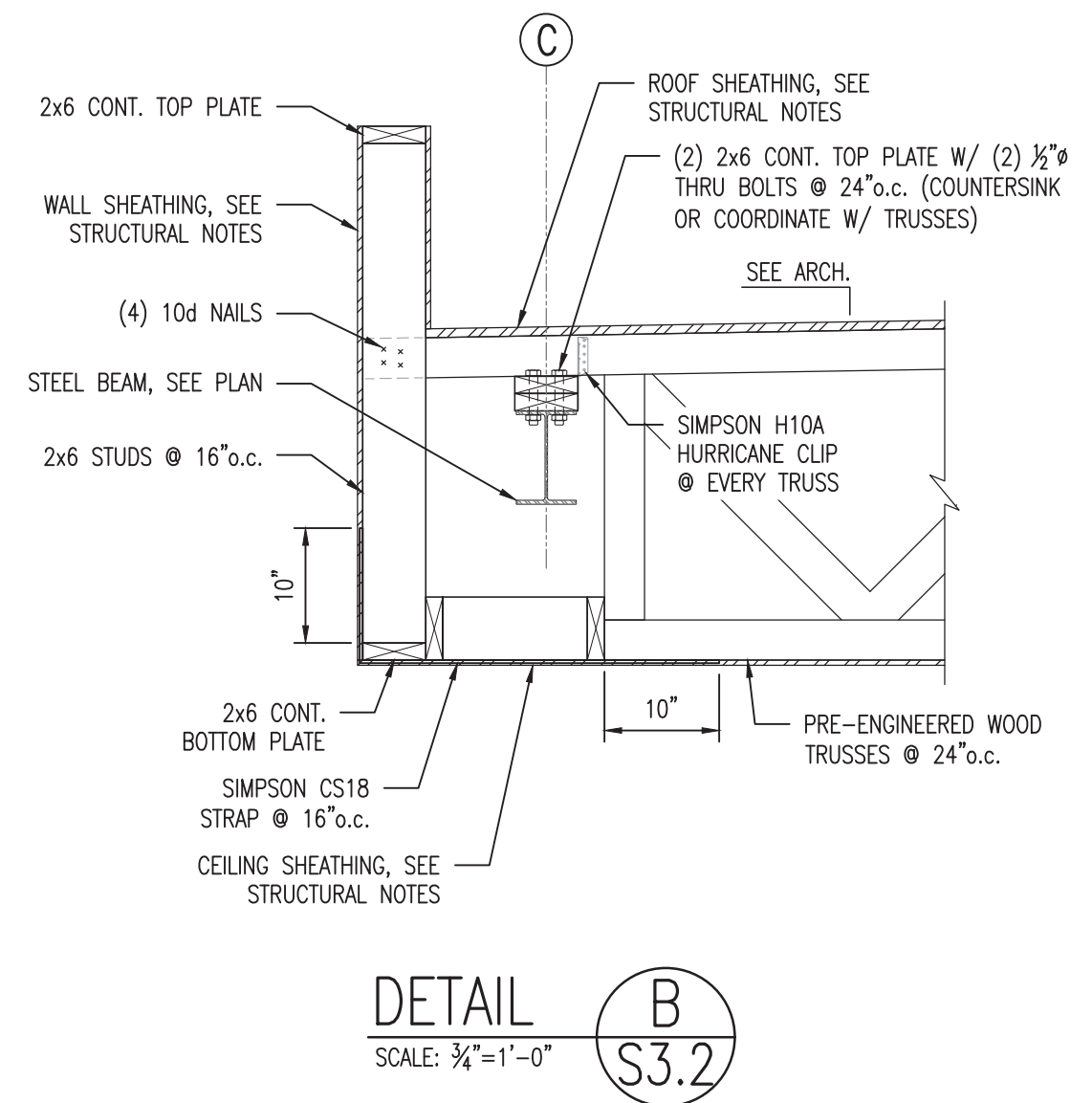
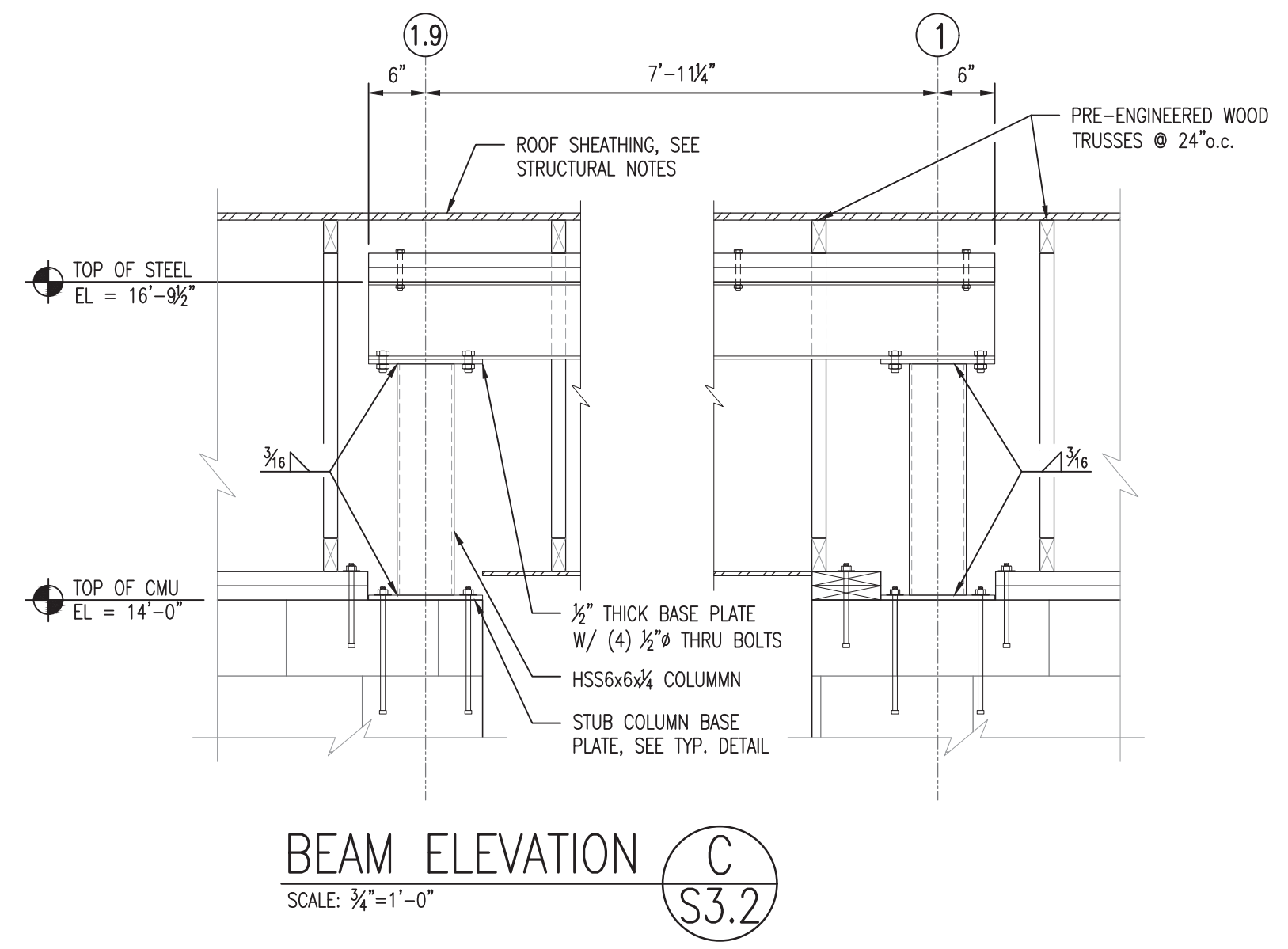


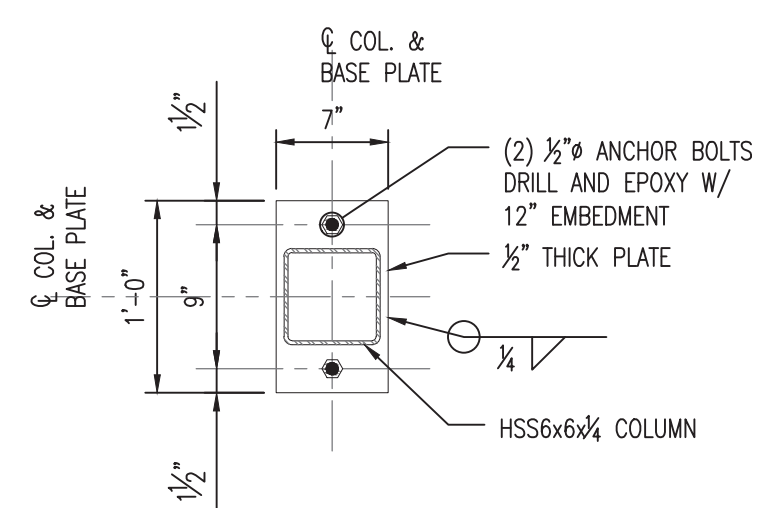
BEAM ELEVATION A
SCALE: 3/4"=1'-0"
S3.2



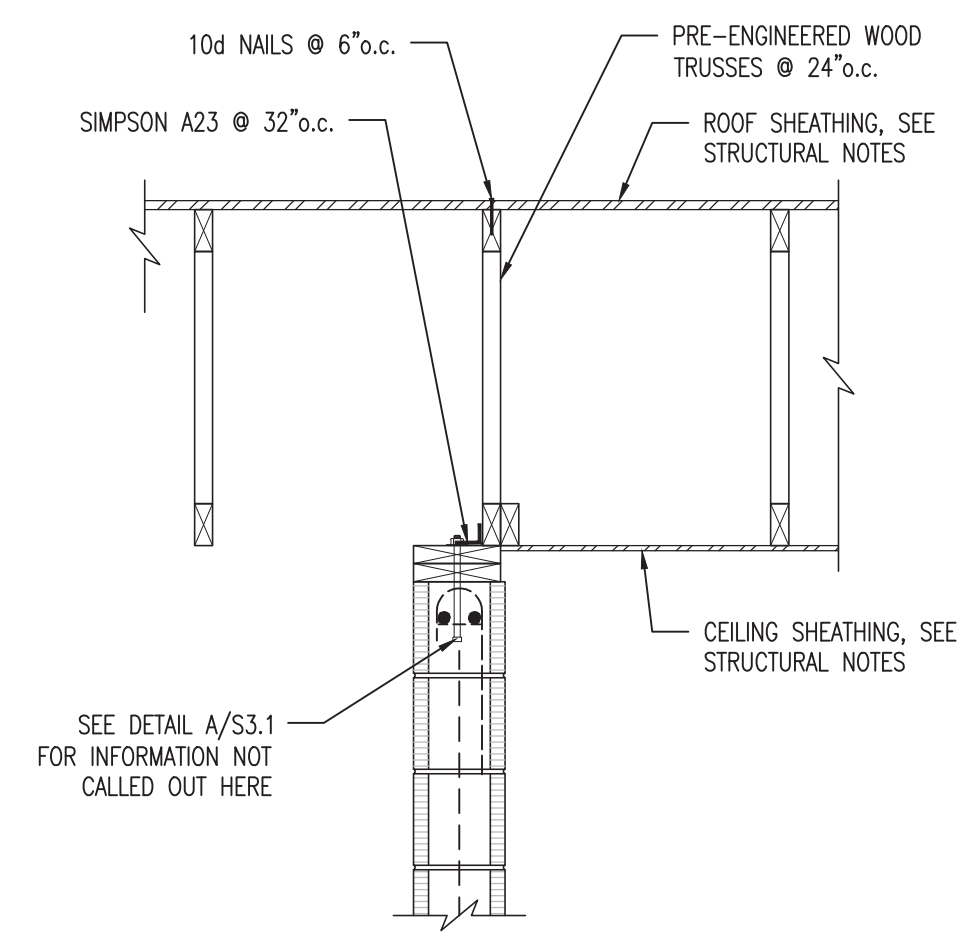
DETAIL B
SCALE: 3/4"=1'-0"
S3.2



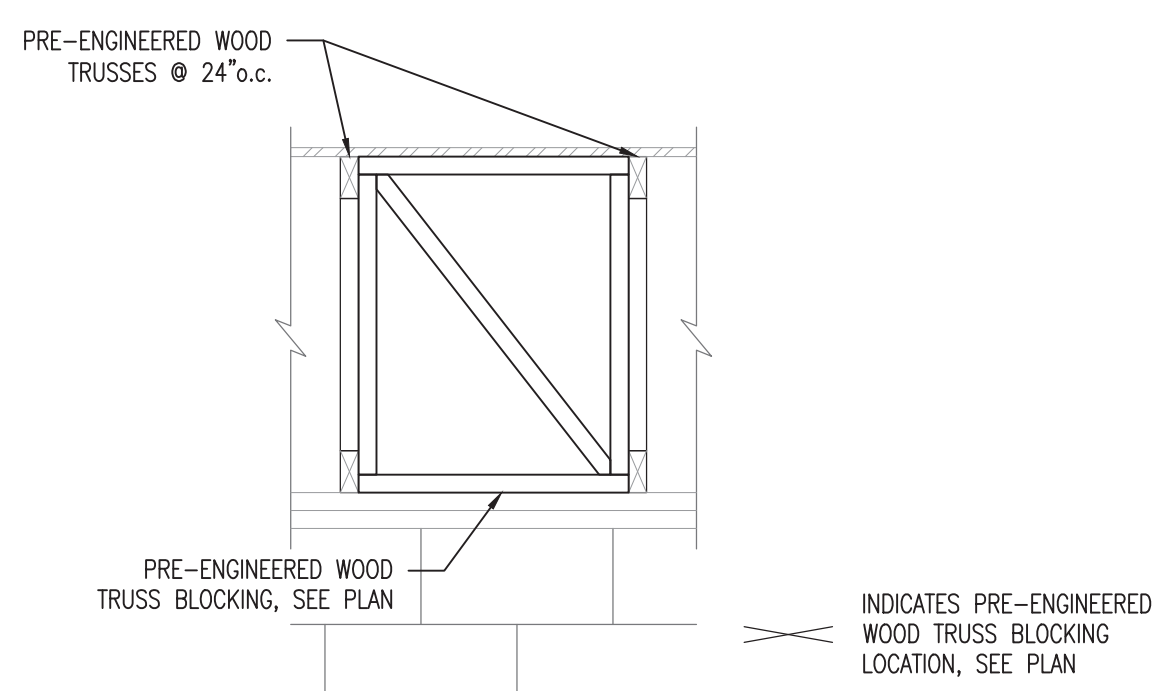
BEAM ELEVATION C
SCALE: 3/4"=1'-0"
S3.2



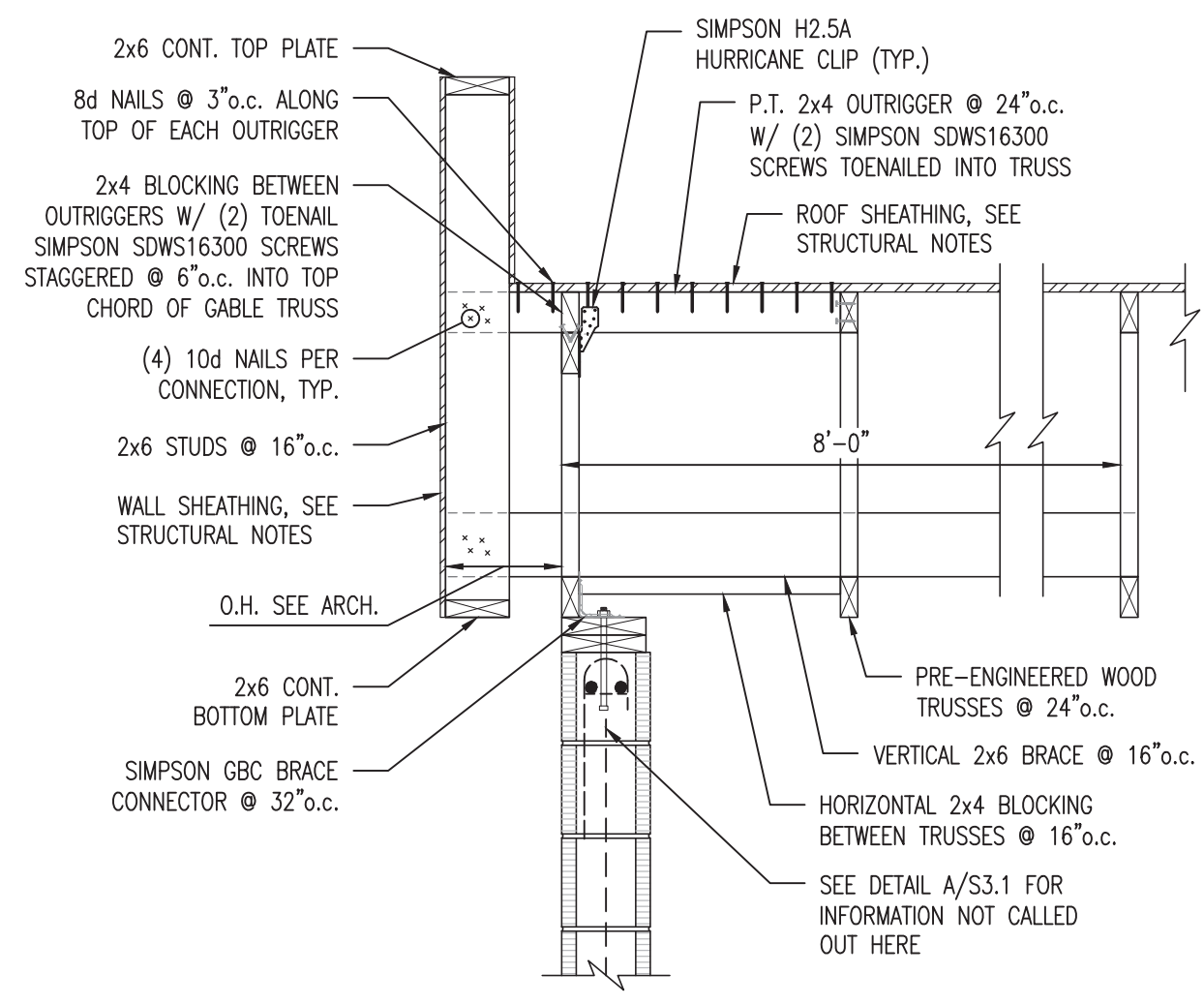
STUB COLUMN BASE PLATE DETAIL
SCALE: 1"=1'-0"



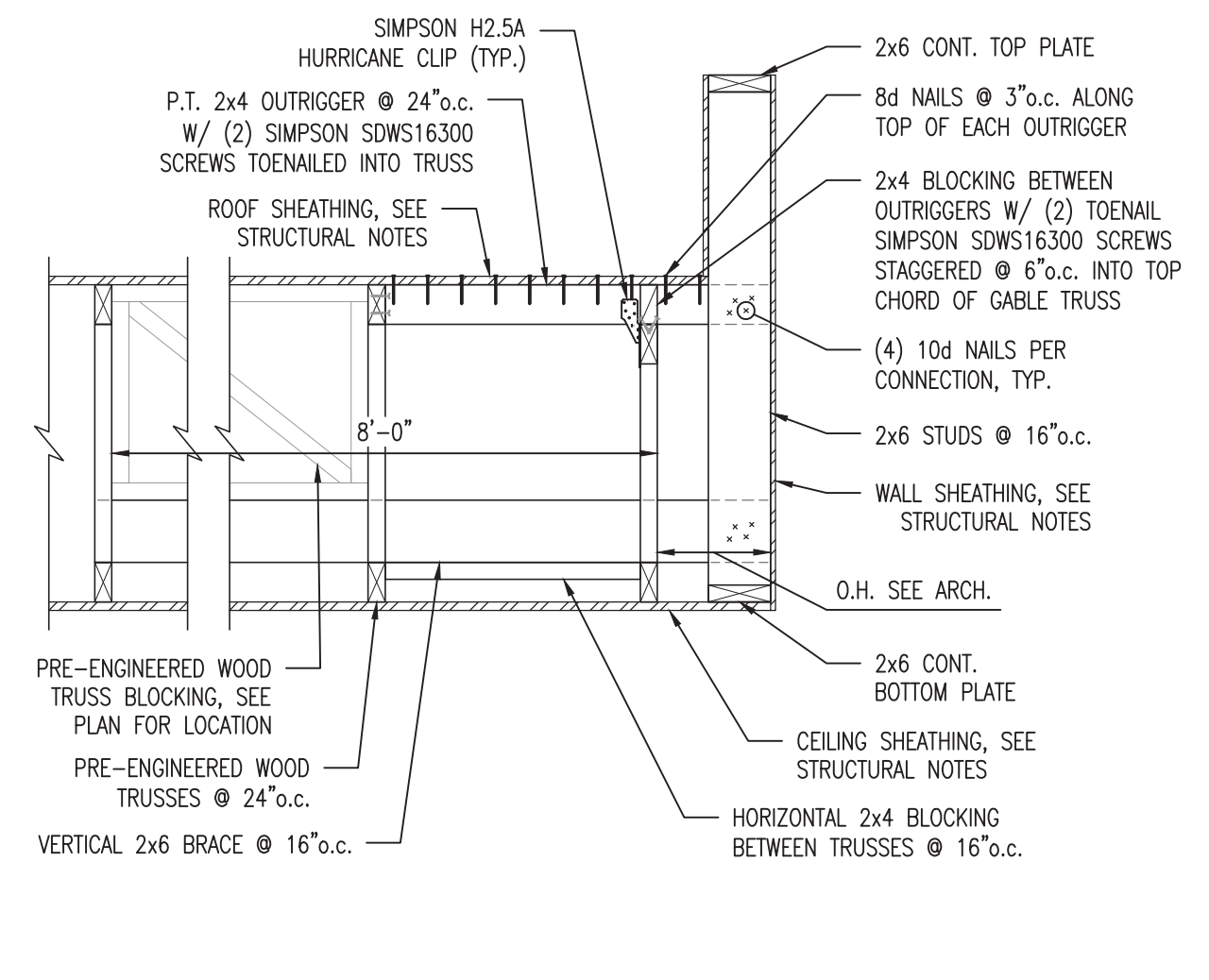
TYP. EXTERIOR WALL SECTION D
SCALE: 3/4"=1'-0"
S3.2



TRUSS BLOCKING ELEVATION E
SCALE: 3/4"=1'-0"
S3.2



GABLE DETAIL F
SCALE: 3/4"=1'-0"
S3.2



GABLE DETAIL G
SCALE: 3/4"=1'-0"
S3.2

CALIBER CAPITAL CARWASH
LAKE WALES, FLORIDA

STRUCTURAL DETAILS



DATE	APR. 27, 2020
DRAWN BY	LMA
REVISIONS	
JOB NO.	19-249-1
SHEET NUMBER	S3.2



COPYRIGHT © 2020 CONN ARCHITECTS & ASSOCIATES, INC. ALL RIGHTS RESERVED. DRAWINGS IN THIS SET ARE THE PROPERTY OF CONN ARCHITECTS & ASSOCIATES, INC. NO PART OF THESE DOCUMENTS MAY BE REPRODUCED, STORED IN A RETRIEVAL SYSTEM, OR TRANSMITTED IN ANY FORM OR BY ANY MEANS, ELECTRONIC, MECHANICAL, PHOTOCOPIING, RECORDING, OR OTHERWISE, WITHOUT THE PRIOR WRITTEN PERMISSION OF CONN ARCHITECTS & ASSOCIATES, INC.

100% CONSTRUCTION DOCUMENTS