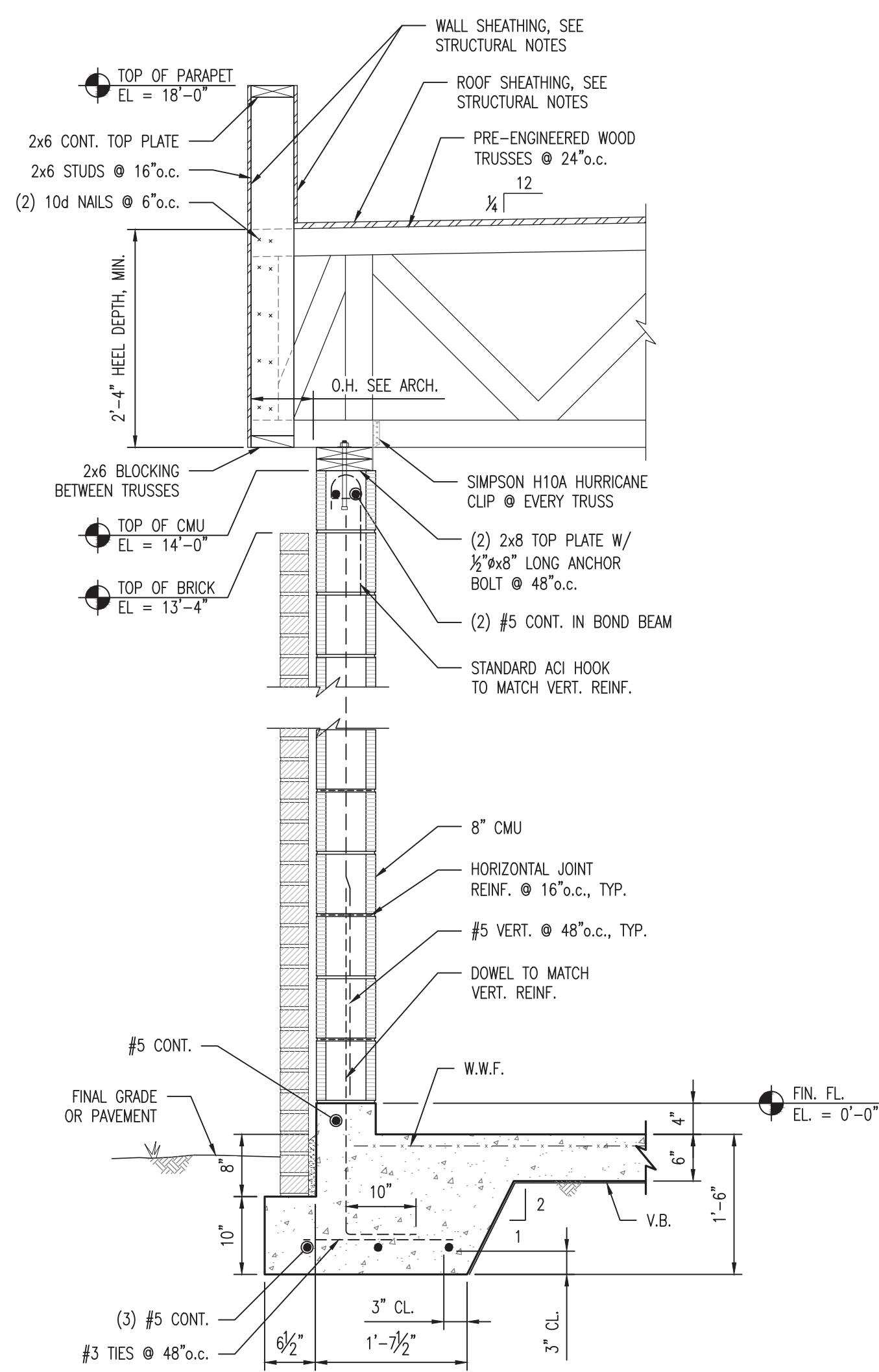
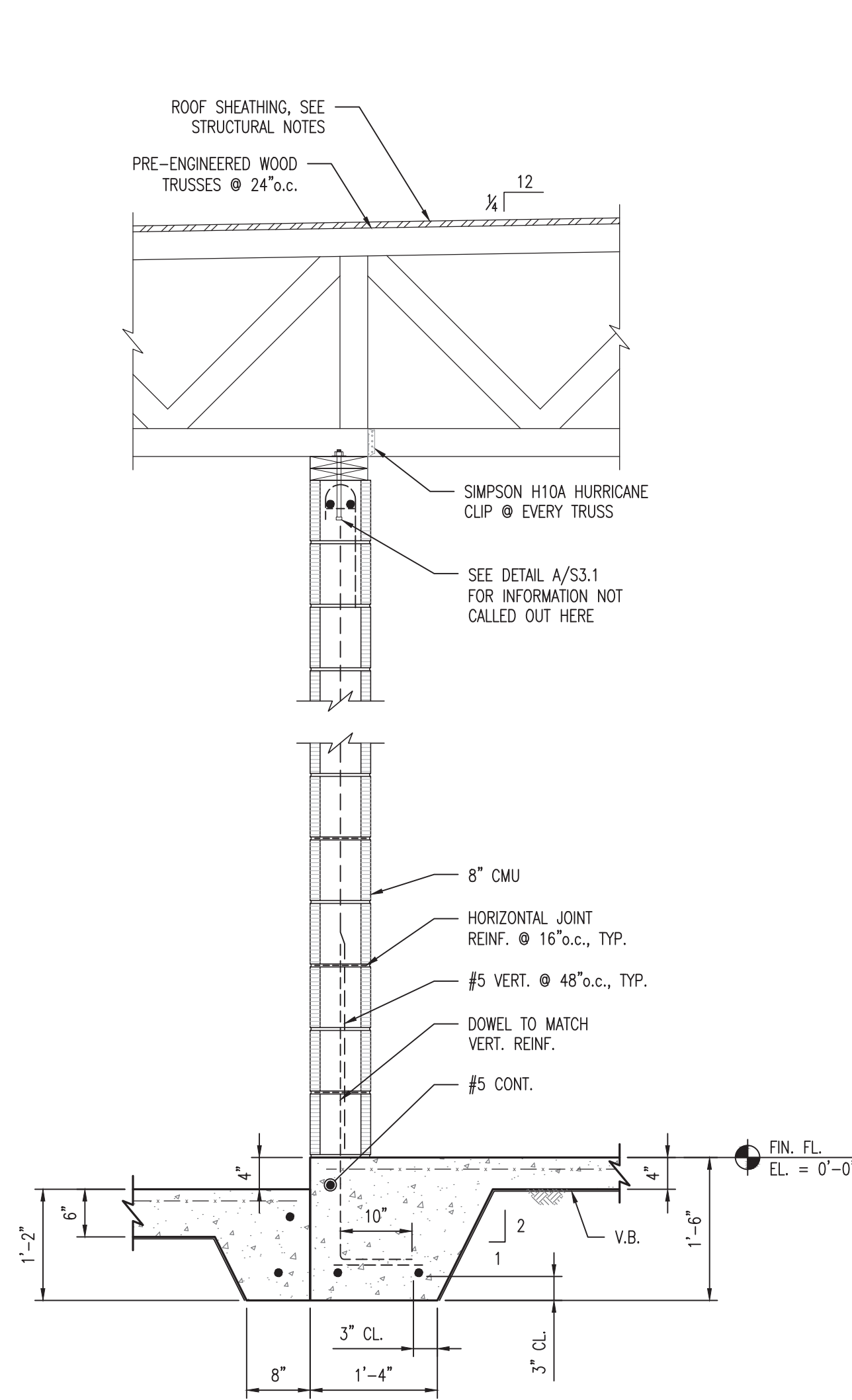


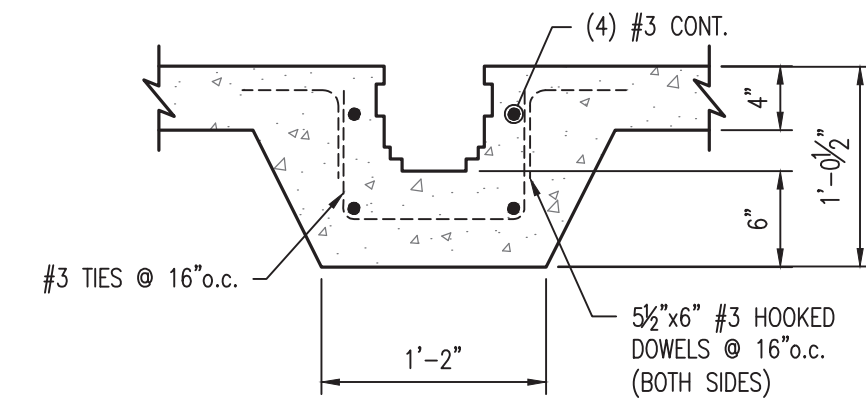
TYP. EXTERIOR WALL SECTION **A**
SCALE: 3/4"=1'-0" **S3.1**



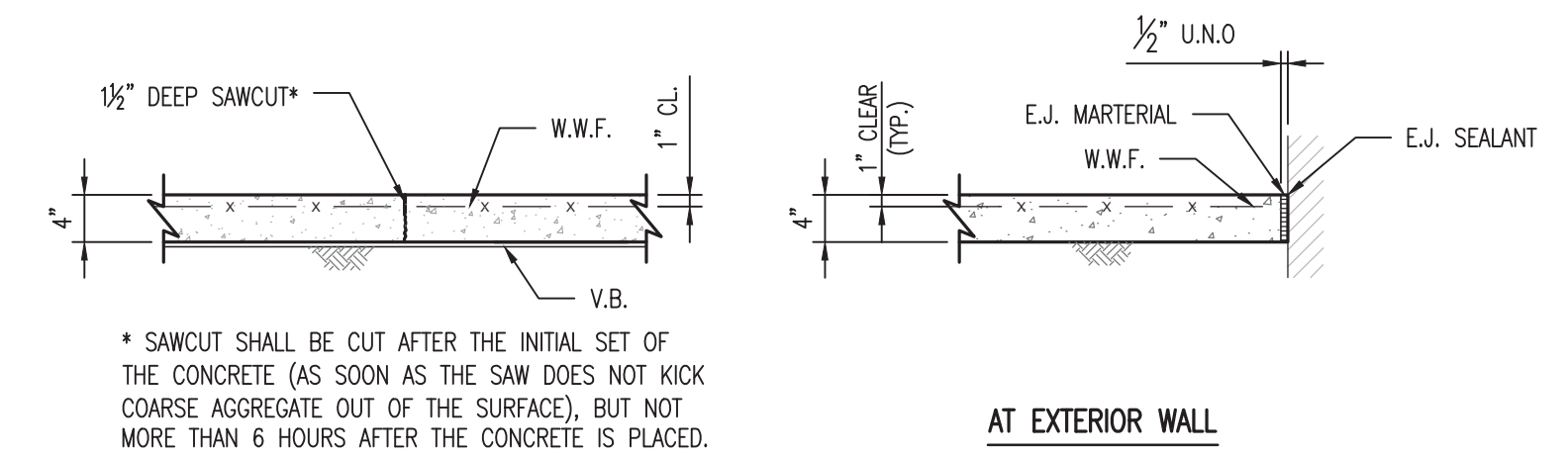
TYP. EXTERIOR WALL SECTION **B**
SCALE: 3/4"=1'-0" **S3.1**



TYP. INTERIOR WALL SECTION **C**
SCALE: 3/4"=1'-0" **S3.1**

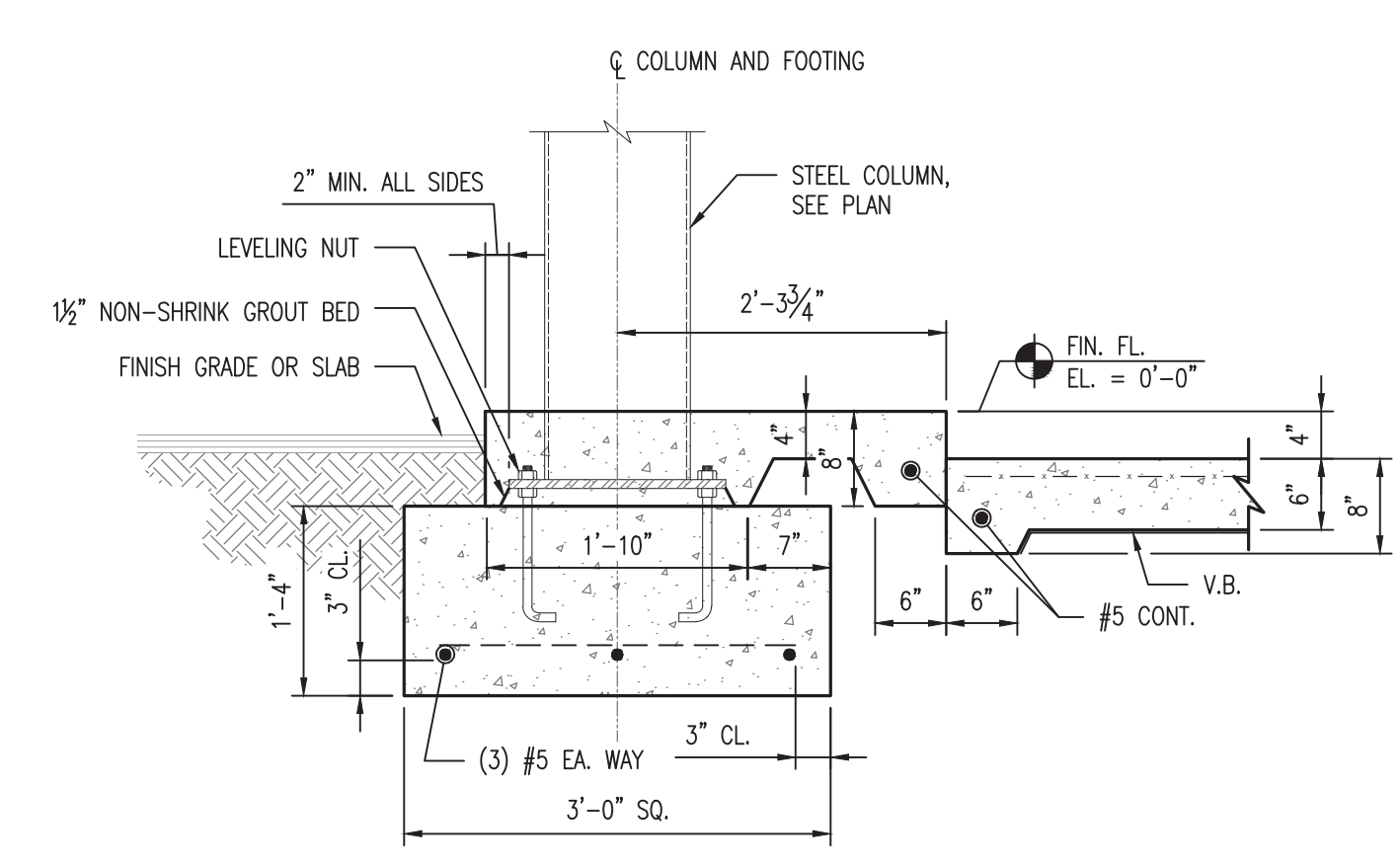


TYPICAL TRENCH DETAIL **H**
SCALE: 1"=1'-0" **S3.1**

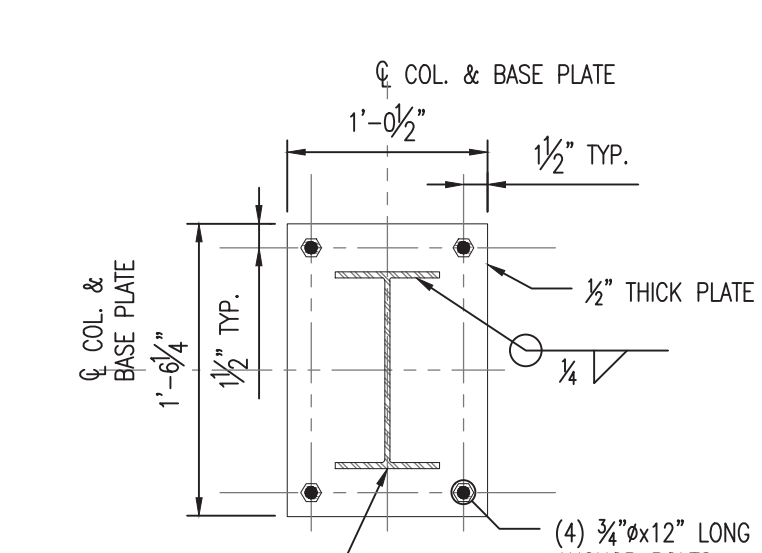


INDICATED BY S.C.J. ON PLAN
INDICATED BY 1/2" E.J. ON PLAN
SAWCUT JOINTS
EXPANSION JOINTS

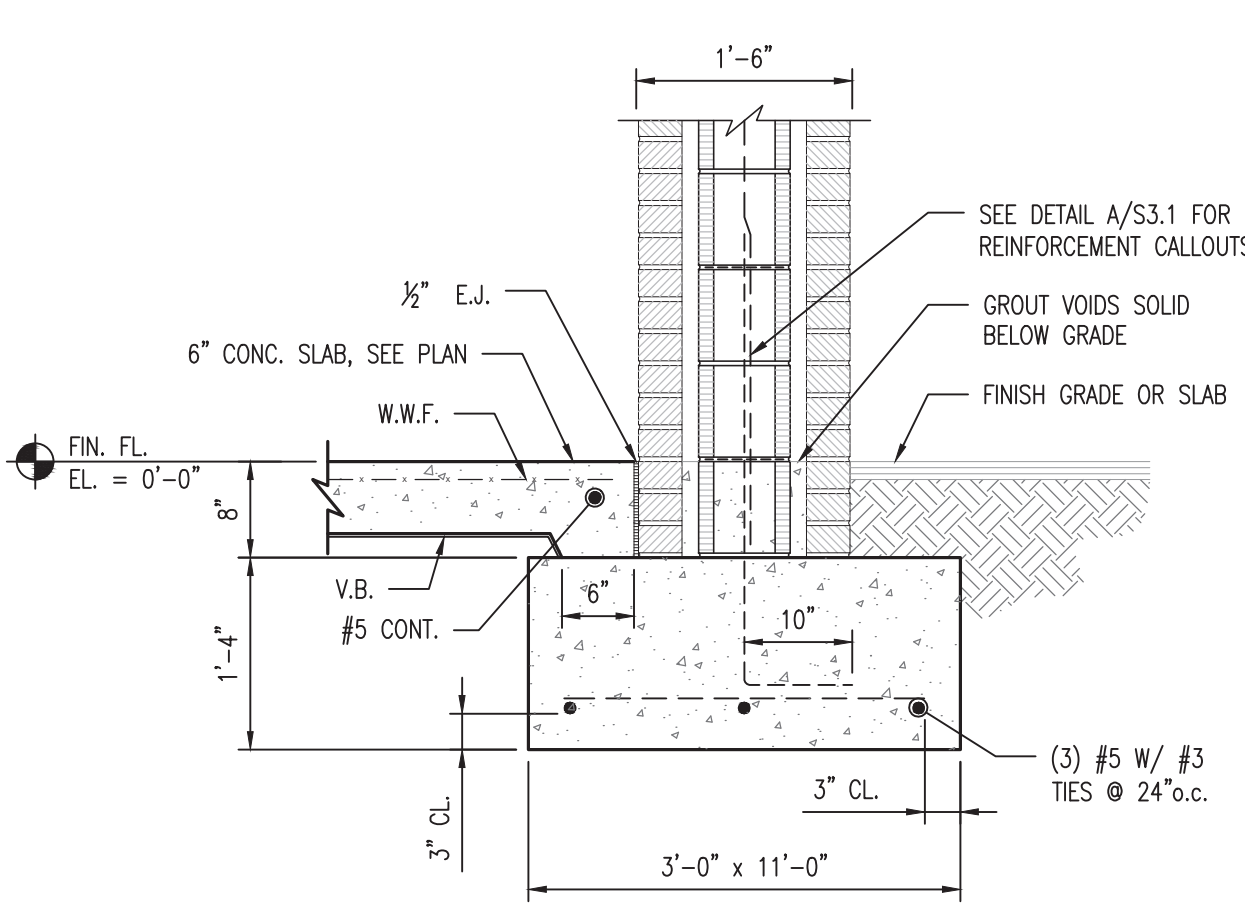
TYP. SLAB ON GRADE DETAILS
NO SCALE



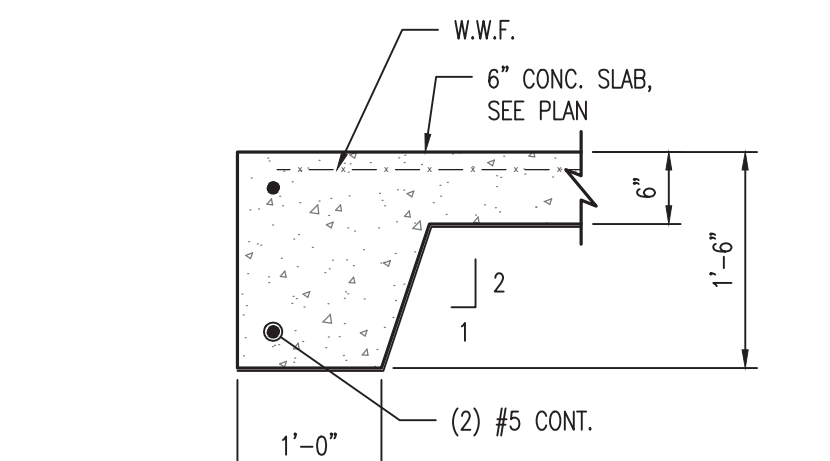
COLUMN FOOTING DETAIL **D**
SCALE: 3/4"=1'-0" **S3.1**



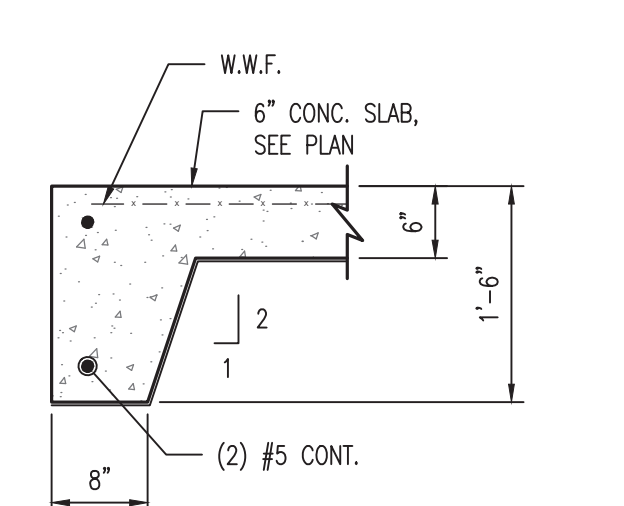
BASE PLATE DETAIL
SCALE: 1"=1'-0"



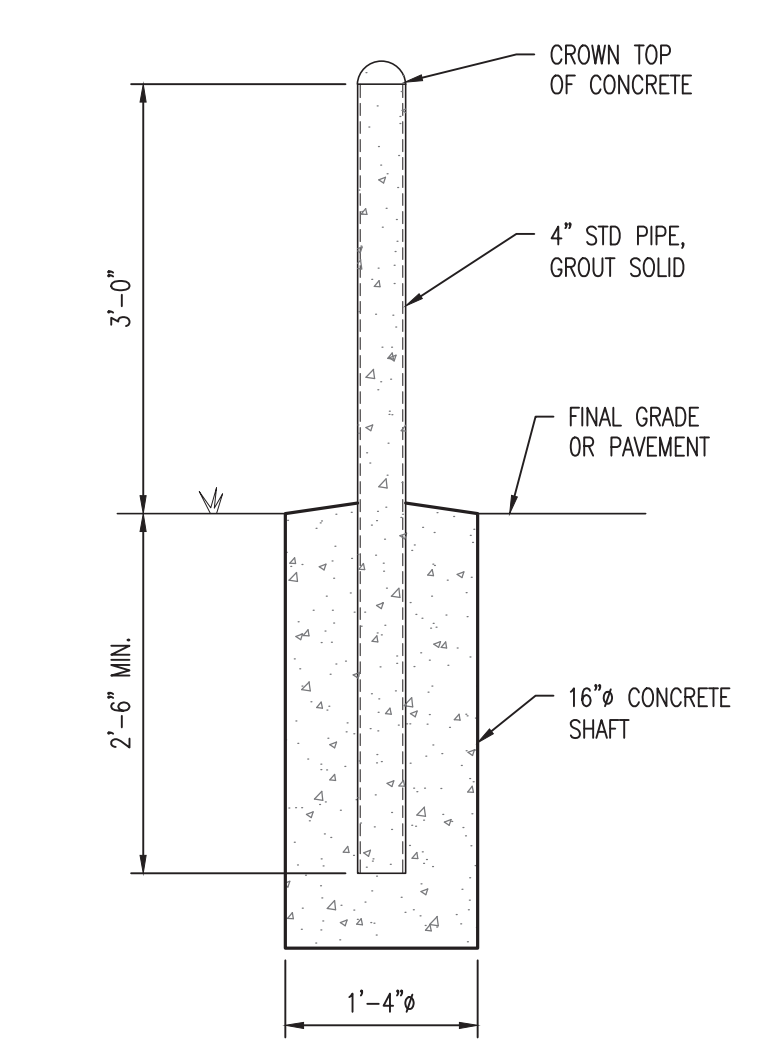
DETAIL **E**
SCALE: 3/4"=1'-0" **S3.1**



TYP. TURNDOWN DETAIL **F**
SCALE: 3/4"=1'-0" **S3.1**



8" TURNDOWN DETAIL **G**
SCALE: 3/4"=1'-0" **S3.1**



TYP. BOLLARD DETAIL **J**
SCALE: 3/4"=1'-0" **S3.1**

CONSTRUCTION DOCUMENTS
 100% CONSTRUCTION DOCUMENTS
 ALL RIGHTS RESERVED. NO PART OF THIS DOCUMENT MAY BE REPRODUCED, STORED IN A RETRIEVAL SYSTEM, OR TRANSMITTED IN ANY FORM OR BY ANY MEANS, ELECTRONIC, MECHANICAL, PHOTOCOPIING, RECORDING, OR OTHERWISE, WITHOUT THE PRIOR WRITTEN PERMISSION OF CONN ARCHITECTS & ASSOCIATES, INC.

CALIBER CAPITAL CARWASH
 LAKE WALES, FLORIDA
 STRUCTURAL DETAILS

CONN ARCHITECTS
 & ASSOCIATES
 190-C Buford Blvd., Tallahassee, Florida 32308 • Phone/Fac: 909-678-6784
 www.connandassociates.com • License No. AA-C001662

DATE: APR. 27, 2020
 DRAWN BY: LMA
 REVISED:
 JOB NO.: 19-249-1
 SHEET NUMBER: S3.1

KEVER | MCKEE
ENGINEERING
 3370 Capital Circle NE, Ste. F
 Tallahassee, Florida 32308
 Office: 850.727.5367
 Authorization No. 31293
 Patrick M. McKee, P.E. FPE#63122