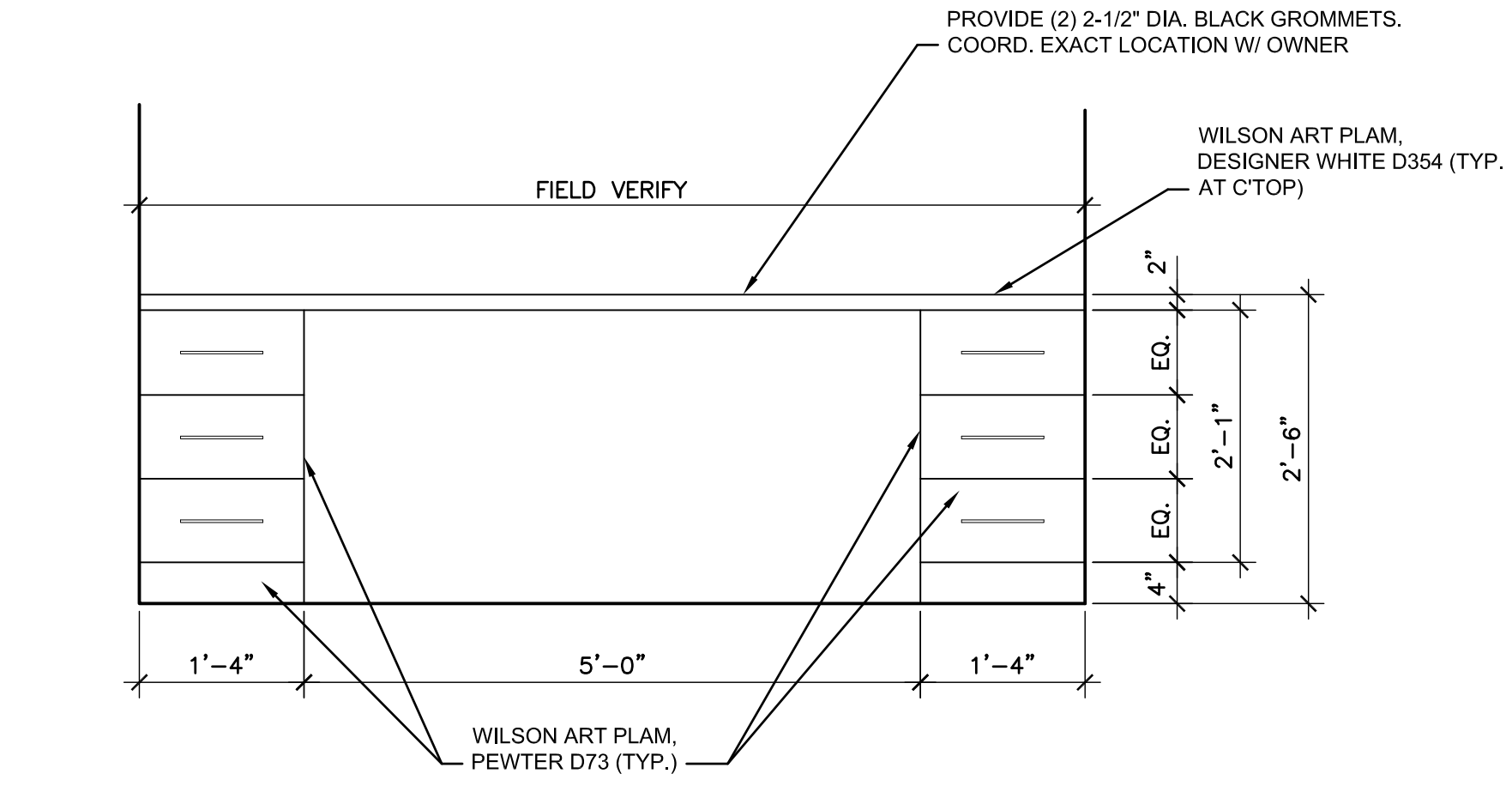
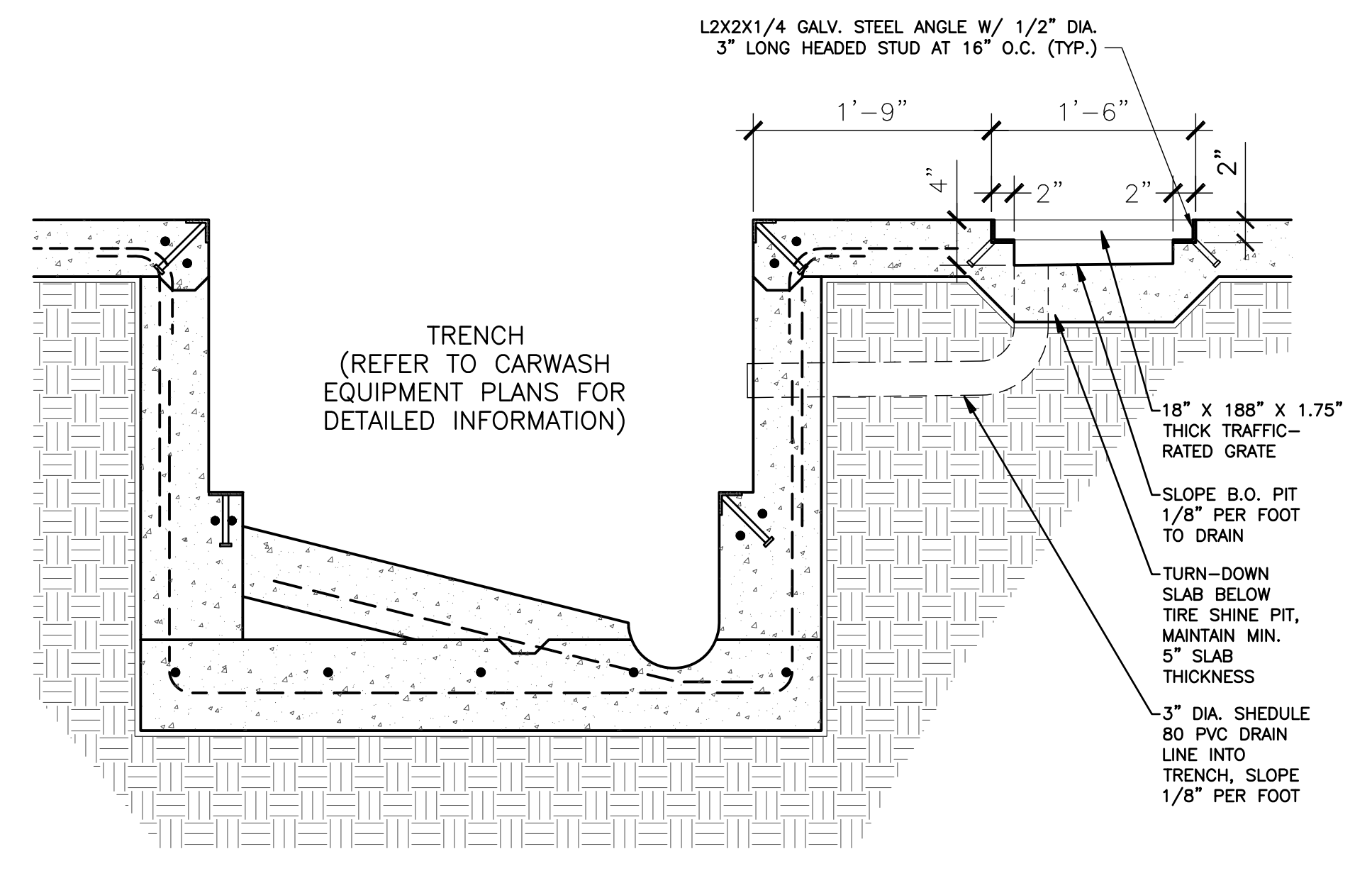


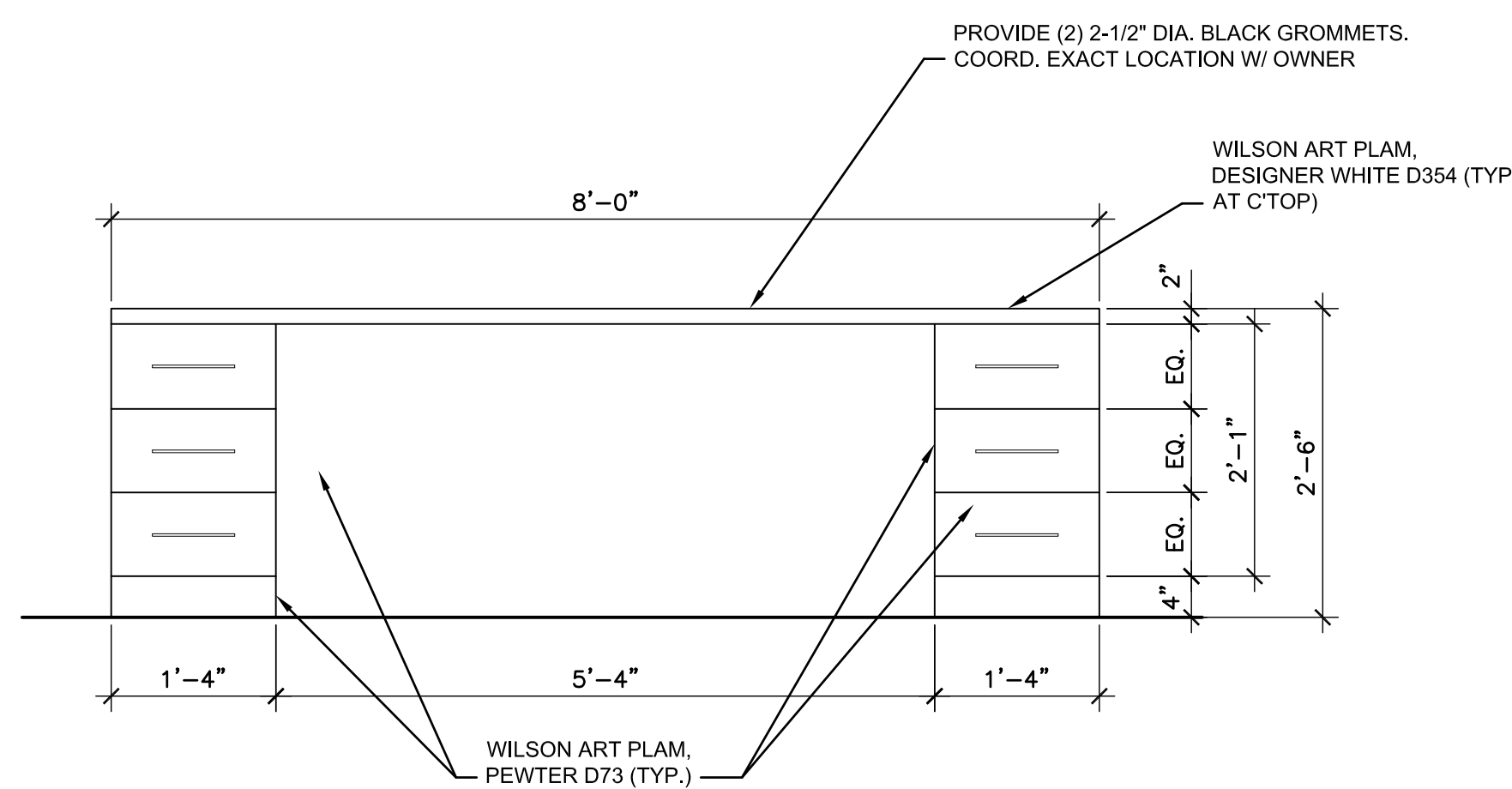
1 INTERIOR ELEVATION
A7.0 SCALE 3/8" = 1'-0" BLOW / DRYING AREA

2 INTERIOR ELEVATION
A7.0 SCALE 3/8" = 1'-0" CAR WASH TUNNEL

3 TIRE SHINE PIT DETAIL
A7.0 SCALE 1" = 1'-0"



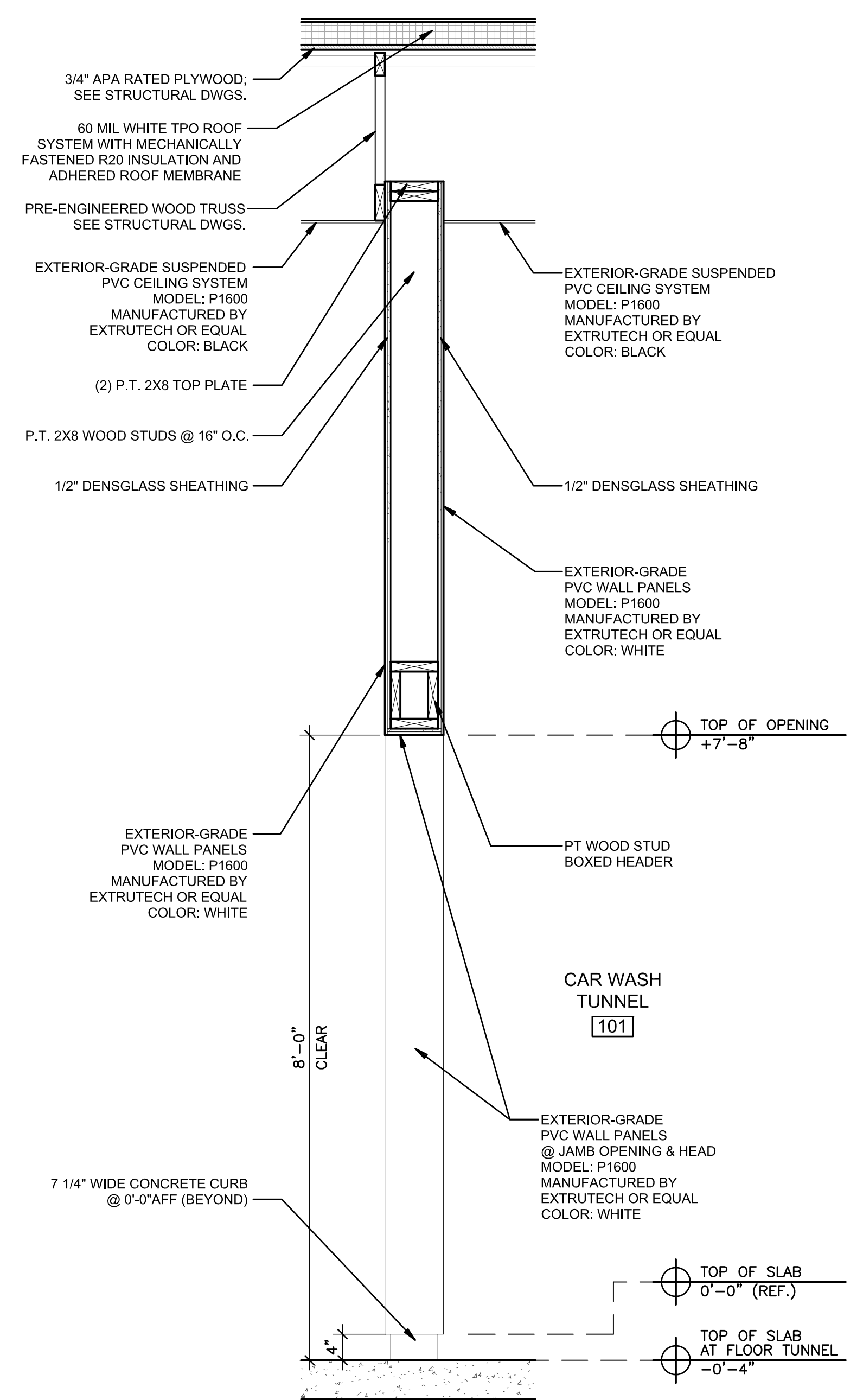
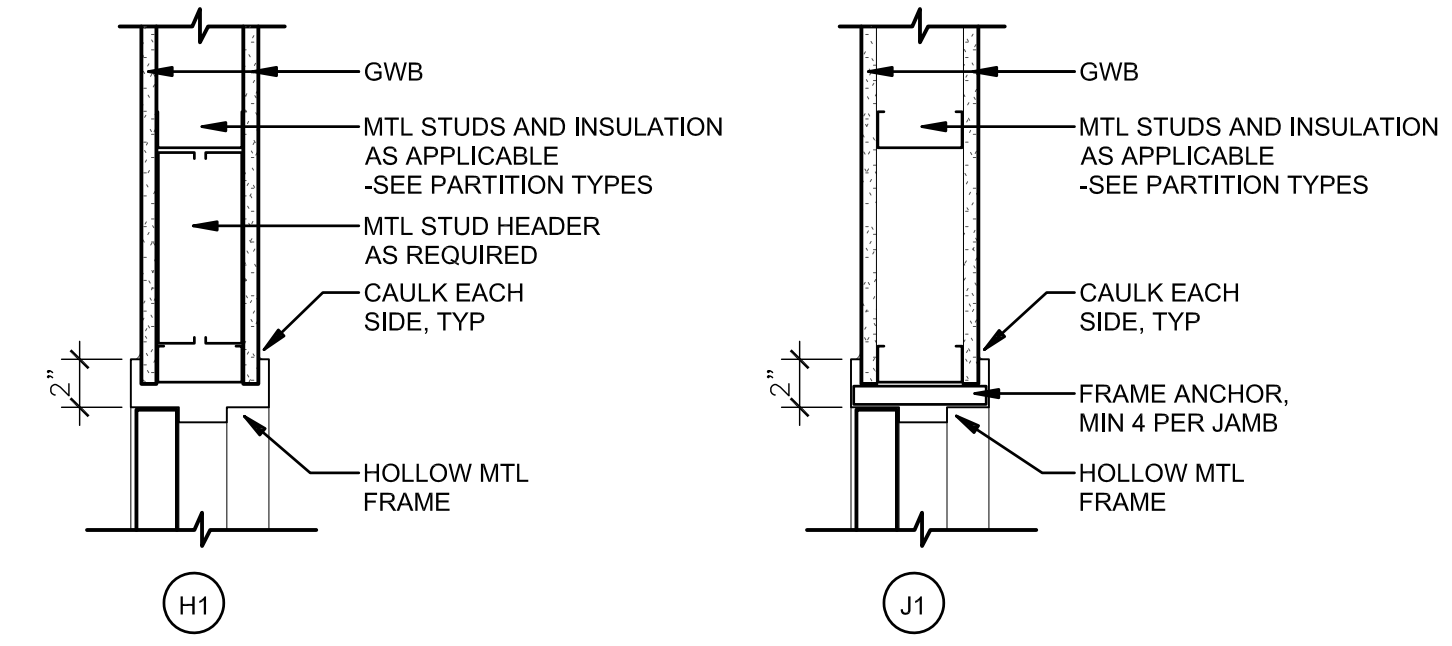
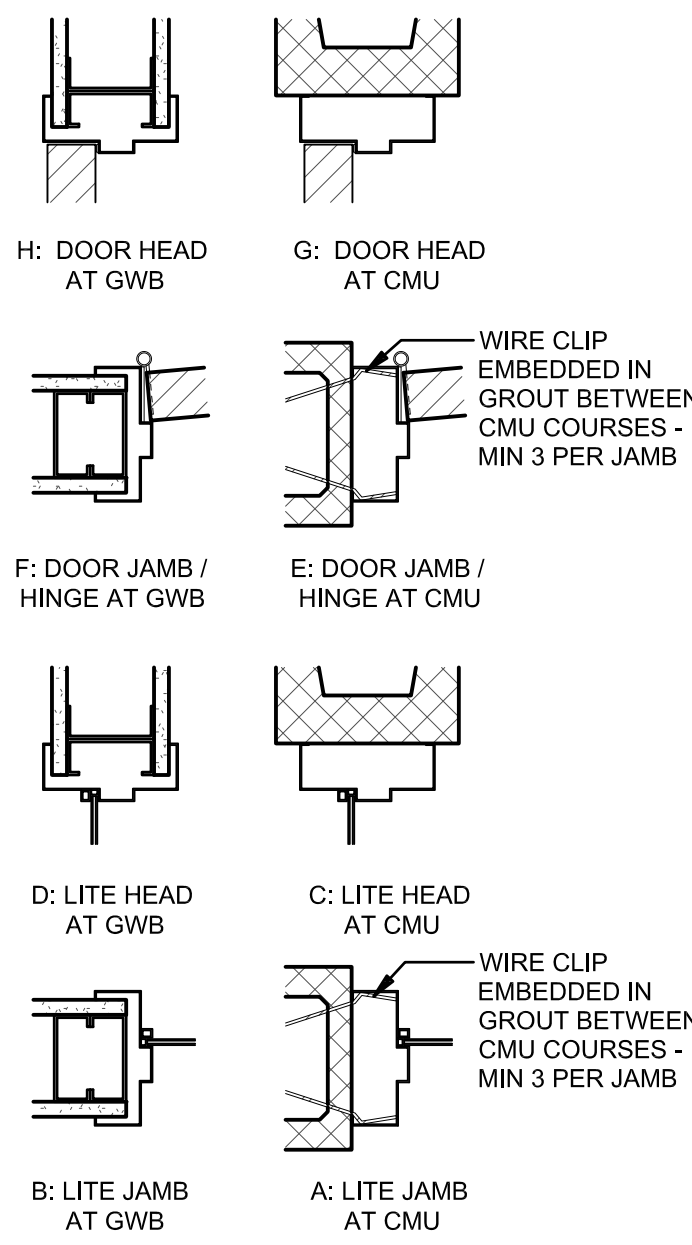
5 DESK ELEVATION
A7.0 SCALE 3/8" = 1'-0" OFFICE



6 DESK ELEVATION
A7.0 SCALE 3/8" = 1'-0" CONTROL CENTER

GENERAL DOOR NOTES:

- WOOD DOORS TO RECEIVE PRE-FINISHED STAIN (STANDARD OF QUALITY: OSKOSH 600-101 OR EQUAL). H.M. DOORS AND FRAMES TO BE SHOP PRIMED AND FIELD PAINTED. LOWER 24" OF EXTERIOR FRAMES AND H.M. DOORS TO RECEIVE ADDITIONAL COAT OF FIELD APPLIED PRIMER BEFORE PAINTING.
- ALL DOOR HARDWARE TO BE HANDICAP ACCESSIBLE.
- PROTECTION PLATE: SEE SPECIFICATIONS FOR KICK PLATES, MOP PLATES, AND ARMOR PLATES. LOCATE PER HARDWARE SETS.
- UNLESS OTHERWISE NOTED, ALL DOOR THICKNESSES TO BE 1 3/4".
- SEE SIGNAGE PLAN/DETAILS FOR SIGNAGE INFORMATION.
- SEE HARDWARE SPECIFICATION FOR DOOR CLOSER LOCATIONS.
- ALL LOCKING EXIT DOORS ARE TO HAVE EXIT DEVICES (PANIC HARDWARE), MUST NOT BE UNLOCKED BY KEY FROM THE INSIDE OF THE BUILDING, AND MUST SWING IN THE DIRECTION OF EGRESS.
- PROVIDE CATEGORY "A" POSITIVE PRESSURE RATED DOORS - SEE SPECIFICATIONS.
- EXTERIOR H.M. DOORS AND FRAMES TO BE GALVANIZED WITH TOP AND BOTTOM EDGES CLOSED FLUSH.
- GENERAL CONTRACTOR TO ENSURE THAT EXTERIOR DOOR GLAZING MATCHES ALL OTHER EXTERIOR GLAZING IN PROJECT.
- ALL VISION PANELS IN METAL DOORS AND RATED WOOD DOORS SHALL HAVE METAL FRAMES AND STOPS. PROVIDE FIRE RATED GLASS AT ALL RATED WALLS, TEMPERED IN ALL OTHER LOCATIONS. PROVIDE 1" INSULATED GLAZING AT EXTERIOR LOCATIONS. PROVIDE DOUBLE GLAZING FOR SOUND CONTROL PER REMARKS COLUMN.



4 WALL SECTION
A7.0 SCALE 3/4" = 1'-0"

CALIBER CAPITAL CARWASH
LAKE WALES, FLORIDA

INTERIOR ELEVATIONS, WALL SECTION AND DETAILS

CONN + ARCHITECTS
1960-C Buford Boulevard Tallahassee, Florida 32308 | 850-878-9794
www.connarchitects.com | Lic. No. AA-C001662

DATE: APR. 27, 2020
DRAWN BY: DBC
REVISIONS:
JOB NO.: 19-249-1
DATE: SHEET NUMBER: A7.0

CONN + ARCHITECTS, INC. IS AN EQUAL OPPORTUNITY AFFIRMATIVE ACTION EMPLOYER. WE DO NOT DISCRIMINATE ON THE BASIS OF RACE, GENDER, RELIGION, NATIONAL ORIGIN, ANCESTRY, COLOR, SEX, AGE, SEXUAL ORIENTATION, OR ANY OTHER PROTECTED CHARACTERISTICS. ANY PART OF THESE DOCUMENTS MAY BE REPRODUCED, STORED IN A RETRIEVAL SYSTEM, OR TRANSMITTED IN ANY FORM OR BY ANY MEANS, ELECTRONIC, MECHANICAL, PHOTOCOPIING, RECORDING, OR OTHERWISE, WITHOUT THE PRIOR WRITTEN PERMISSION OF CONN + ARCHITECTS, INC.