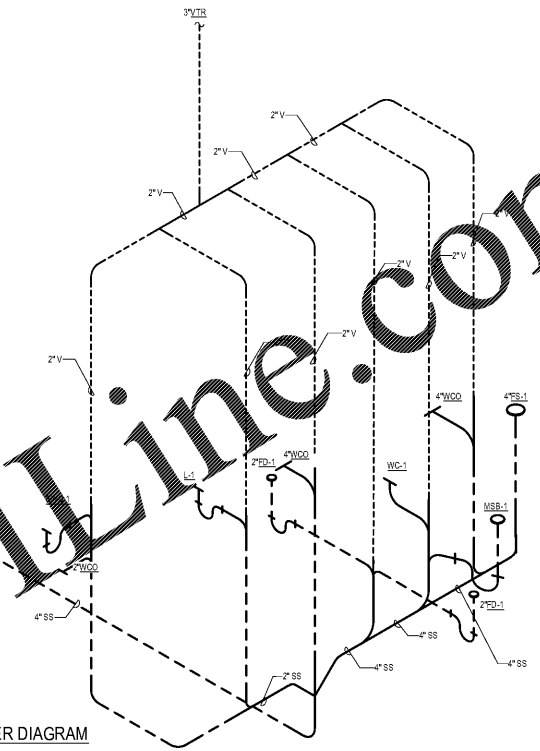


**NOT FOR
CONSTRUCTION**

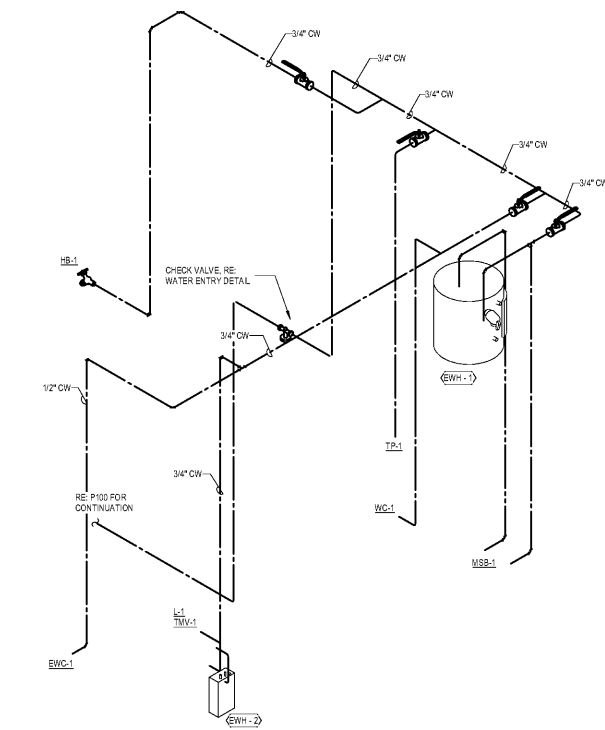
COPYRIGHT
THESE PLANS ARE AN INSTRUMENT OF SERVICE
AND ARE THE PROPERTY OF GALLOWAY, AND MAY
NOT BE DUPLICATED, REPRODUCED, OR
REPRODUCED WITHOUT THE WRITTEN CONSENT
OF GALLOWAY. COPYRIGHTS AND INFRINGEMENTS
WILL BE ENFORCED AND PROSECUTED.

**Public
Storage**

Order Plans @ www.LDILine.com



1 SEWER AND VENT RISER DIAGRAM



2 DOMESTIC WATER RISER DIAGRAM

PUBLIC STORAGE
SEMINOLE COUNTY, FL

PS#28091

2431 Orange Blossom Trail
Apopka, FL

#	Date	Issue/Description
1	03/02/2020	PERMIT SUBMITTAL
1	04/24/2020	SECOND SUBMITTAL

Project No: PS20091
Drawn By: PAM
Checked By: AST

PLUMBING RISER DIAGRAMS

P5.01