

NOT FOR CONSTRUCTION

COPYRIGHT
 THESE PLANS ARE AN INSTRUMENT OF SERVICE AND ARE THE PROPERTY OF GALLOWAY, AND MAY NOT BE DUPLICATED, REPRODUCED, OR REPRODUCED WITHOUT THE WRITTEN CONSENT OF GALLOWAY. COPYRIGHTS AND INFRINGEMENTS WILL BE ENFORCED AND PROSECUTED.

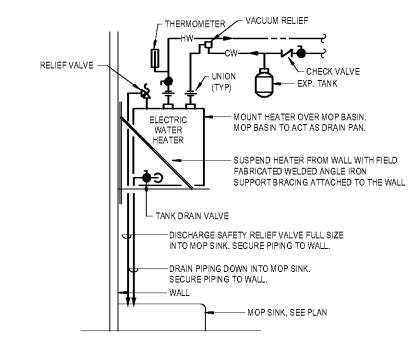


PUBLIC STORAGE
 SEMINOLE COUNTY, FL
 PS#28091
 2431 Orange Blossom Trail
 Apopka, FL

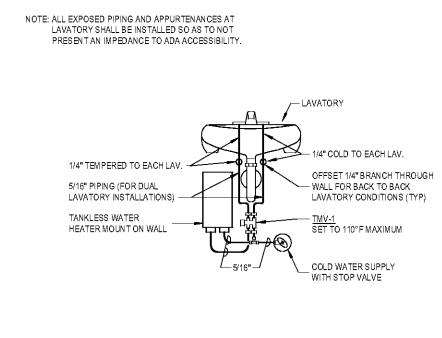
#	Date	Issue/Description
	03/02/2020	PERMIT SUBMITTAL

PLUMBING DETAILS

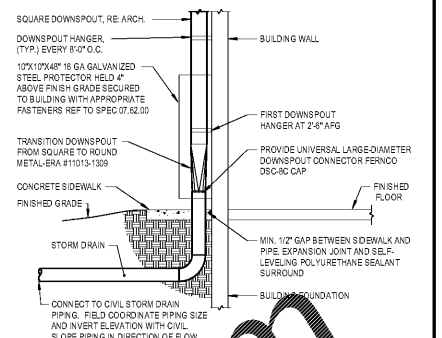
P5.00



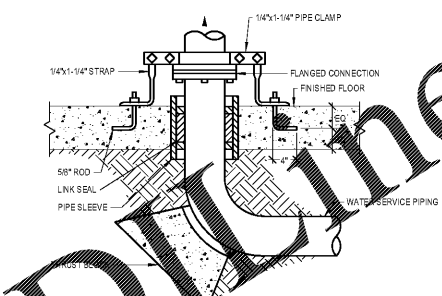
10 ELECTRIC WATER HEATER
SCALE: NTS



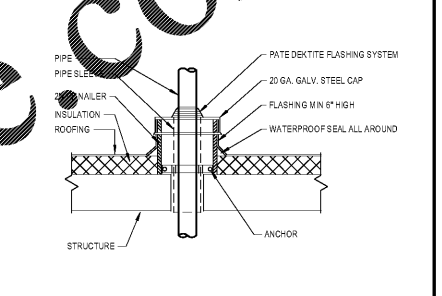
5 TANKLESS WATER HEATER
SCALE: NTS



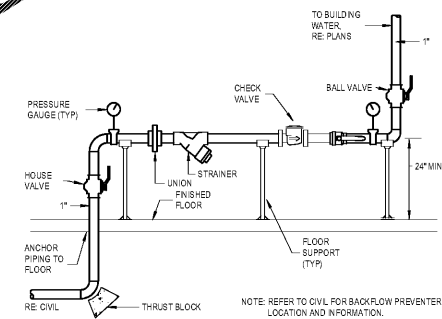
1 STORM DRAIN CONNECTION
SCALE: NTS



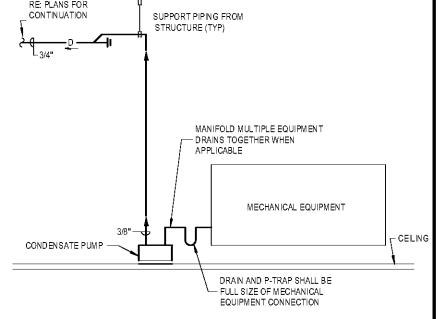
6 WATER SERVICE ANCHORING
SCALE: NTS



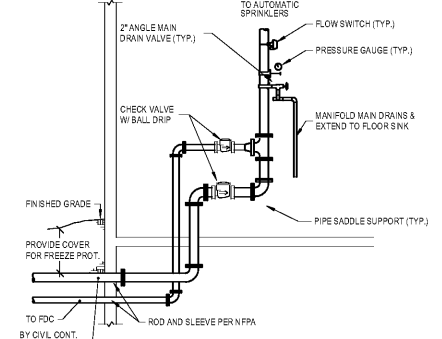
2 ROOF PENETRATION
SCALE: NTS



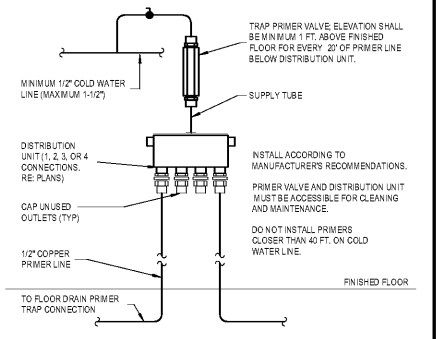
7 DOMESTIC WATER ENTRY
SCALE: NTS



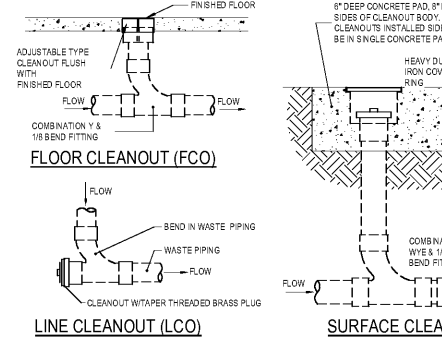
3 CONDENSATE PUMP
SCALE: NTS



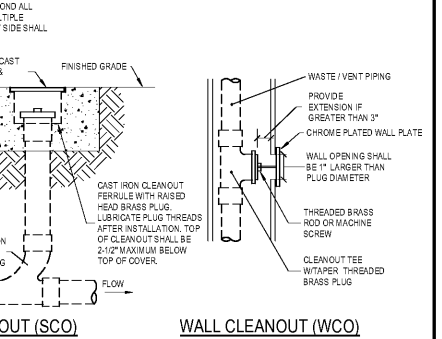
8 FIRE ENTRY
SCALE: NTS



4 TRAP PRIMER
SCALE: NTS



9 CLEANOUTS
SCALE: 1/2" = 1'-0"



9 CLEANOUTS
SCALE: 1/2" = 1'-0"

Order Plans @ www.LDOnline.com