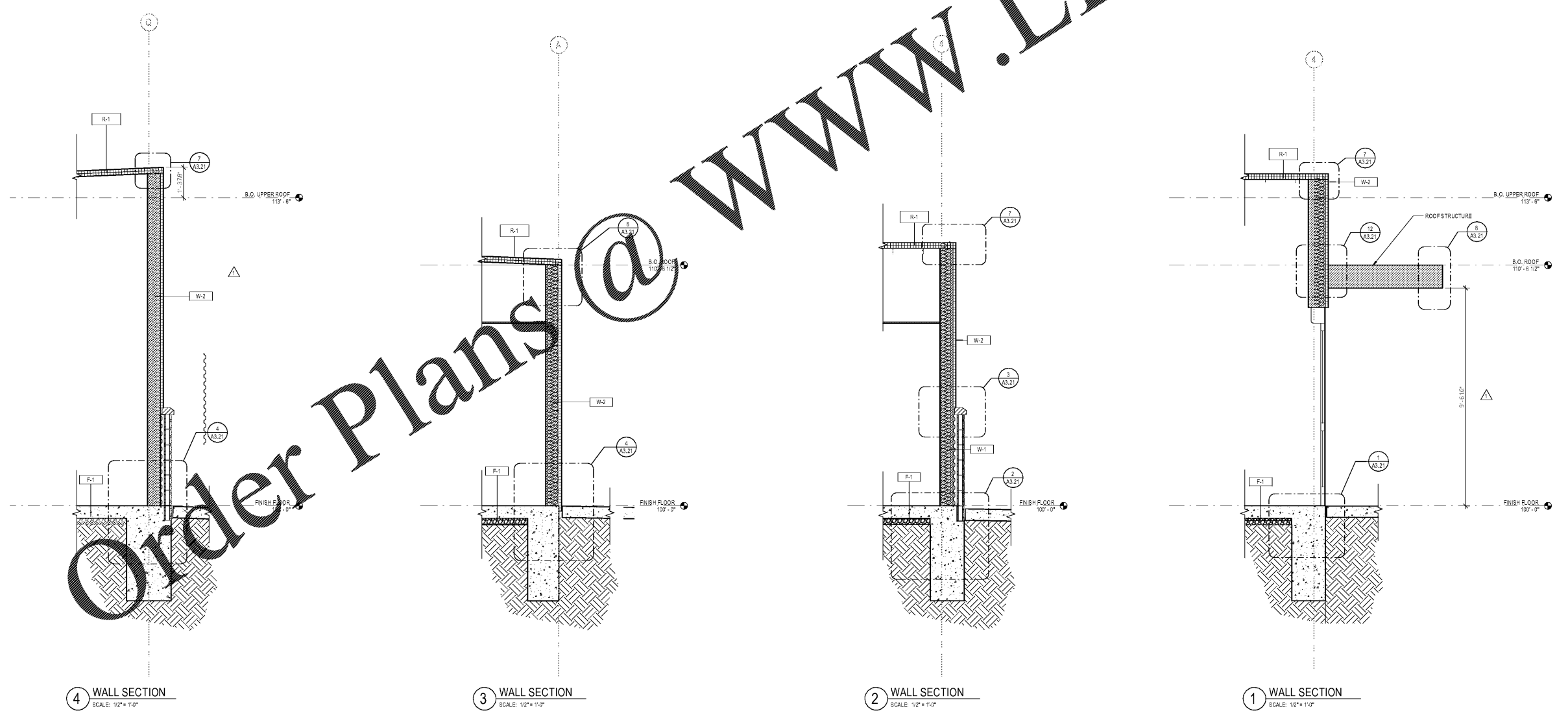


NOT FOR
CONSTRUCTION

COPYRIGHT
THESE PLANS ARE AN INSTRUMENT OF SERVICE
AND ARE THE PROPERTY OF GALLOWAY, AND MAY
NOT BE DUPLICATED, REPRODUCED, OR
REPRODUCED WITHOUT THE WRITTEN CONSENT
OF GALLOWAY. COPYRIGHTS AND INFRINGEMENTS
WILL BE ENFORCED AND PROSECUTED.

**Public
Storage**

www.LDILine.com



4 WALL SECTION
SCALE: 1/2" = 1'-0"

3 WALL SECTION
SCALE: 1/2" = 1'-0"

2 WALL SECTION
SCALE: 1/2" = 1'-0"

1 WALL SECTION
SCALE: 1/2" = 1'-0"

PUBLIC STORAGE
SEMINOLE COUNTY, FL
PS#28091
2431 S. Orange Blossom Trail
Apopka, FL

#	Date	Issue/Description
1	04/24/2020	2ND PERMIT SUBMITTAL

Project No: PS000991
Drawn By: KN
Checked By: KKS

WALL SECTIONS

A3.11

011/2020 2:44:25 PM
D:\0330\PS01-FL-Apopka\Seminoles\0330-Seminole\A3.11_Public_Storage.dwg