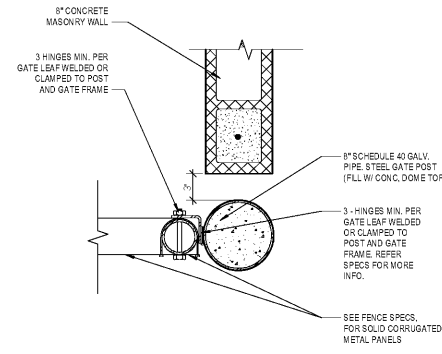


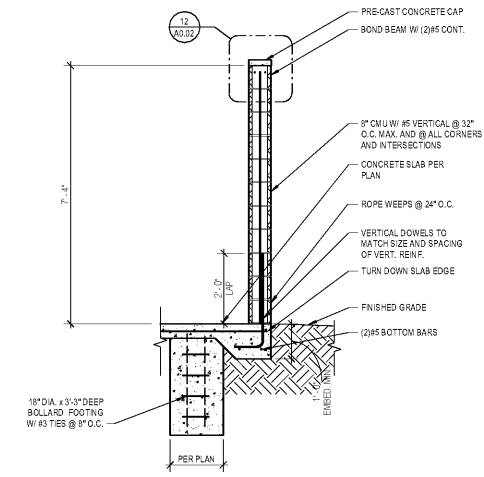
NOT FOR CONSTRUCTION

COPYRIGHT
 THESE PLANS ARE AN INSTRUMENT OF SERVICE AND ARE THE PROPERTY OF GALLOWAY, AND MAY NOT BE DUPLICATED, REPRODUCED, OR REPRODUCED WITHOUT THE WRITTEN CONSENT OF GALLOWAY. COPYRIGHTS AND INFRINGEMENTS WILL BE ENFORCED AND PROSECUTED.

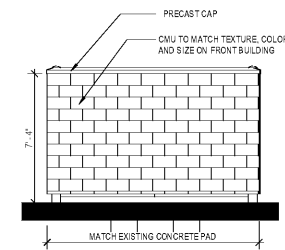
Public Storage



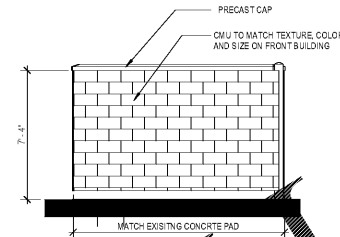
11 GATE HINGE
SCALE: 1/12" = 1'-0"



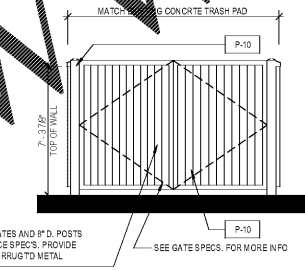
8 WALL SECTION, TYP. FOUNDATION
SCALE: 1/2" = 1'-0"



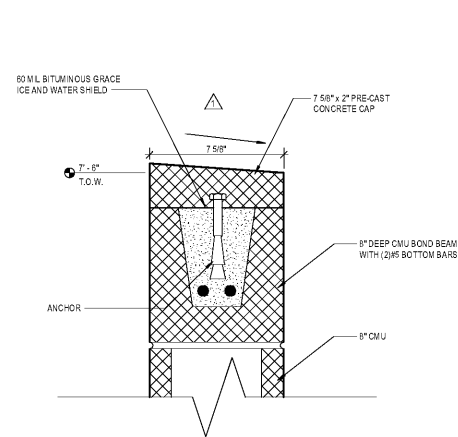
4 TRASH ENCLOSURE BACK ELEVATION
SCALE: 1/4" = 1'-0"



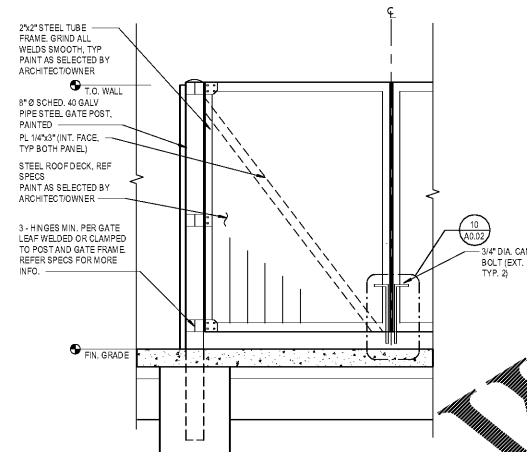
5 TRASH ENCLOSURE SIDE ELEVATION
SCALE: 1/4" = 1'-0"



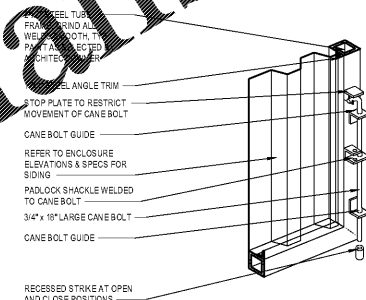
6 TRASH ENCLOSURE FRONT ELEVATION
SCALE: 1/4" = 1'-0"



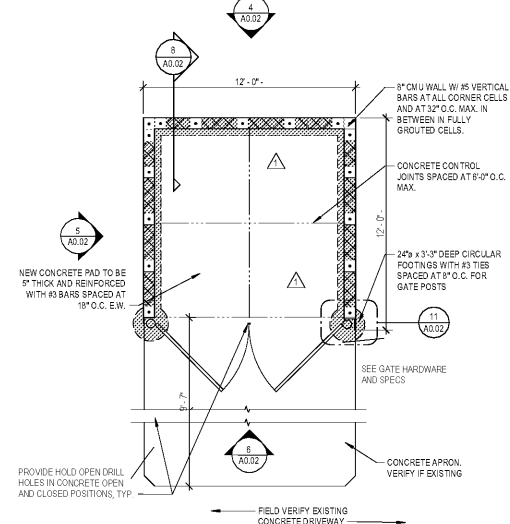
12 CMU WALL CAP DETAIL, TYPICAL
SCALE: 3/4" = 1'-0"



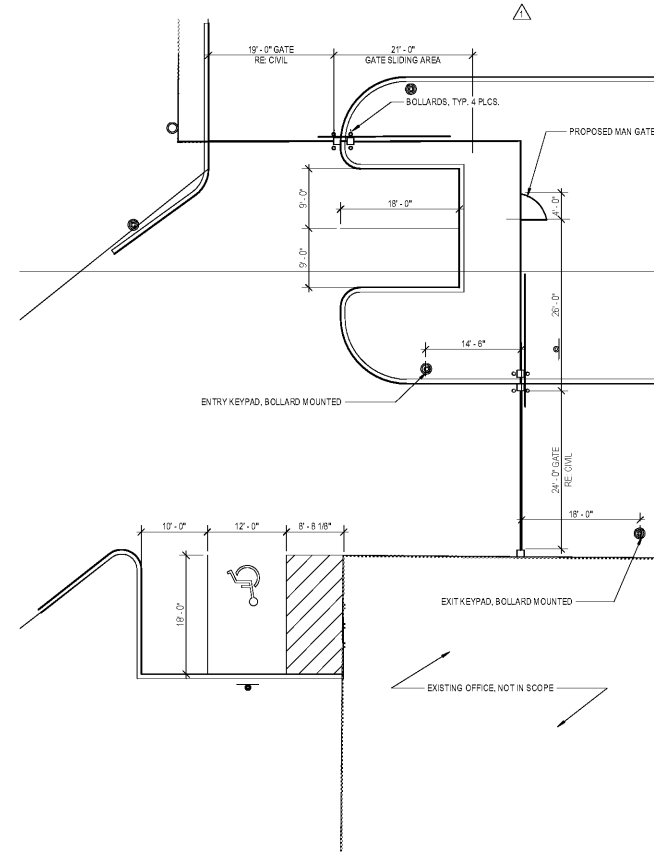
9 GATE EXTERIOR ELEVATION, TYPICAL
SCALE: 1/2" = 1'-0"



10 CANE BOLT LOCK DETAIL
SCALE: 1/12" = 1'-0"



7 TRASH ENCLOSURE PLAN
SCALE: 1/4" = 1'-0"



3 ENLARGED GATE PLAN
SCALE: 3/32" = 1'-0"

Order Plans @

WWW.LDILine.com

PUBLIC STORAGE
 SEMINOLE COUNTY, FL
 PS#28091
 2431 S. Orange Blossom Trail
 Apopka, FL

#	Date	Issue/Description
1	03/02/2020	PERMIT SUBMITTAL
2	04/24/2020	2ND PERMIT SUBMITTAL

Project No: PS000091
 Drawn By: KN
 Checked By: KKS

SITE DETAILS

A0.02

10/23/2019 11:41 AM
 8/11/2020 2:41:11 PM