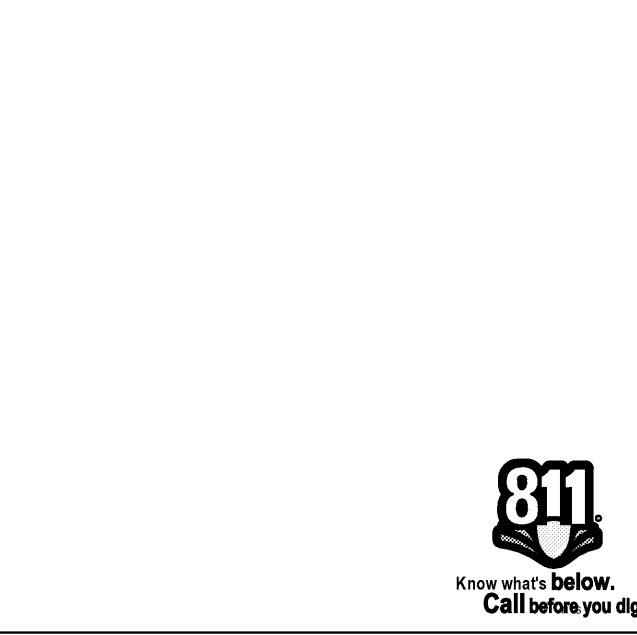
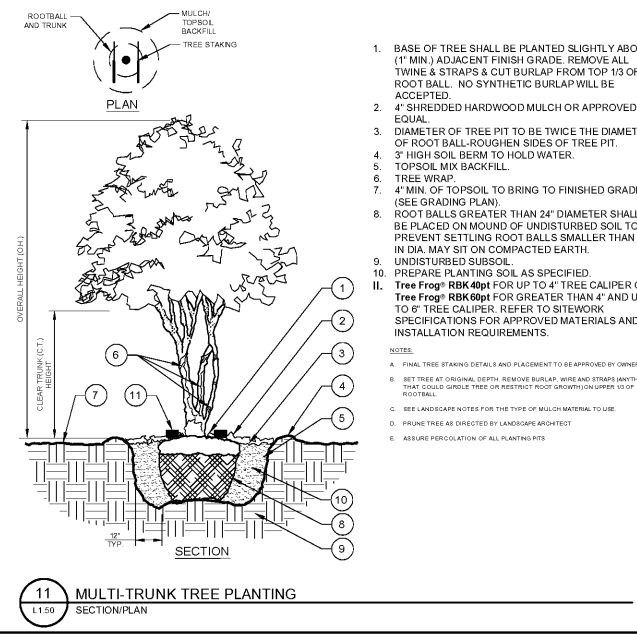
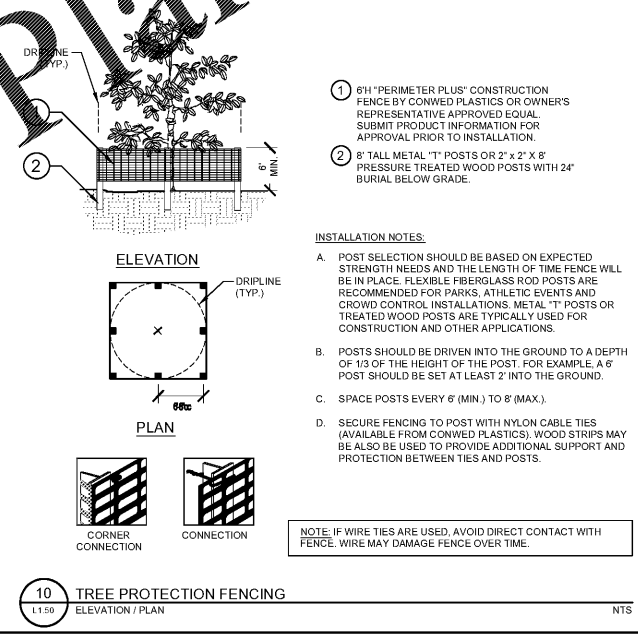
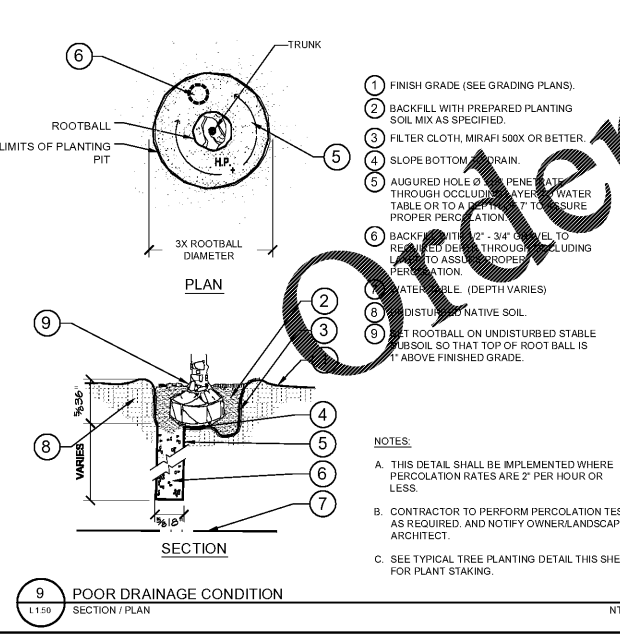
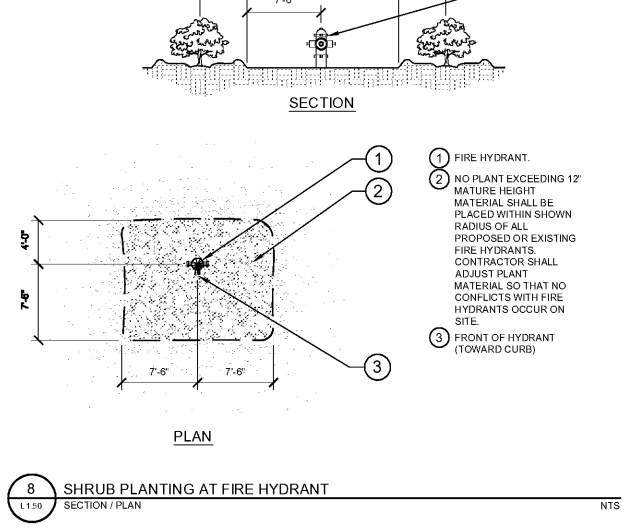
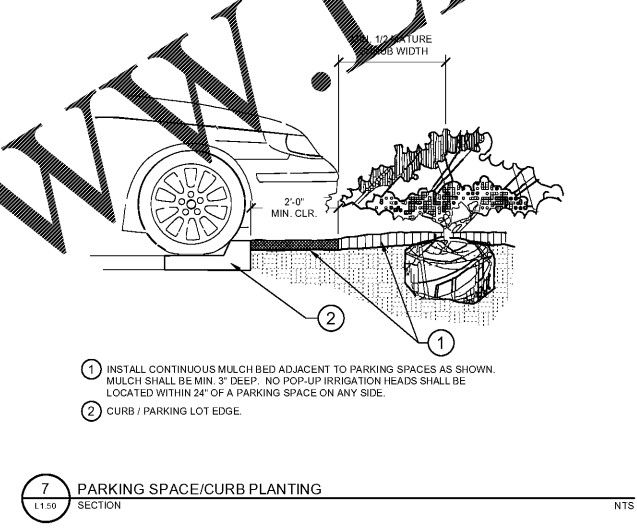
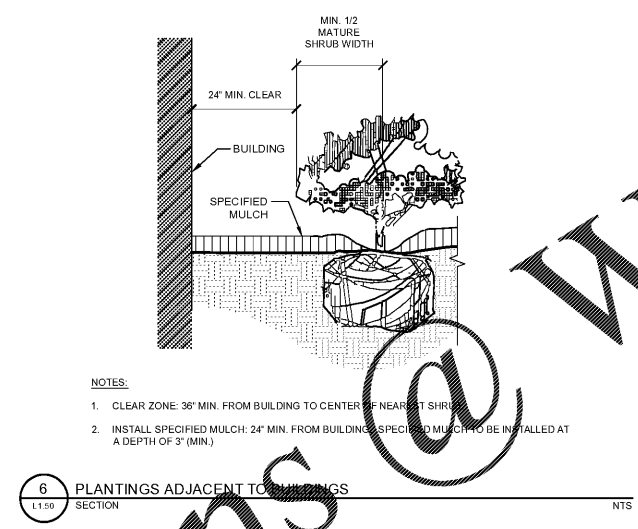
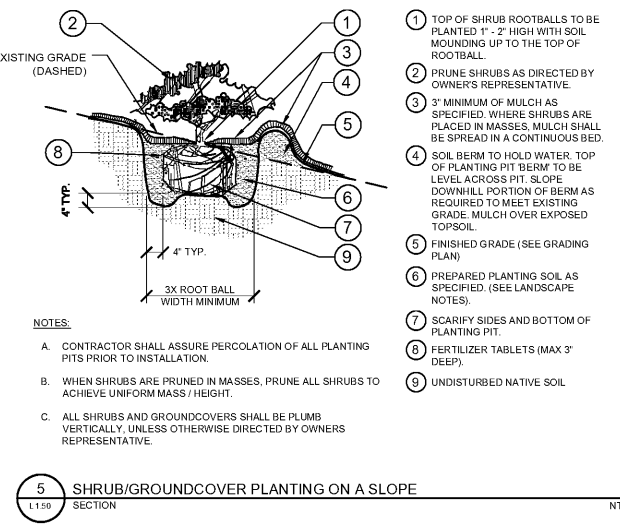
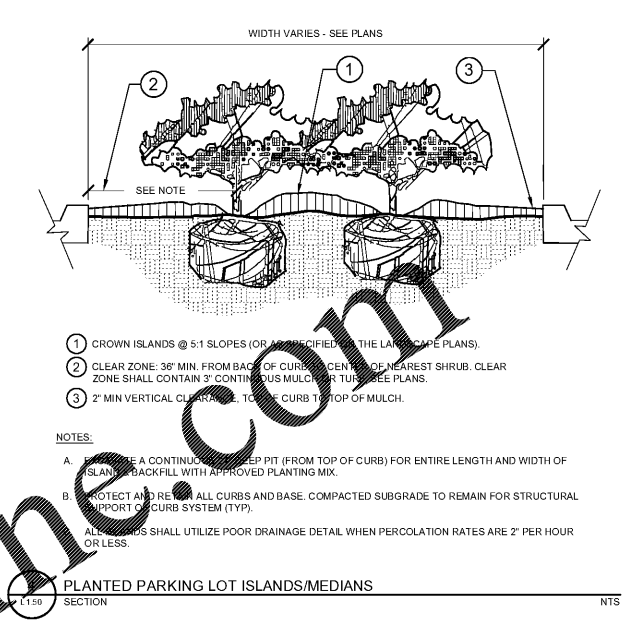
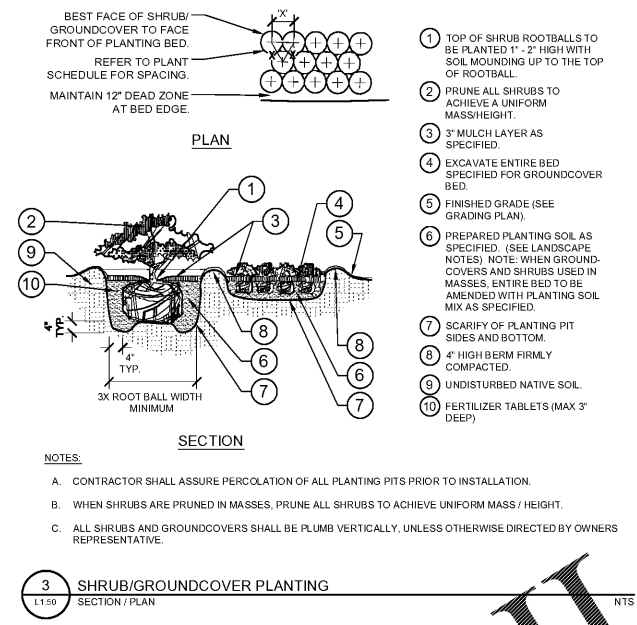
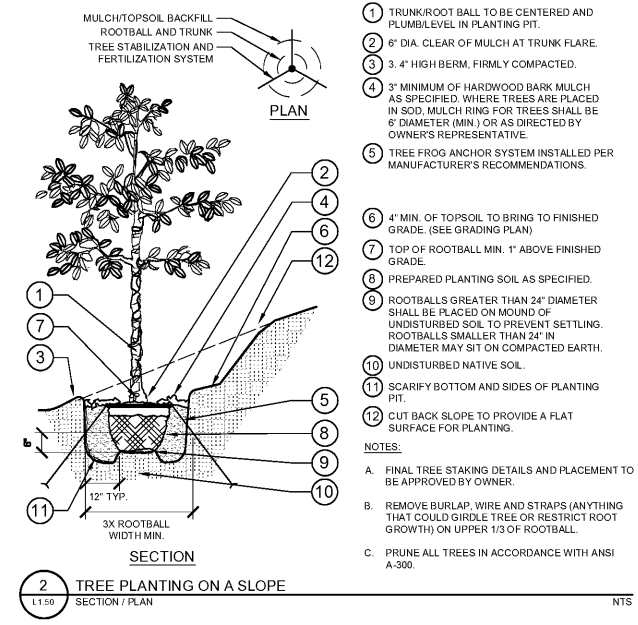
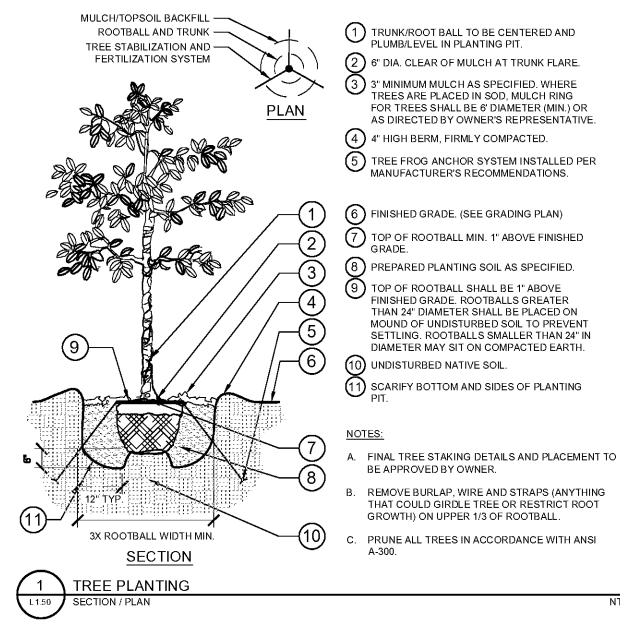


Plotted By: Nelson, Bre Sheet Set: K:\LA\VERO BEACH\147654001 - Seminole Public Storage CAD\CONSTR\PlanSheets\L1.00 - LANDSCAPE PLAN.dwg
 K:\OR\LA\VERO BEACH\147654001 - Seminole Public Storage CAD\CONSTR\PlanSheets\L1.00 - LANDSCAPE PLAN.dwg
 This document, together with the concepts and designs presented herein, is an instrument of service, as an instrument of service, as intended only for the specific purpose and client for which it was prepared. Reuse of and improper reliance on this document without written authorization and adaptation by Kimley-Horn and Associates, Inc. shall be without liability to Kimley-Horn and Associates, Inc.



© 2020 KIMLEY-HORN AND ASSOCIATES, INC.
 445 24TH STREET, SUITE 206, VERO BEACH, FL 32960
 PHONE: 772-799-4100
 WWW.KIMLEY-HORN.COM CA 0000696

No.	REVISIONS	DATE	BY

6/9/2020

K/A PROJECT: 147654001
 DATE: 10/22/19
 SCALE: AS SHOWN
 DESIGNED BY: BLN
 DRAWN BY: BLN
 CHECKED BY: MTF

LANDSCAPE DETAILS

PUBLIC STORAGE AOPKA
 2431 S. ORANGE BLOSSOM TRAIL
 SEMINOLE COUNTY, FLORIDA

Know what's below.
Call before you dig.

SHEET NUMBER
L1.50