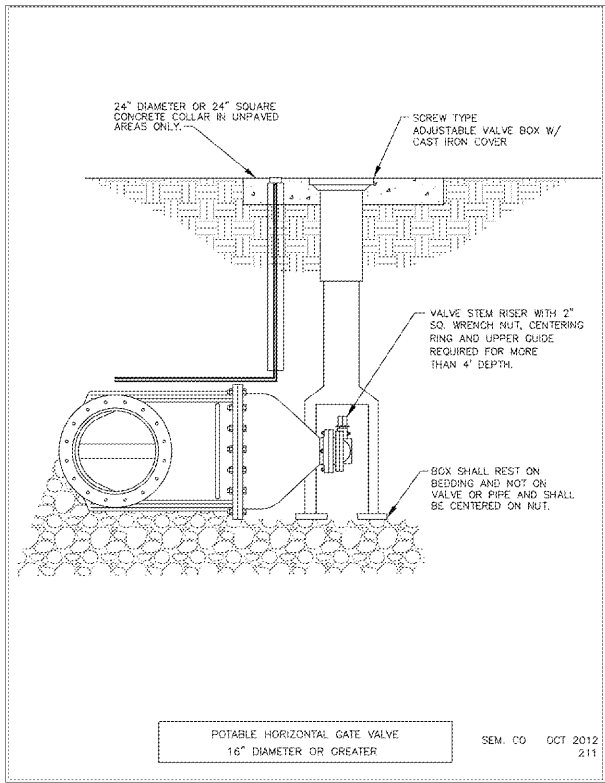
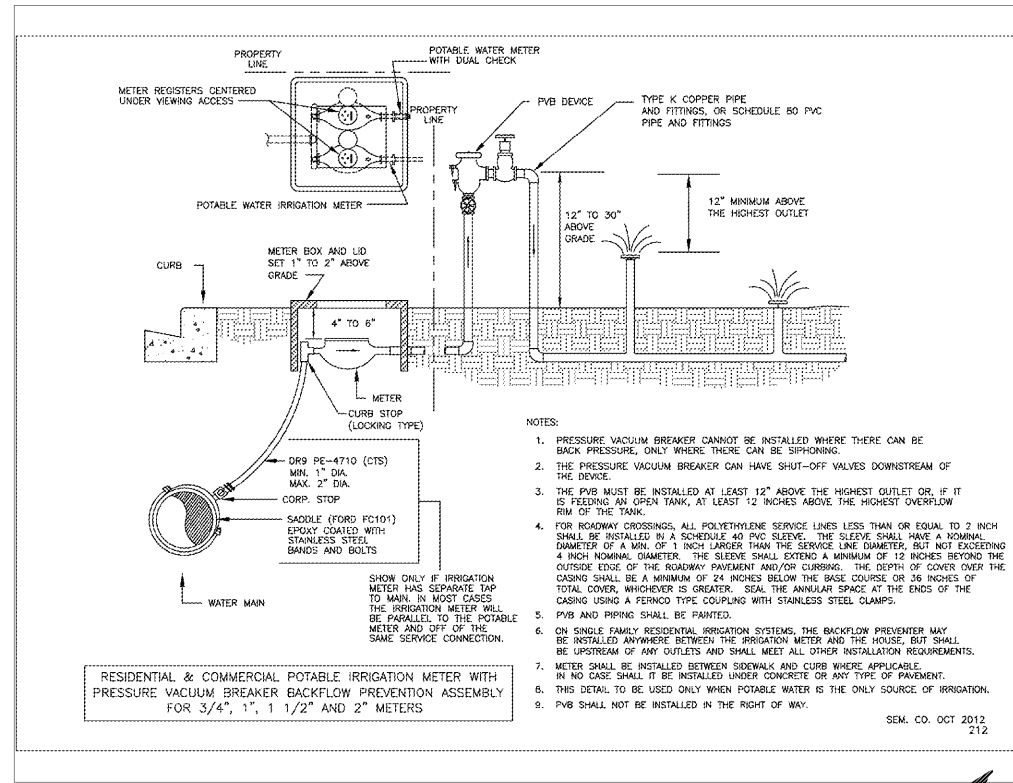


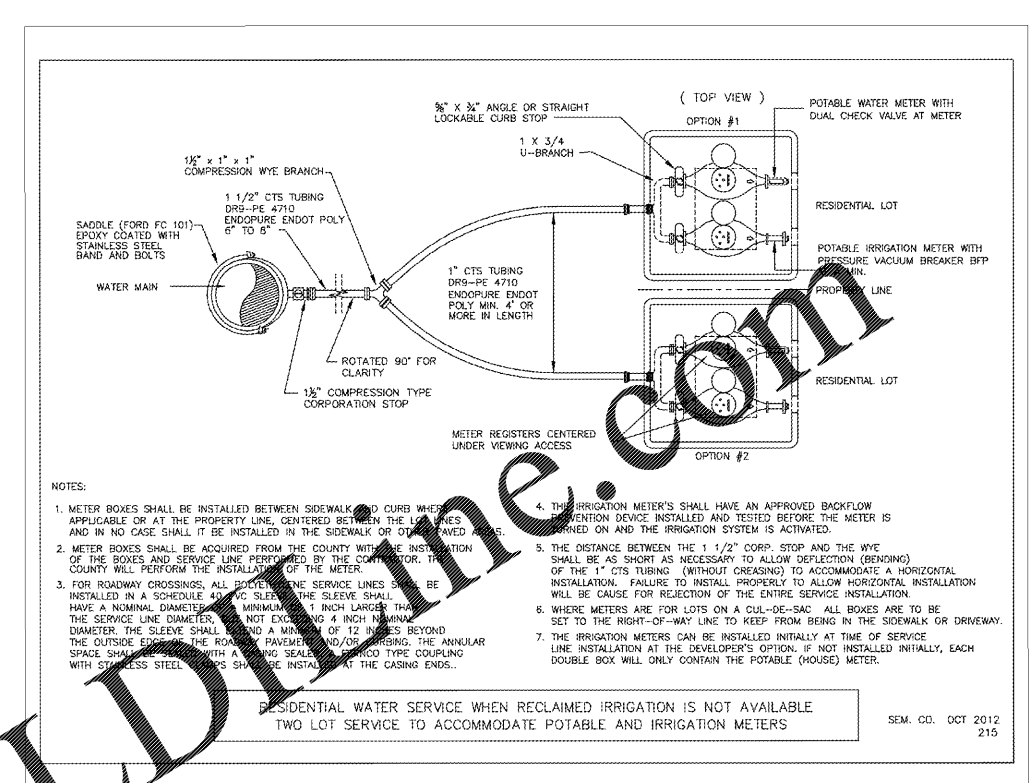
Plotted By Anderson, Sr. ch. - Sheet Set: 147654001 - Seminole County Public Storage - Layout: C-503 SEMINOLE COUNTY DETAILS - June 11, 2020 - 06:28:36pm - K:\VRB_UDEV\47654001 - Public Storage - Seminole County CAD Plan Sheets C-503 SEMINOLE COUNTY DETAILS - 147654001.dwg - This document, together with the concepts and designs presented herein, is intended only for the specific purpose and client for which it was prepared. Reuse of and/or reliance on this document without written authorization and adaptation by Kimley-Horn and Associates, Inc. shall be without liability to Kimley-Horn and Associates, Inc.



POTABLE HORIZONTAL GATE VALVE
16" DIAMETER OR GREATER
SEM. CO. OCT 2012
211



RESIDENTIAL & COMMERCIAL POTABLE IRRIGATION METER WITH PRESSURE VACUUM BREAKER BACKFLOW PREVENTION ASSEMBLY FOR 3/4", 1", 1 1/2" AND 2" METERS
SEM. CO. OCT 2012
212



RESIDENTIAL WATER SERVICE WHEN RECLAIMED IRRIGATION IS NOT AVAILABLE
TWO LOT SERVICE TO ACCOMMODATE POTABLE AND IRRIGATION METERS
SEM. CO. OCT 2012
215

Order Plans @ www.landscape.com



PUBLIC STORAGE APOPKA 2431 S. ORANGE BLOSSOM TRAIL SEMINOLE COUNTY, FLORIDA	K/A PROJECT 147654001	DATE 10/22/19	SCALE AS SHOWN	DESIGNED BY DFD	DRAWN BY DFD	CHECKED BY CJH	DATE	REV/SIONS	BY
SEMINOLE COUNTY DETAILS	LICENSED PROFESSIONAL CHRISTOPHER J. HOLLEN, P.E. FLORIDA LICENSE NUMBER 74685	<p>© 2020 KIMLEY-HORN AND ASSOCIATES, INC. 445 24TH STREET, SUITE 200, VERO BEACH, FL 32960 PHONE: 772-794-1100 WWW.KIMLEY-HORN.COM CA 00000696</p>							
SHEET NUMBER C-503									