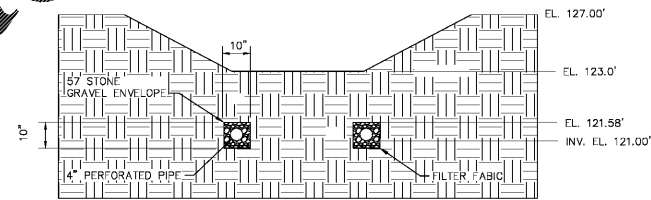
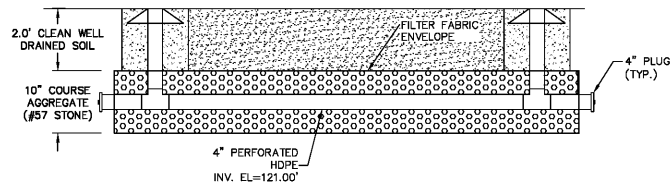


Plotted By: Anderson, Sarah - Sheet Set: 147654001 - Seminole Public Storage - Layout: C-201 PAVING GRADING AND DRAINAGE DETAILS - June 11, 2020 - 06:28:17pm - K:\VRB\DEVA\147654001 - Public Storage - Seminole County\CAD\PlanSheets\C-200 PAVING, GRADING AND DRAINAGE PLAN - 147654001.dwg
 This document, together with the concepts and designs presented herein, is intended only for the specific purpose and client for which it was prepared. Reuse of and/or improper reliance on this document without written authorization and consent by Kimley-Horn and Associates, Inc. shall be without liability to Kimley-Horn and Associates, Inc.

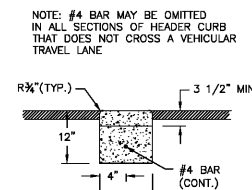
Order Plans @ www.LDILine.com



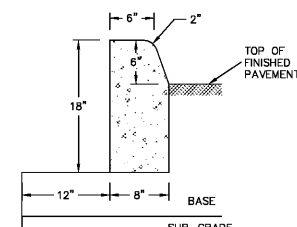
UNDERDRAIN DETAIL
N.T.S.



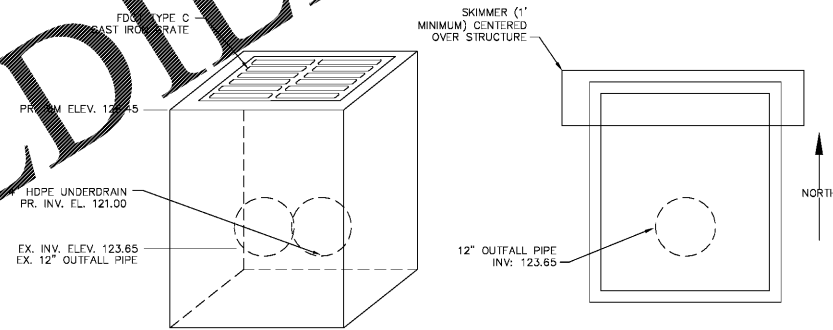
DRY POND UNDERDRAIN SYSTEM
N.T.S.



FLUSH HEADER CURB
N.T.S.



TYPE "D" CURB
N.T.S.



PLAN VIEW

STRUCTURE D-06
DRY POND OUTFALL CONTROL STRUCTURE
FDOT TYPE C STRUCTURE
WITH OIL SKIMMER

No.	REVISIONS	DATE	BY

Kimley»Horn
 © 2020 KIMLEY-HORN AND ASSOCIATES, INC.
 445 24TH STREET, SUITE 200, VERO BEACH, FL 32960
 PH: 888-772-7944-4100
 WWW.KIMLEY-HORN.COM CA 0000686

LICENSED PROFESSIONAL
 CHRISTOPHER J. HOLLEN, P.E.
 FLORIDA LICENSE NUMBER
 74685
 CHECKED BY: C/JH DATE:
 DRAWN BY: DFD
 DESIGNED BY: DFD
 SCALE: AS SHOWN
 DATE: 10/22/19
 PROJECT: 147654001

**C-201 PAVING
 GRADING AND
 DRAINAGE DETAILS**

PUBLIC STORAGE APOPKA FLORIDA
 2431 S. ORANGE BLOSSOM TRAIL
 SEMINOLE COUNTY
 SHEET NUMBER

