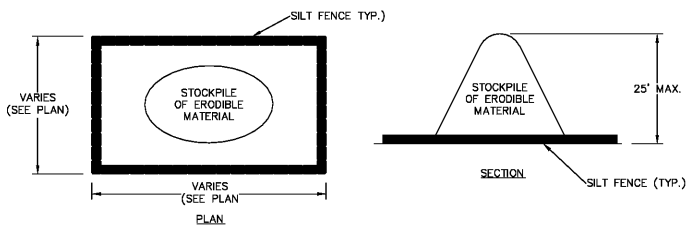
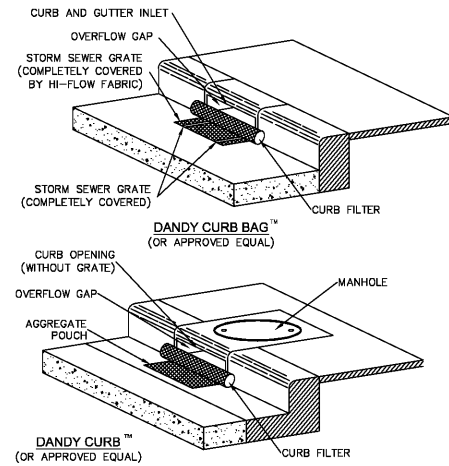


Plotted By: Anderson, S. Date: 10/22/19. Sheet: 147654001 - Seminole Public Storage - Erosion Control Details - Layout C-011. Erosion Control Details - June 11, 2020. 08:27:31pm. K:\VMB_LDEV\147654001 - Public Storage - Seminole County\Auto\Drawings\147654001 - Erosion Control - Detail - 147654001.dwg. This document, together with the concepts and designs presented herein, is intended only for the specific purpose and client for which it was prepared. Reuse of any information on this document without written authorization and adaptation by Kimley-Horn and Associates, Inc. shall be without liability to Kimley-Horn and Associates, Inc.



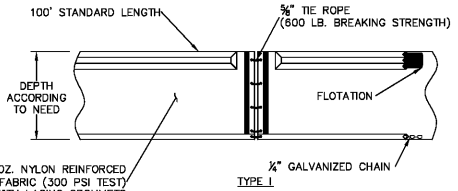
SEDIMENT CONTROL FOR STOCKPILING OF ERODIBLE MATERIAL
N.T.S.

NOTE: WHEN STOCKPILING ERODIBLE MATERIAL FOR EXTENDED PERIODS, THE AREA SHALL BE SEEDED AND MULCHED.

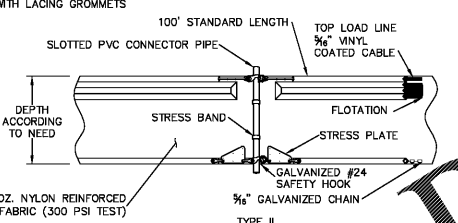


SOCK DRAIN INLET SEDIMENT FILTER
N.T.S.

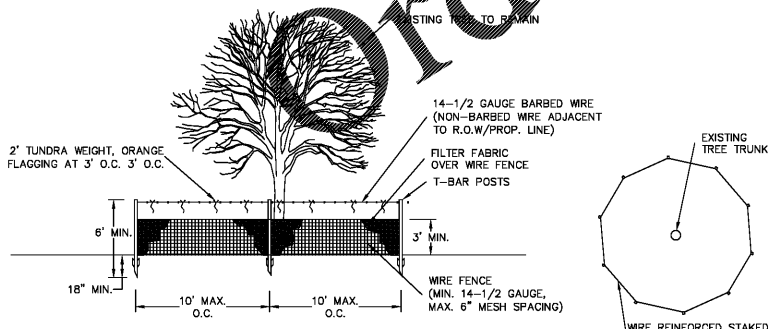
TYPE I DOT
FOR WATERS WITH LOW CURRENTS (NO MORE THAN ONE FOOT PER SECOND) AND LIGHT WINDS; LAKES, PONDS, SMALL STREAMS, MARSHES, FLEXIBLE TOP FLOTATION SECTION WITH ENCAPSULATED EPS FOAM FLOTATION LOGS (6"x6"x4").



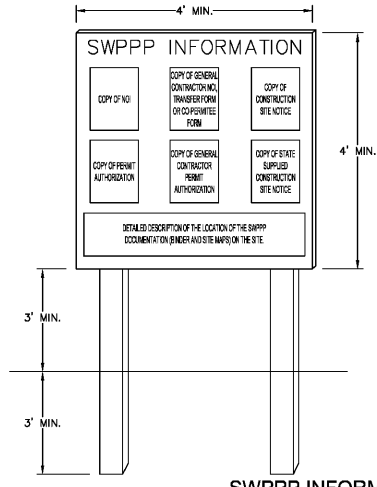
TYPE II DOT
FOR HIGHER CURRENT WATERS (UP TO FIVE FEET PER SECOND); DEEPER LAKES, STREAMS, INTERCOASTAL AND TIDAL AREAS. INCLUDES AN ENCAPSULATED STEEL LOAD CABLE ALONG TOP OF BARRIER AND 8"x8"x4" FLOTATION LOGS. WEAR STRESS POINTS ARE REINFORCED WITH SHIELDS.



FLOATING TURBIDITY BARRIERS
N.T.S.

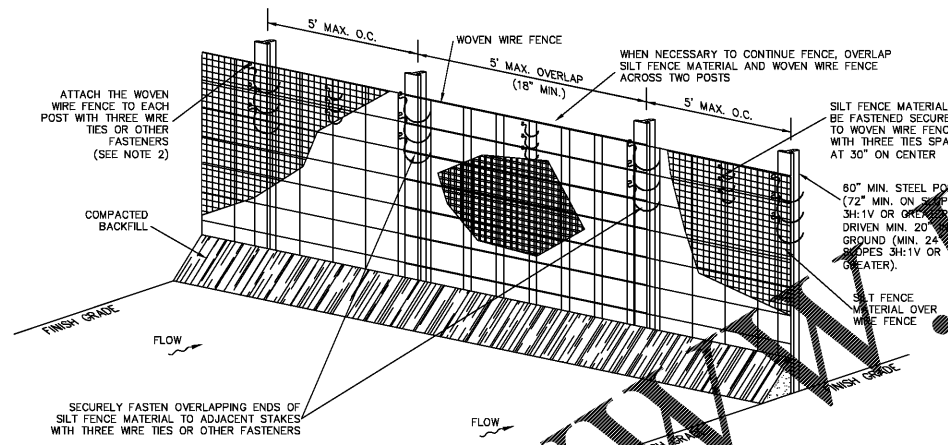


PROTECTIVE FENCING FOR TREES
N.T.S.



SWPPP INFORMATION SIGN
N.T.S.

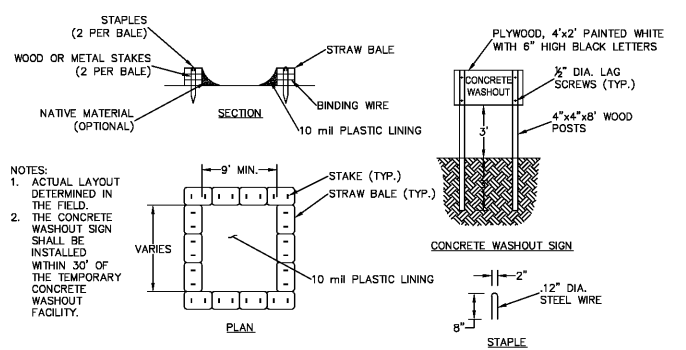
- NOTES:
- "SWPPP INFORMATION" MUST BE DISPLAYED PROMINENTLY ACROSS THE TOP OF THE SIGN, AS SHOWN IN THE DETAIL.
 - SIGN TO BE CONSTRUCTED OF A RIGID MATERIAL, SUCH AS PLYWOOD OR OUTDOOR SIGN BOARD. SIGN MUST BE CONSTRUCTED IN A MANNER TO PROTECT DOCUMENTS FROM DAMAGE DUE TO WEATHER (WIND, SUN, MOISTURE, ETC.).
 - THE SWPPP INFORMATION SIGN MUST BE LOCATED NEAR THE ENTRANCE/EXIT OF THE SITE, SUCH THAT IT IS ACCESSIBLE/VISIBLE BY THE GENERAL PUBLIC, BUT NOT OBSTRUCTING VIEWS AS TO CAUSE A SAFETY HAZARD.
 - ALL POSTED DOCUMENTS MUST BE MAINTAINED IN A CLEARLY READABLE CONDITION AT ALL TIMES THROUGHOUT CONSTRUCTION AND UNTIL THE NOTICE-OF-TERMINATION (NOT) IS FILED FOR THE PERMIT.
 - CONTRACTOR SHALL POST OTHER STORM WATER AND/OR EROSION AND SEDIMENT CONTROL RELATED PERMITS ON THE SIGN AS REQUIRED BY THE LOCAL AGENCY.
 - SIGN SHALL BE LOCATED OUTSIDE OF PUBLIC RIGHT-OF-WAY AND EASEMENTS UNLESS APPROVED BY THE GOVERNING AGENCY.
 - CONTRACTOR IS RESPONSIBLE FOR ENSURING THE STABILITY OF THIS SWPPP INFORMATION SIGN.



POSTS: STEEL T OR U TYPE.
FENCE: WOVEN WIRE, 14-1/2 GA., 6" MAX. MESH OPENING.
FABRIC: IN ACCORDANCE WITH ASTM D 6461 LATEST EDITION.

- NOTES:
- INSTALLATION SHALL COMPLY WITH ASTM D 6462 LATEST EDITION.
 - ATTACH THE WOVEN WIRE FENCE TO EACH POST AND THE GEOTEXTILE TO THE WOVEN WIRE FENCE (SPACED EVERY 30") WITH THREE WIRE TIES OR OTHER FASTENERS, ALL SPACED WITHIN THE TOP 8" OF THE FABRIC. ATTACH EACH TIE DIAGONALLY 45 DEGREES THROUGH THE FABRIC, WITH EACH PUNCTURE AT LEAST 1" VERTICALLY APART. ALSO, EACH TIE PLACED ON A POST SHOULD BE POSITIONED TO HANG ON A POST NIPPLE WHEN TIGHTENED TO PREVENT SAGGING.
 - WHEN TWO SECTIONS OF SILT FENCE MATERIAL ADJOIN EACH OTHER, THEY SHALL BE OVERLAPPED A MINIMUM OF 60" ACROSS TWO POSTS, AS SHOWN.
 - MAINTENANCE SHALL BE PERFORMED AS NOTED IN THE SWPPP. DEPTH OF ACCUMULATED SEDIMENTS MAY NOT EXCEED ONE-HALF THE HEIGHT OF THE FENCE. MAINTENANCE CLEANOUT MUST BE CONDUCTED REGULARLY TO PREVENT ACCUMULATED SEDIMENTS FROM REACHING ONE-HALF THE HEIGHT OF THE SILT FENCE MATERIAL ABOVE GRADE.
 - ALL SILT FENCE SHALL INCLUDE WIRE SUPPORT UNLESS THE STATIC SLICING EQUIPMENT IS UTILIZED TO INSTALL THE FENCE.
 - WRAP APPROXIMATELY 6" OF FABRIC AROUND THE END POSTS AND SECURE WITH 3 TIES.
 - COMPACT THE SOIL IMMEDIATELY NEXT TO THE SILT FENCE FABRIC WITH THE FRONT WHEEL OF THE TRACTOR, SKID STEER, OR ROLLER EXERCISING AT LEAST 60 POUNDS PER SQ. INCH. COMPACT THE UPSTREAM SIDE FIRST, COMPACT EACH SIDE TWICE FOR A TOTAL OF FOUR TRIPS.
 - ADD POST CAPS AS NEEDED BASED ON SITE CONDITIONS AND APPLICABLE AGENCY REQUIREMENTS.

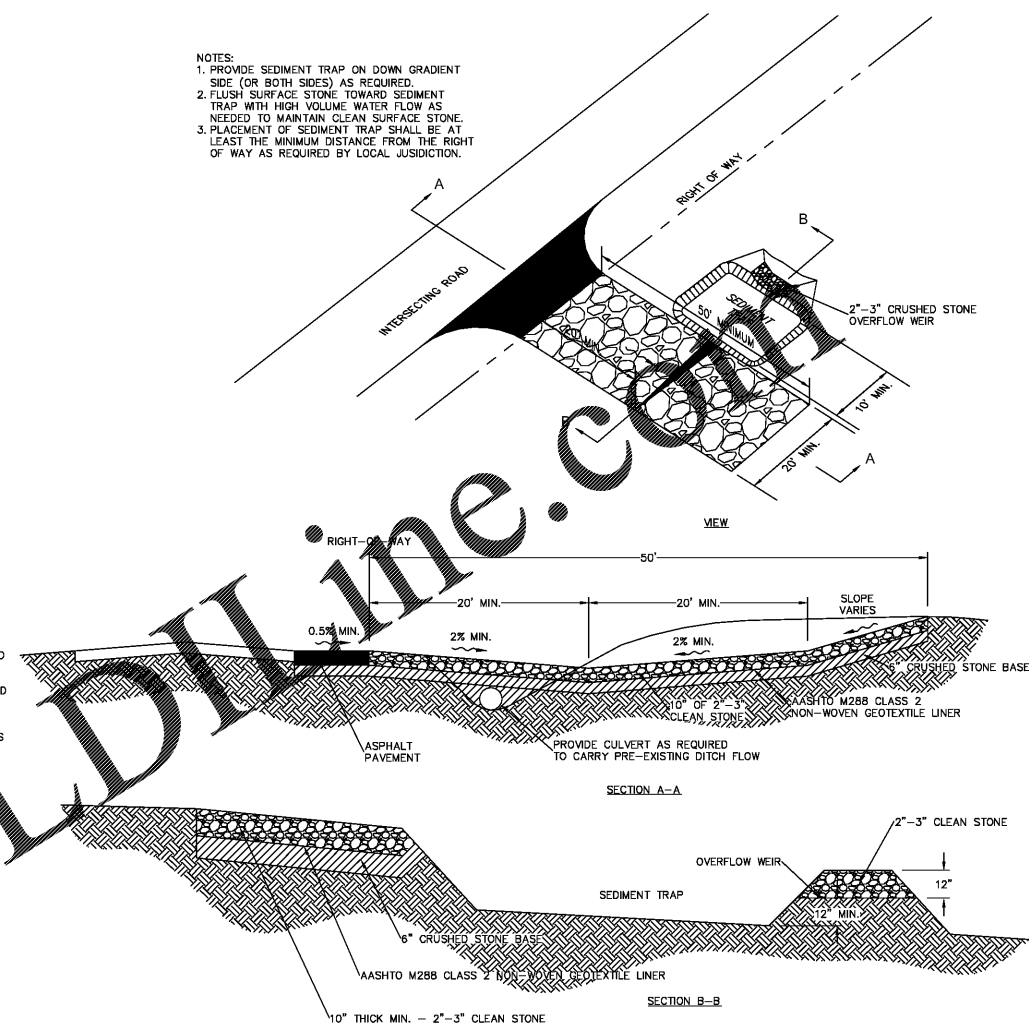
WIRE REINFORCED SILT FENCE INSTALLATION
N.T.S.



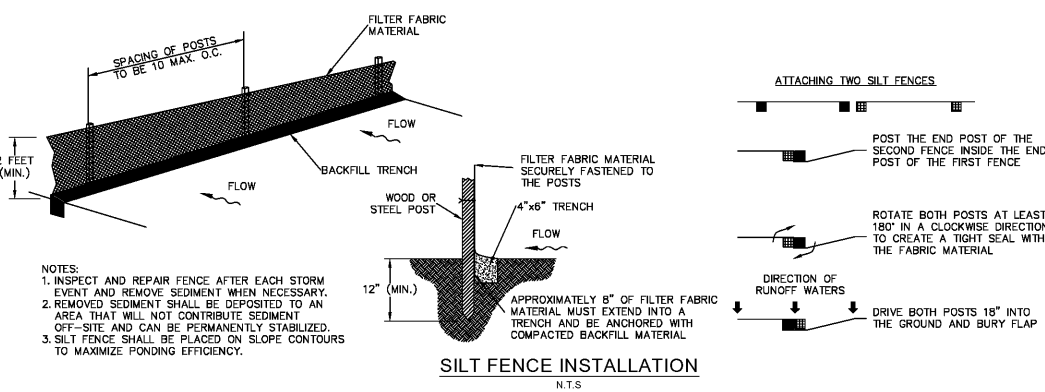
- NOTES:
- ACTUAL LAYOUT DETERMINED IN THE FIELD.
 - THE CONCRETE WASHOUT SIGN SHALL BE INSTALLED WITHIN 30' OF THE TEMPORARY CONCRETE WASHOUT FACILITY.

CONCRETE & STUCCO WASTE MANAGEMENT
N.T.S.

- NOTES:
- PROVIDE SEDIMENT TRAP ON DOWN GRADIENT SIDE (OR BOTH SIDES) AS REQUIRED.
 - FLUSH SURFACE STONE TOWARD SEDIMENT TRAP WITH HIGH VOLUME WATER FLOW AS NEEDED TO MAINTAIN CLEAN SURFACE STONE.
 - PLACEMENT OF SEDIMENT TRAP SHALL BE AT LEAST THE MINIMUM DISTANCE FROM THE RIGHT OF WAY AS REQUIRED BY LOCAL JURISDICTION.



CONSTRUCTION EXIT
N.T.S.



- NOTES:
- INSPECT AND REPAIR FENCE AFTER EACH STORM EVENT AND REMOVE SEDIMENT WHEN NECESSARY.
 - REMOVED SEDIMENT SHALL BE DEPOSITED TO AN AREA THAT WILL NOT CONTRIBUTE SEDIMENT OFF-SITE AND CAN BE PERMANENTLY STABILIZED.
 - SILT FENCE SHALL BE PLACED ON SLOPE CONTOURS TO MAXIMIZE FLOW EFFICIENCY.

SILT FENCE INSTALLATION
N.T.S.

NO.	REV'S	DATE	BY

Kimley»Horn
© 2020 KIMLEY-HORN AND ASSOCIATES, INC.
445 24TH STREET, SUITE 200, VERO BEACH, FL 32960
PHONE: 772-794-1100
WWW.KIMLEY-HORN.COM CA 00000696

PROJECT: PUBLIC STORAGE APOPKA
DATE: 10/22/19
SCALE: AS SHOWN
DESIGNED BY: DFD
DRAWN BY: DFD
CHECKED BY: CJH

EROSION CONTROL DETAILS

PUBLIC STORAGE APOPKA
2431 S. ORANGE BLOSSOM TRAIL
SEMINOLE COUNTY, FLORIDA
SHEET NUMBER: C-011

