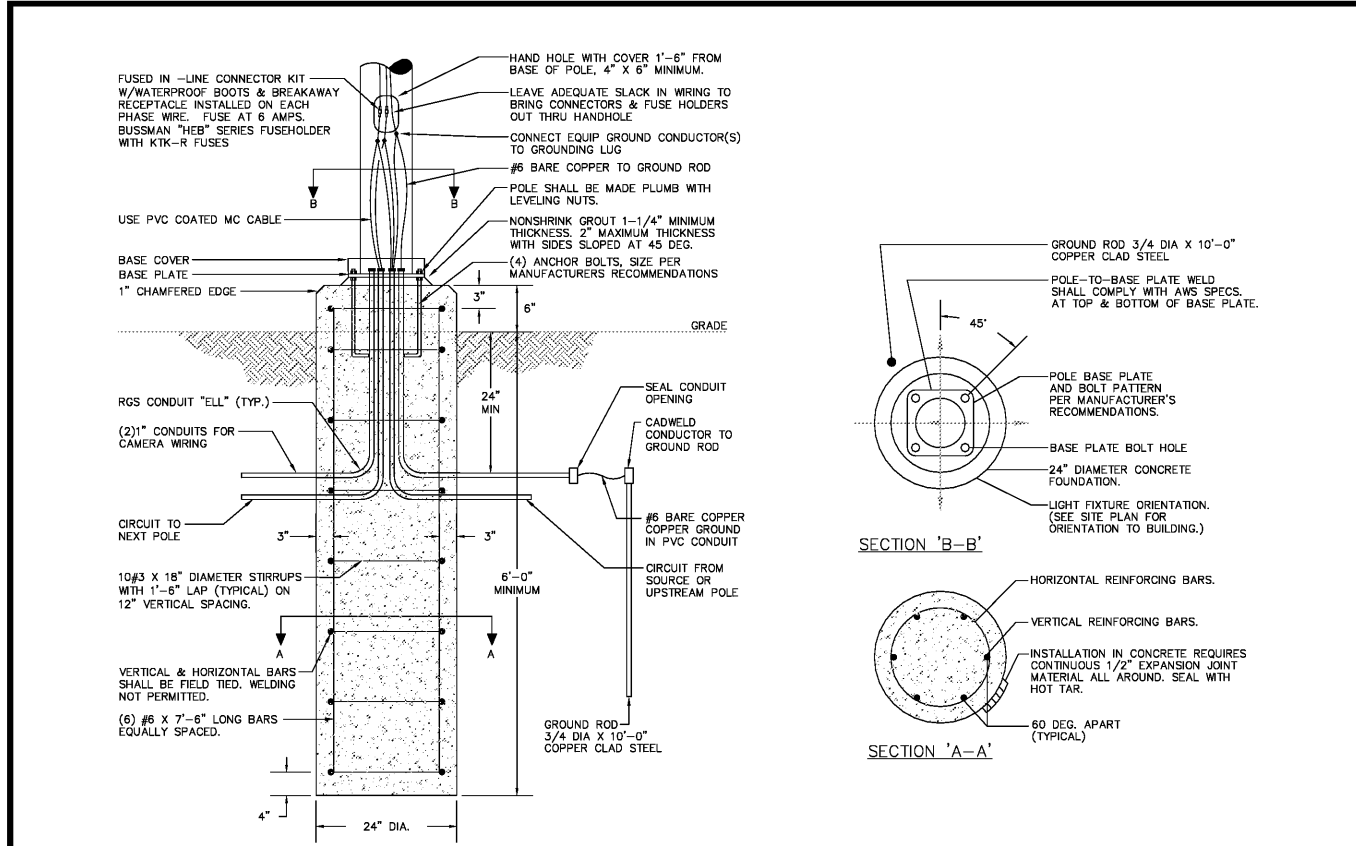
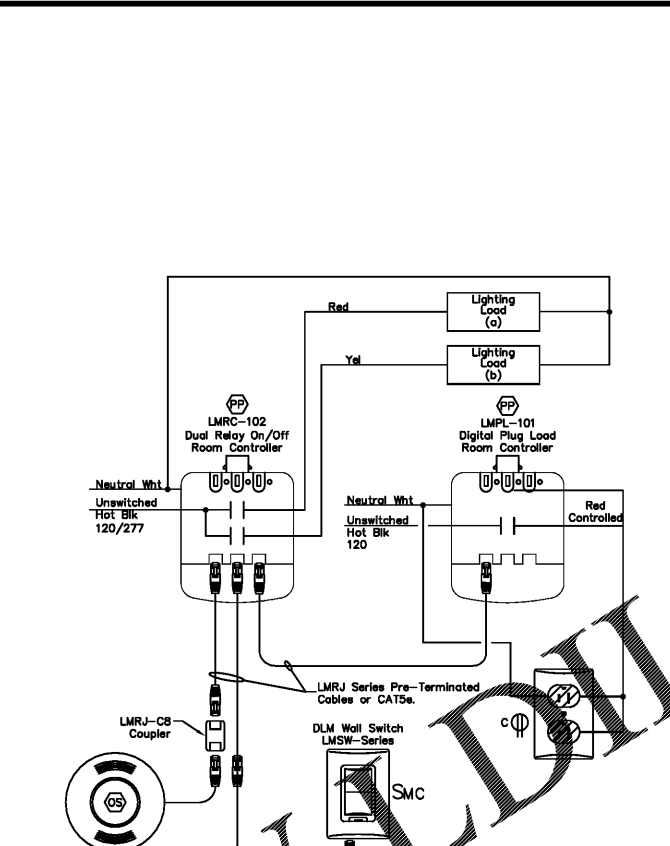


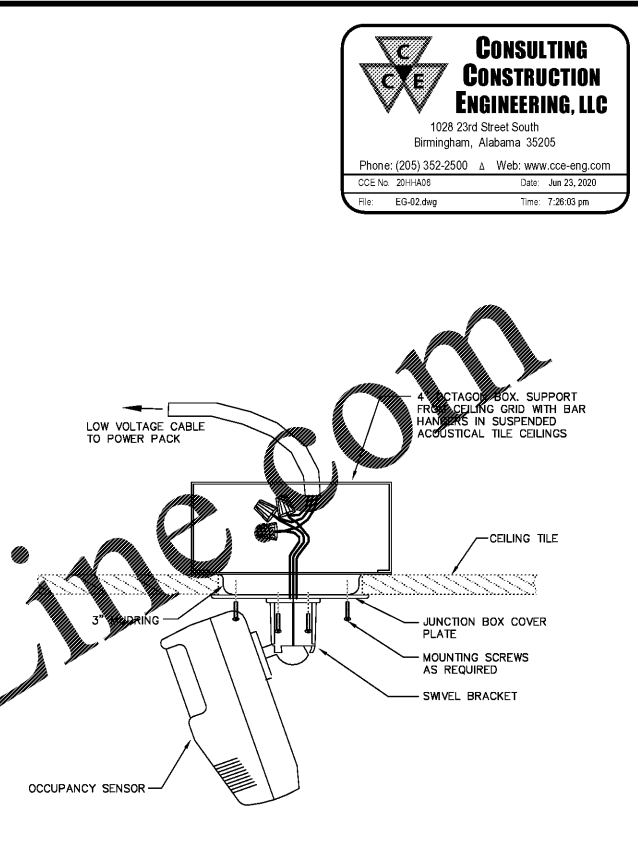
RELEASES / DESCRIPTION / DATES	
NOT FOR CONSTRUCTION	<input type="checkbox"/>
RELEASED FOR CONSTRUCTION	<input type="checkbox"/>
DATE	06.23.2020
DRAWN	---
CHECKED	---
APPROVED	HH/HA
PROJECT NUMBER	20012.01
SHEET TITLE	LIGHTING DETAILS
DRAWING NO.	E0.02



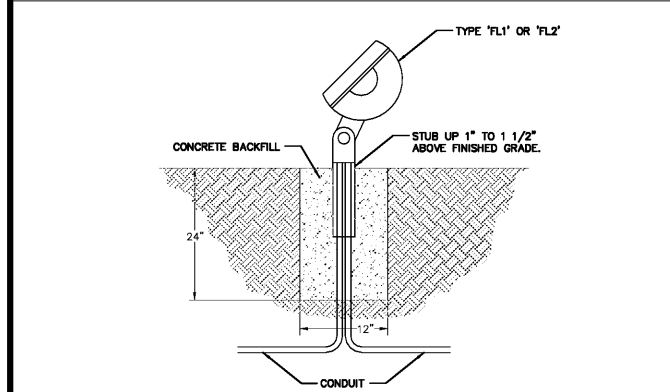
**SITE LIGHTING POLE BASE DETAILS**  
NO SCALE



**LIGHTING AND RECEPTACLE CONTROL WIRING DIAGRAM**  
NO SCALE



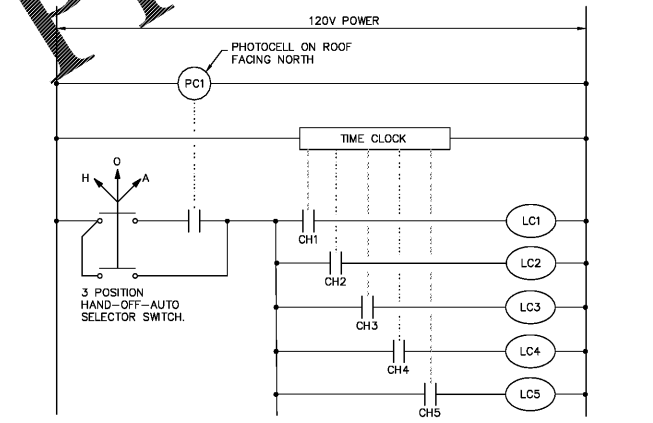
**OCCUPANCY SENSOR 'OSA' - MOUNTING DETAIL**  
NO SCALE



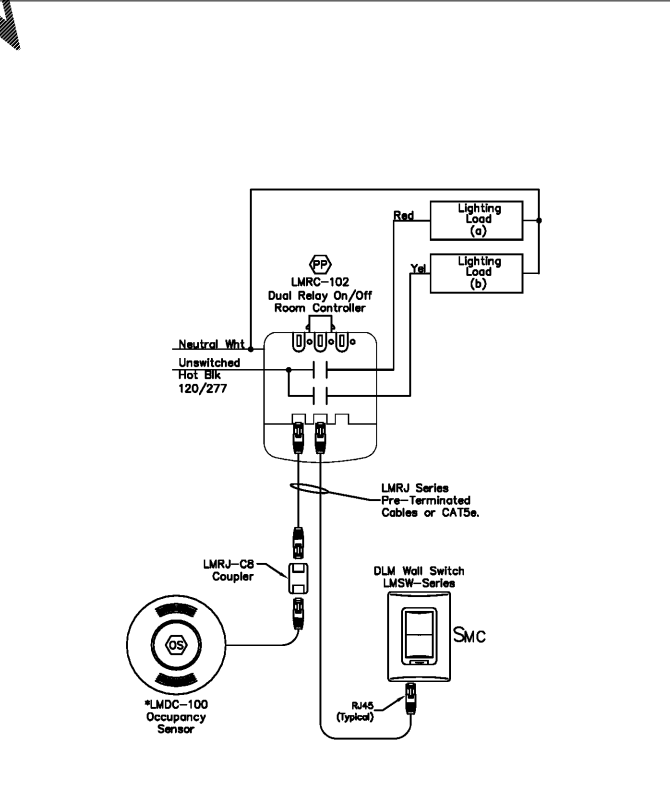
**FLAG POLE LIGHT 'FL1' INSTALLATION DETAIL**  
NO SCALE

LTG CNTR #	NUMBER POLES	AMPS	COIL VOLTAGE	LOAD VOLTAGE	LOAD DESCRIPTION	LOCATION	REMARKS
LC1	2	20	120V	120V	BLDG MOUNTED LIGHTS		1, 2
LC2	2	20	120V	120V	DRIVE THRU CANOPY LIGHT AND ATM SIGN		1, 2
LC3	2	20	120V	120V	MONUMENT SIGN		1, 2
LC4	2	20	120V	120V	POLE		1, 2
LC5	2	20	120V	120V	PARKING LOT LIGHTING		1, 2

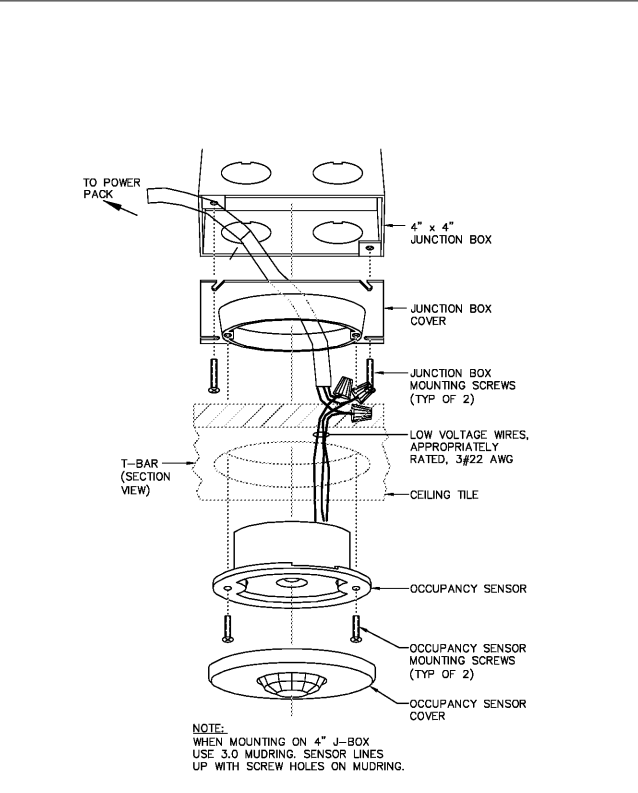
REMARKS:  
 1. RELAYS TO BE MOUNTED IN A SINGLE NEMA 1 ENCLOSURE ADJACENT TO PANEL SHOWN.  
 2. RELAY SHALL BE ELECTRICALLY HELD.



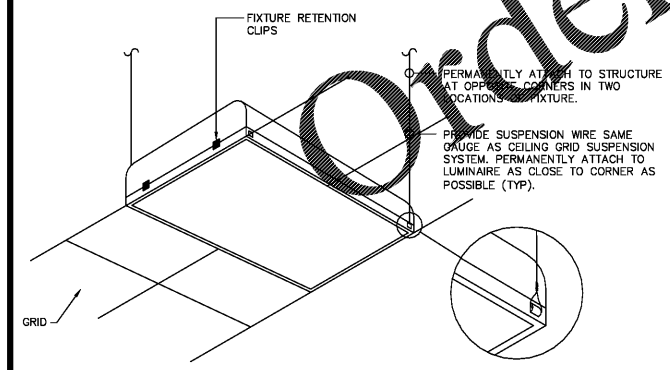
**EXTERIOR LIGHTING CONTROL DIAGRAM**  
NO SCALE



**LIGHTING CONTROL WIRING DIAGRAM**  
NO SCALE



**OCCUPANCY SENSOR 'OS' MOUNTING DETAIL**  
NO SCALE



**RECESSED LAY-IN LIGHTING FIXTURE MOUNTING DETAIL**  
NO SCALE