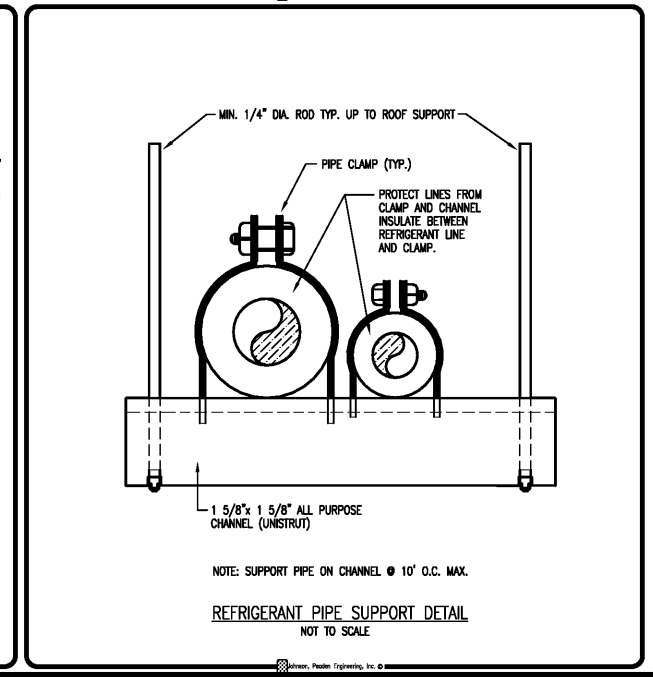
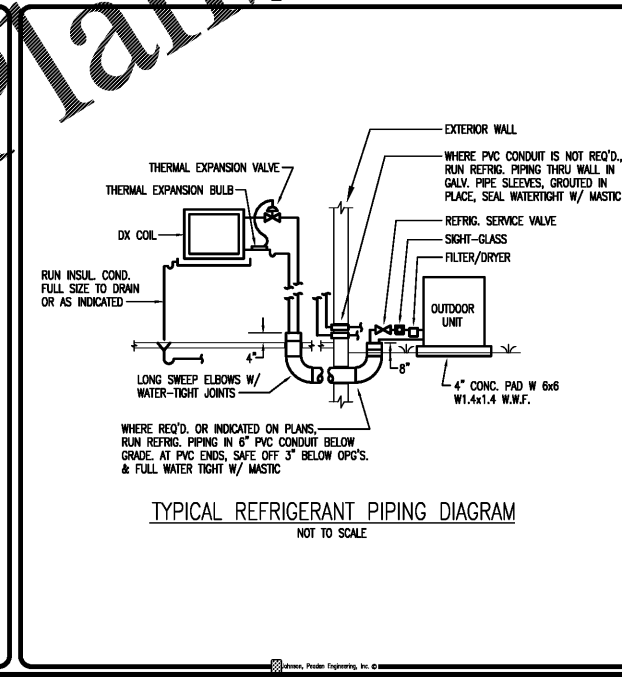
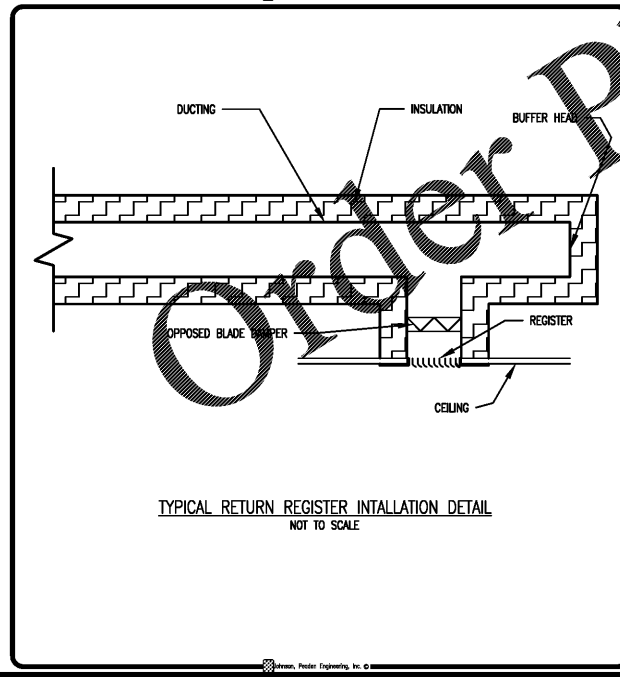
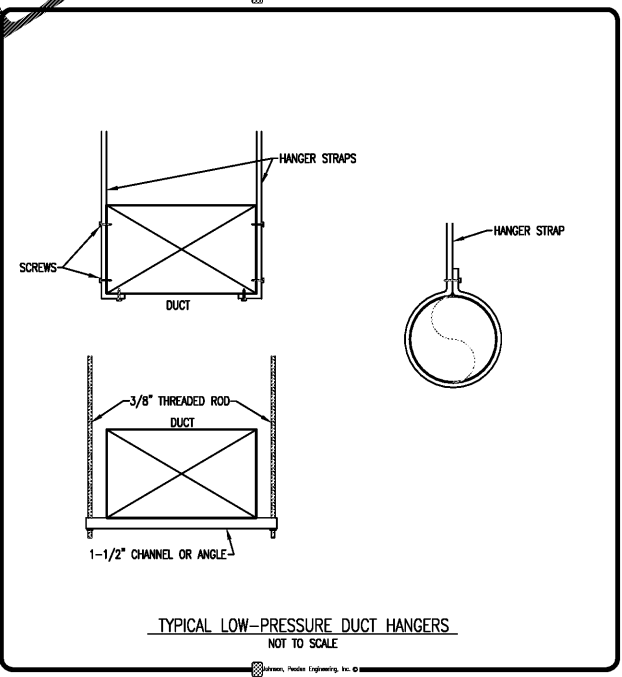
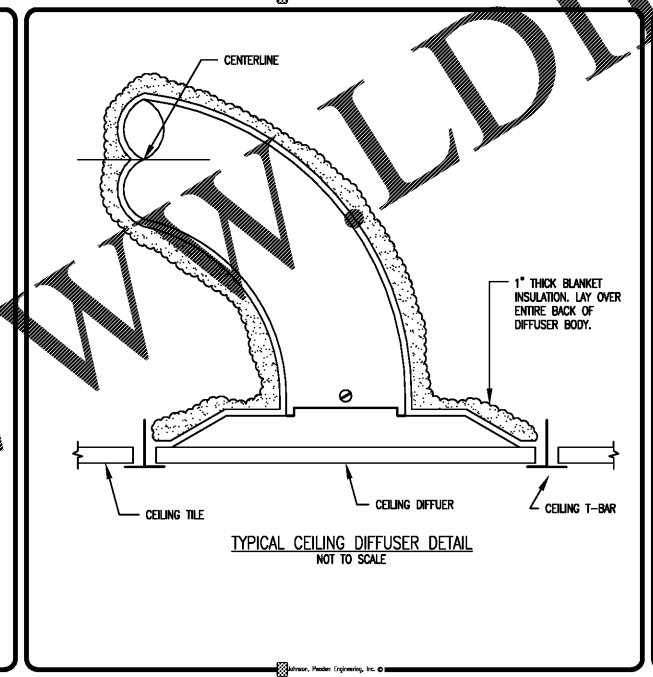
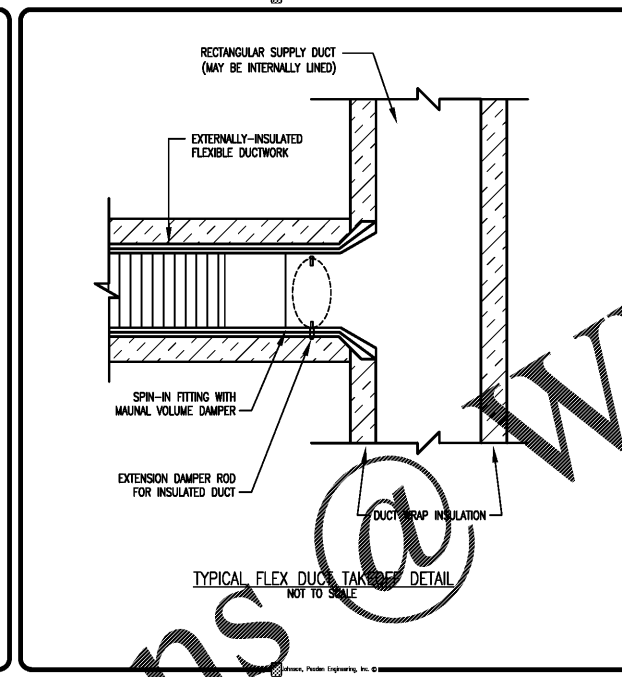
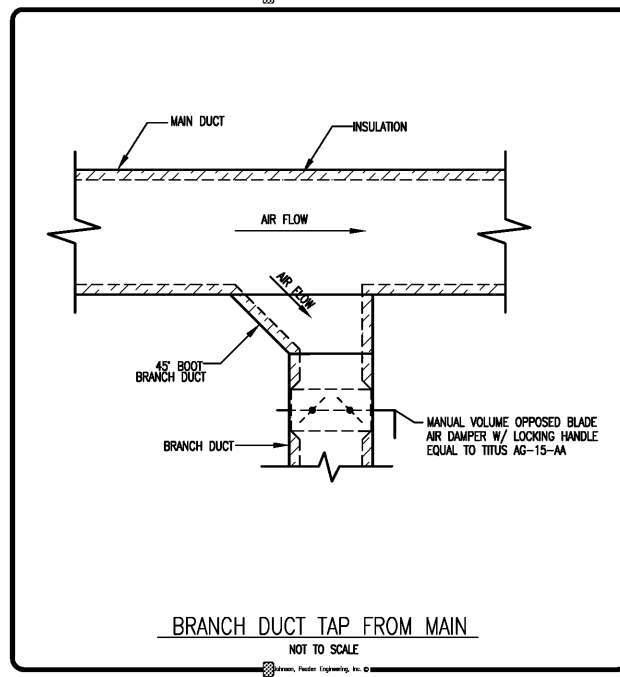
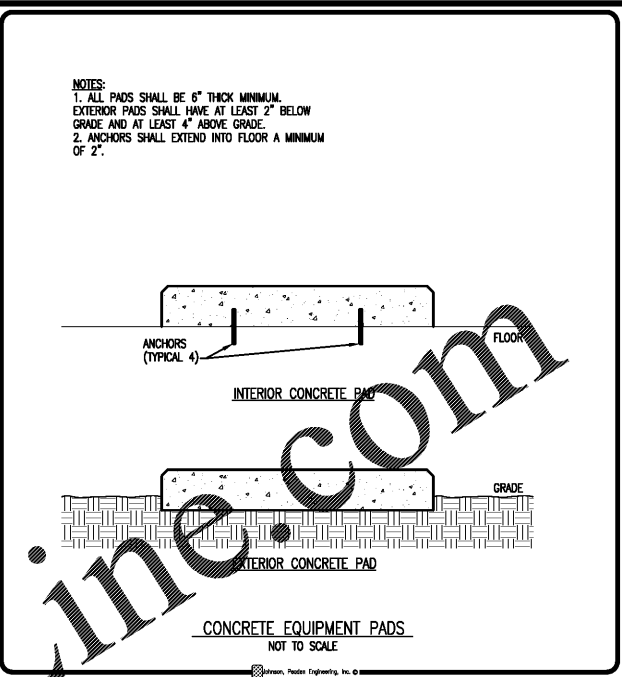
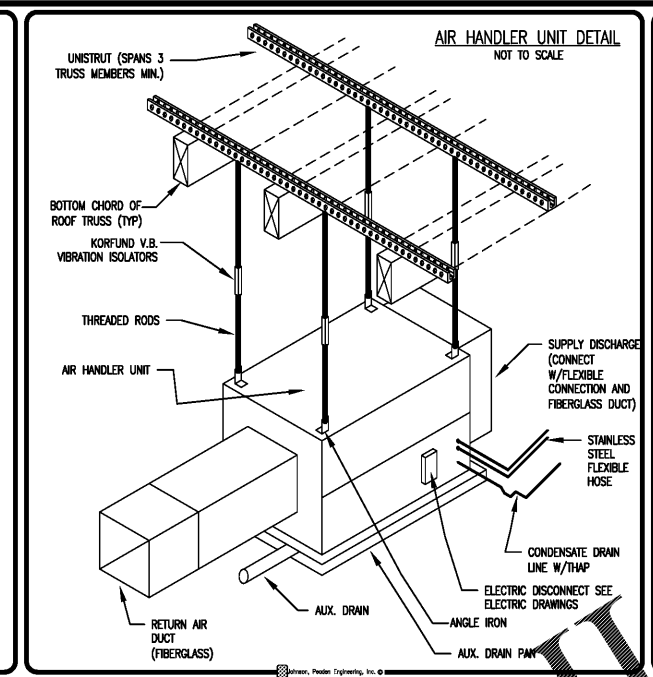
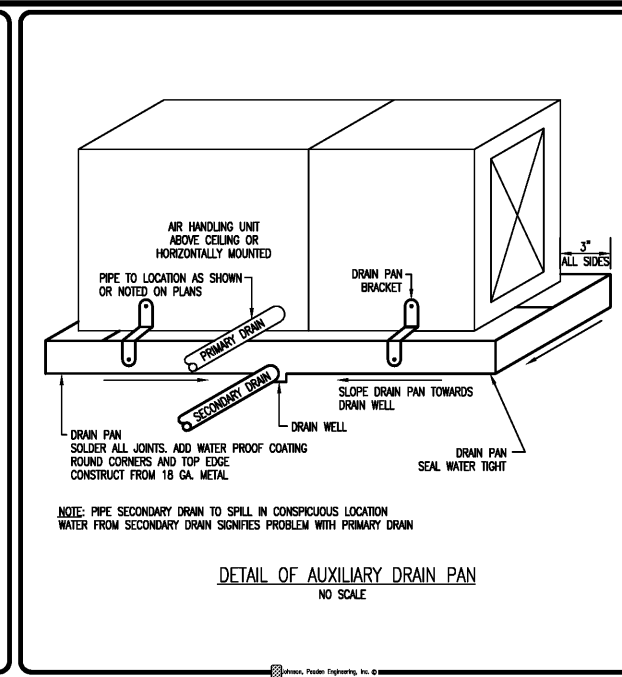
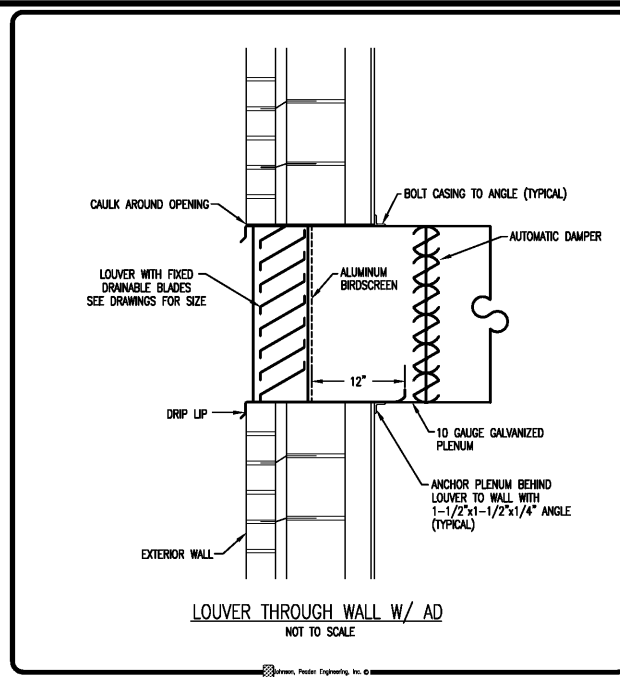


Z:\CAD\Hendon + Huckestein\TCU Dothan\M1.0.dwg, 6/23/2020 4:24:18 PM, Johnson, Peaden Engineering, Inc.



JOHNSON PEADEN ENGINEERING INC.

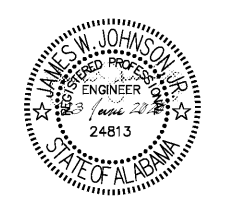
328 Brooks Street SE
Fort Walton Beach, FL 32548
850.244.6180V 850.244.0545F

627 Grace Avenue
Panama City, FL 32401
850.215.4068V 850.215.4068F

Alabama #CD-2429-E Arkansas #1654 Florida #00009014
Georgia #PEF003983 Mississippi #E-00000862
Tennessee #737347

These plans, the ideas and the concepts contained herein including any digital information are the sole property of Johnson, Peaden Engineering, Inc. They are not to be reproduced, copied, modified or changed without the expressed written permission of Johnson, Peaden Engineering, Inc.

JPE Job Number: 2026



Hendon Huckestein architects, PC

architecture . planning . interior design

2126 Morris Avenue
Birmingham, AL 35203
Phone (205) 322-1751
Fax (205) 322-1778
email info@hplusha.com
www.hplusha.com

A New Branch Bank for

Tyndall

FEDERAL CREDIT UNION

Dothan, Alabama

RELEASES / DESCRIPTION / DATES	
NOT FOR CONSTRUCTION	<input type="checkbox"/>
RELEASED FOR CONSTRUCTION	<input checked="" type="checkbox"/>
DATE	06.23.2020
DRAWN	JMP
CHECKED	JWJ
APPROVED	HHHA
PROJECT NUMBER	20012.01
SHEET TITLE	MECHANICAL DETAILS
DRAWING NO.	M2.0