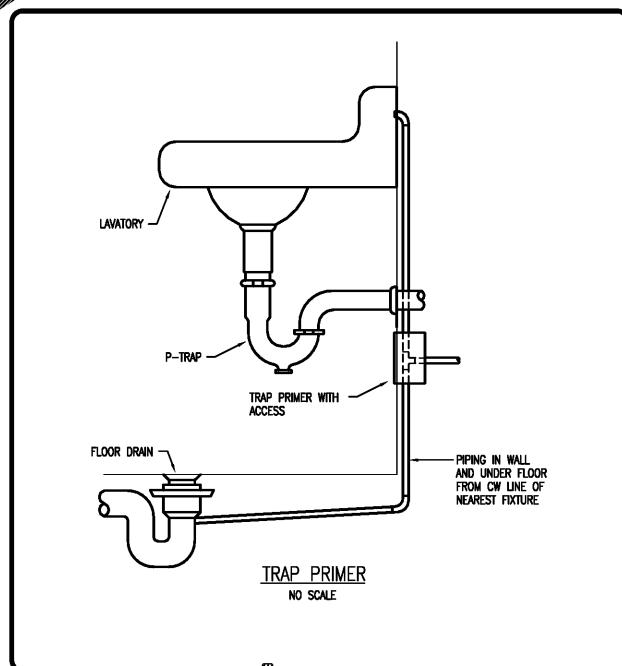
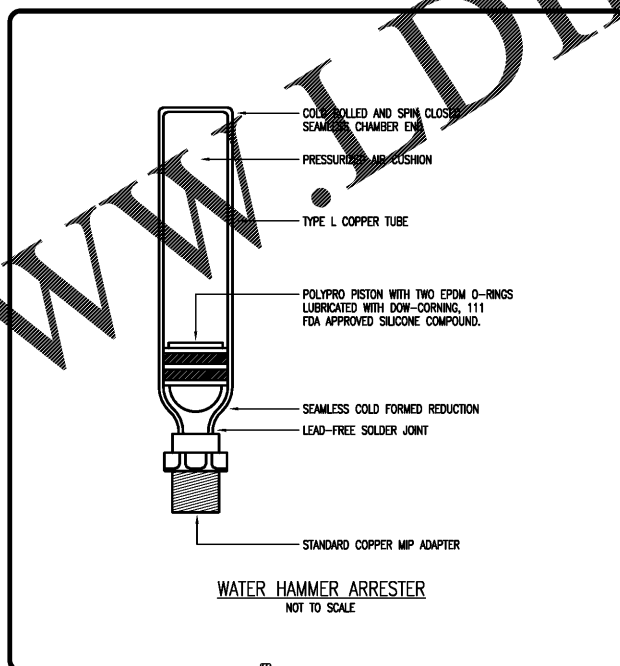
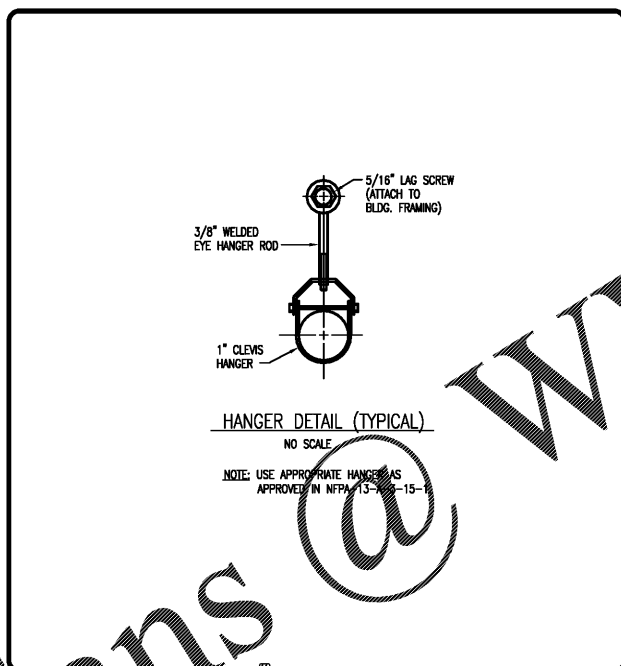
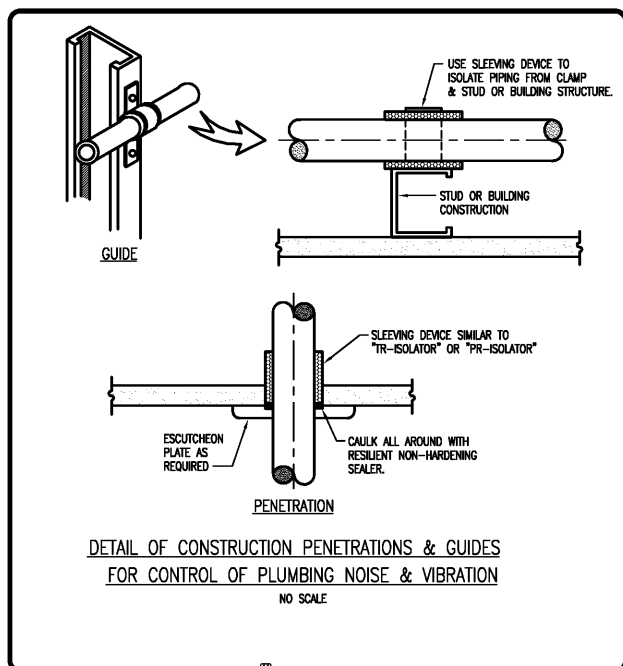
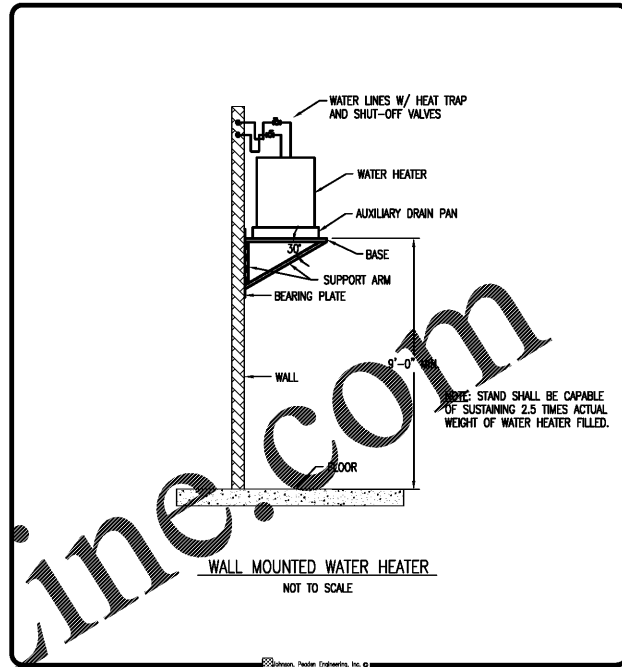
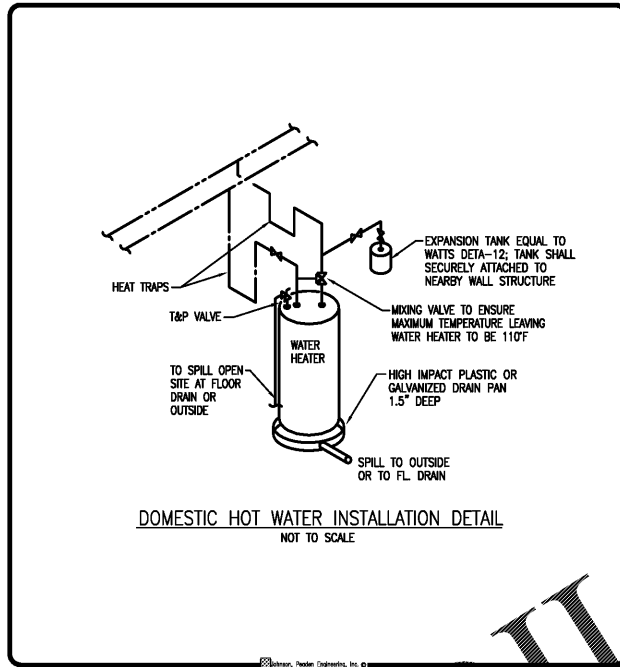
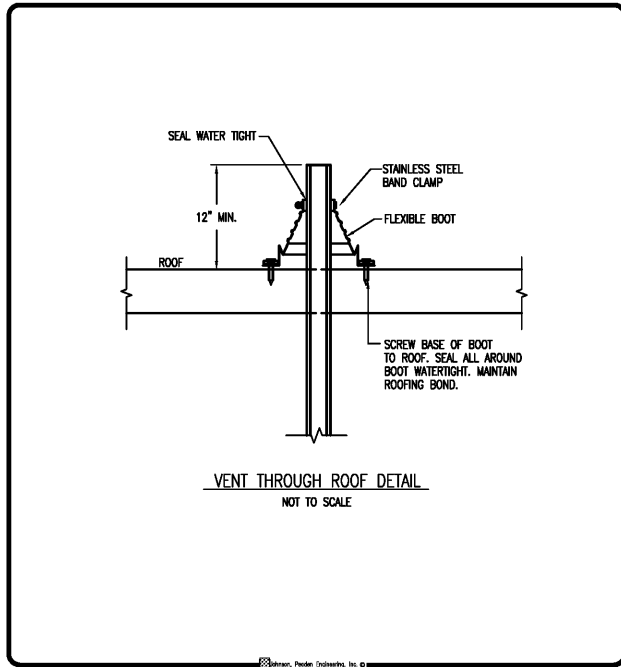
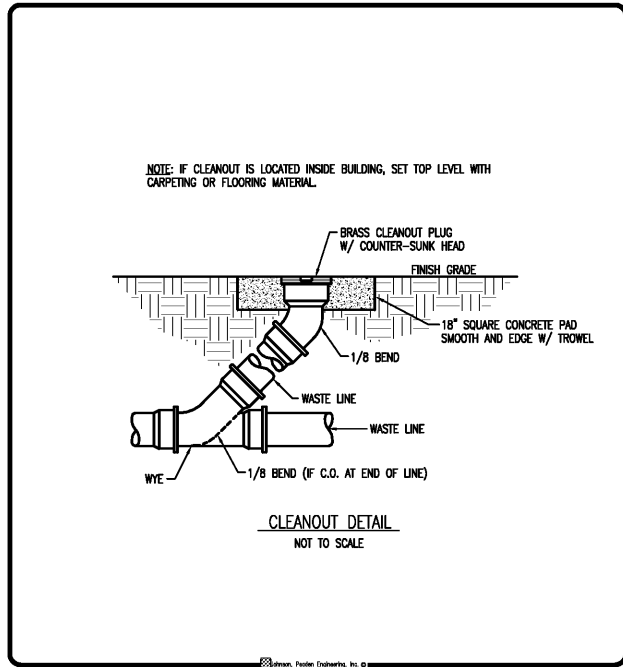
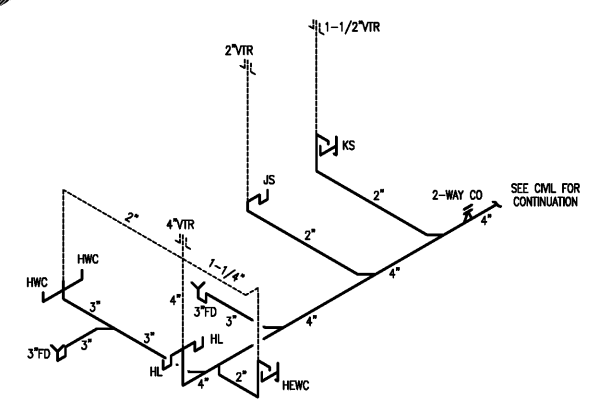


Z:\CAD\Hendon + Huckestein\TCU Dothan\1.0.dwg, 6/23/2020 4:24:16 PM, Johnson, Peaden Engineering, Inc.



Order Plans @ WWW.WJDHLINE.COM



**JOHNSON PEADEN ENGINEERING INC.**  
328 Brooks Street SE, Fort Walton Beach, FL 32548  
627 Grace Avenue, Panama City, FL 32401  
850.244.6189V, 850.244.0546F, 850.215.4068V, 850.215.4068F  
Alabama #CD-2429-E, Arkansas #1654, Florida #00009014, Georgia #PEF000983, Mississippi #E-00000862, Tennessee #737347

These plans, the ideas and the concepts contained herein including any digital information are the sole property of Johnson, Peaden Engineering, Inc. They are not to be reproduced, copied, modified or changed without the expressed written permission of Johnson, Peaden Engineering, Inc.

JPE Job Number: 2026

**James W. Johnson, Jr.**  
Professional Engineer  
No. 24813  
State of Alabama

**Hendon Huckestein architects, PC**  
architecture . planning . interior design  
2126 Morris Avenue, Birmingham, AL 35203  
Phone (205) 322-1751, Fax (205) 322-1778, email info@hplusha.com, www.hplusha.com

A New Branch Bank for  
**Tyndall**  
FEDERAL CREDIT UNION  
Dothan, Alabama

RELEASES / DESCRIPTION / DATES	
NOT FOR CONSTRUCTION	<input type="checkbox"/>
RELEASED FOR CONSTRUCTION	<input checked="" type="checkbox"/>
DATE	06.23.2020
DRAWN	JMP
CHECKED	JWJ
APPROVED	HHA
PROJECT NUMBER	20012.01
SHEET TITLE	PLUMBING DETAILS
DRAWING NO.	P2.0