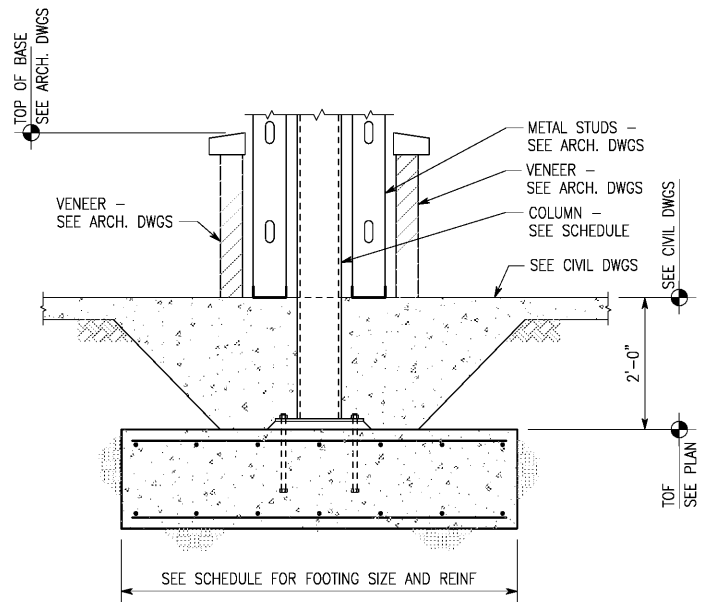
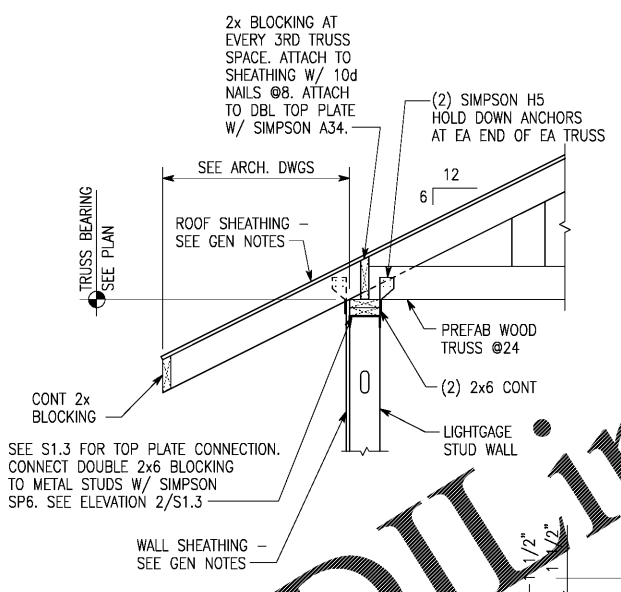


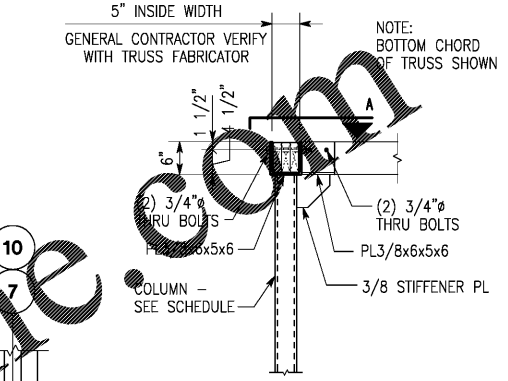
1 Section
 S3.1 3/4"=1'-0"



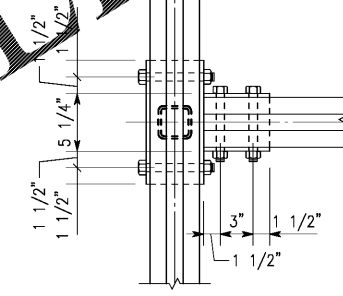
2 Section
 S3.1 3/4"=1'-0"



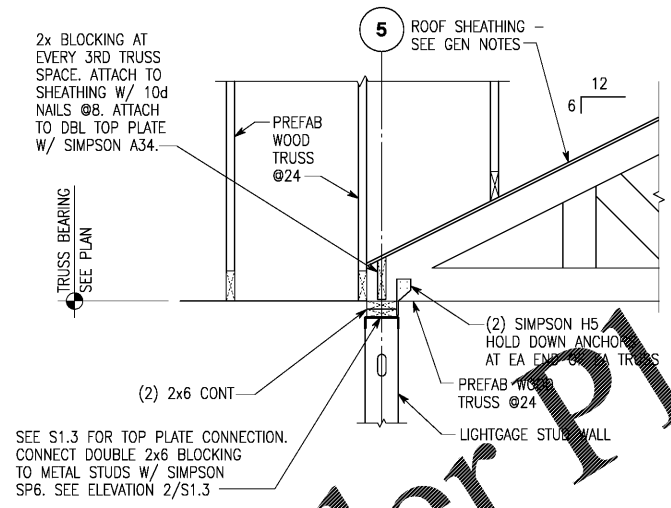
3 Section
 S3.1 3/4"=1'-0"



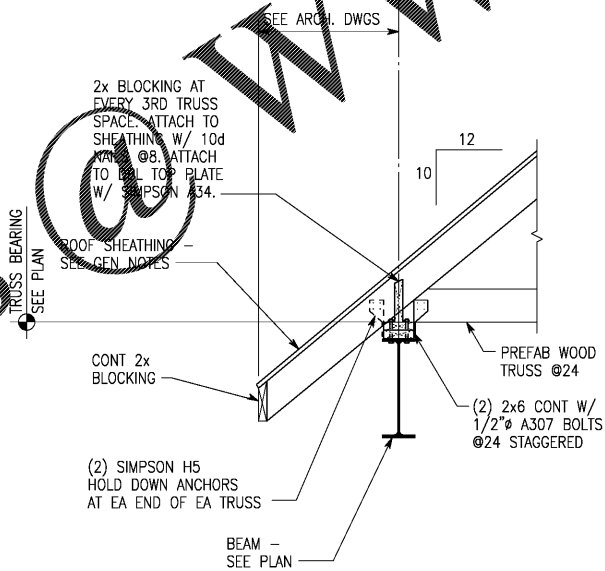
4 Section
 S3.1 3/4"=1'-0"
 TYP AT 3 INTERIOR POSTS.
 SIM AT GRID D/6.



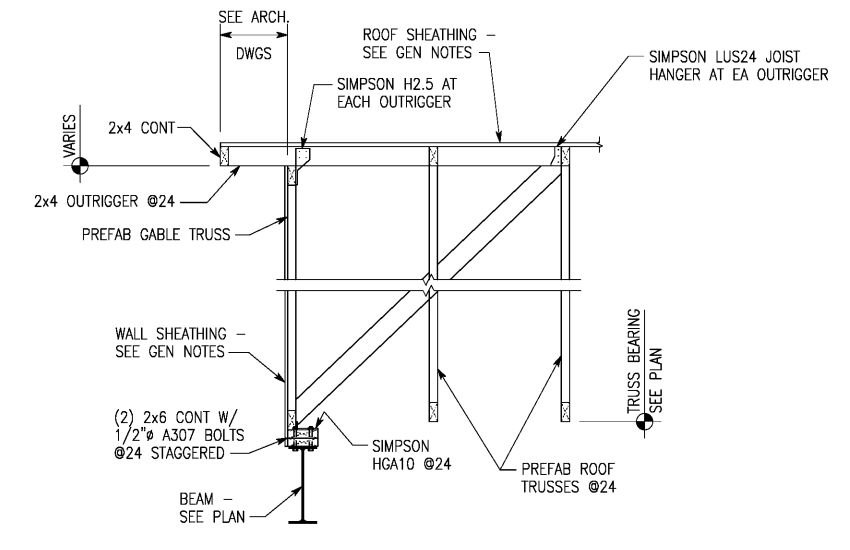
Section A



5 Section
 S3.1 3/4"=1'-0"



6 Section
 S3.1 3/4"=1'-0"



7 Section
 S3.1 3/4"=1'-0"

Order Plans @ www.LDOnline.com

RELEASES / DESCRIPTION / DATES	
NOT FOR CONSTRUCTION	<input type="checkbox"/>
RELEASED FOR CONSTRUCTION	<input checked="" type="checkbox"/>
DATE	06.23.2020
DRAWN	GVA
CHECKED	WAW
APPROVED	ROW
PROJECT NUMBER	20012.01

SHEET TITLE
SECTIONS

DRAWING NO.
S3.1