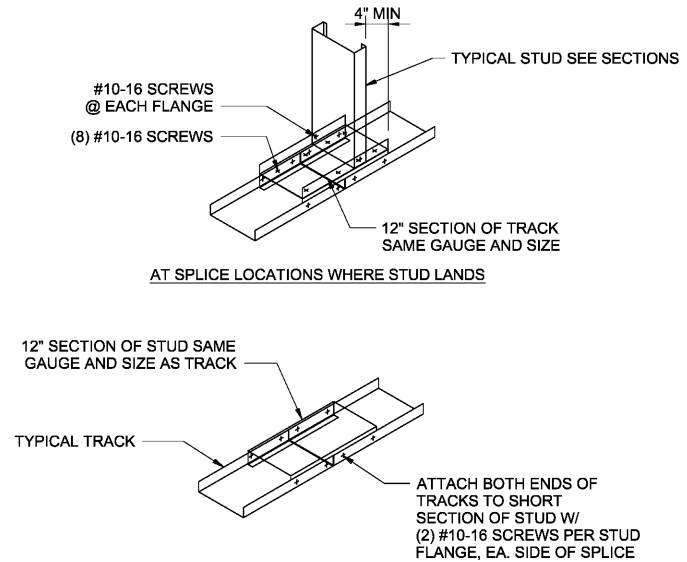
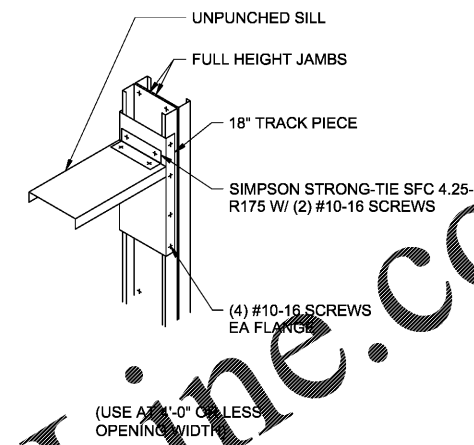


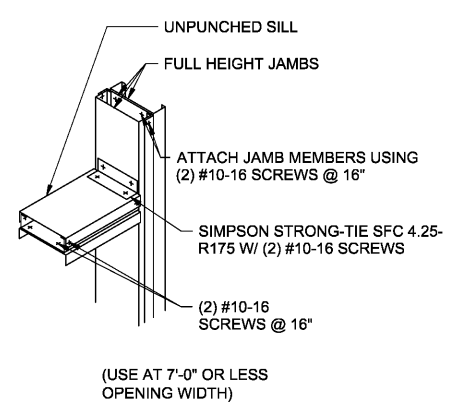
**1 Stud To Track To Slab Detail**  
 S1.3B 3/4" = 1'-0"



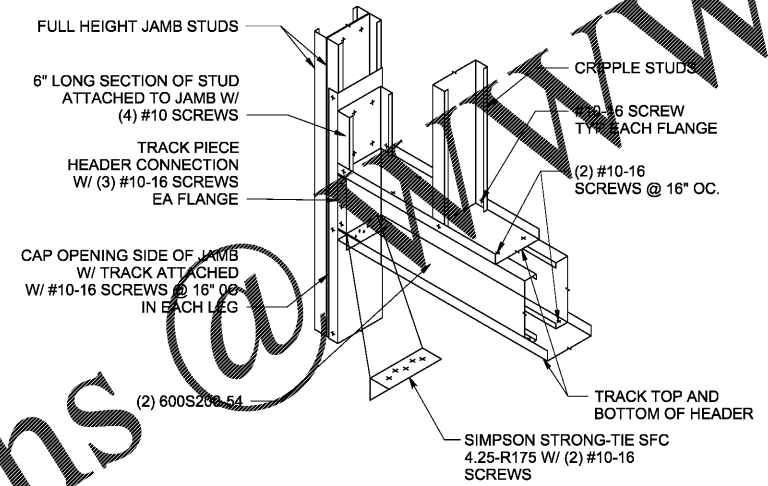
**2 Track Splice**  
 S1.3B 3/4" = 1'-0"



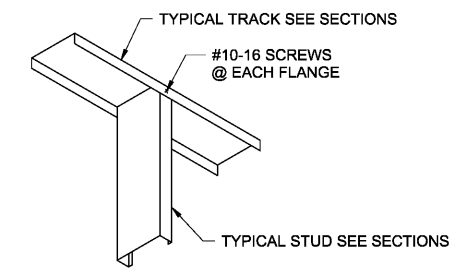
**3 Sill Detail**  
 S1.3B 3/4" = 1'-0"



**4 Sill Detail 2**  
 S1.3B 3/4" = 1'-0"



**5 Header Detail**  
 S1.3B 3/4" = 1'-0"



**6 Stud To Top Track**  
 S1.3B 3/4" = 1'-0"

Order Plans @ WWW.LDILINE.COM

RELEASES / DESCRIPTION / DATES	
NOT FOR CONSTRUCTION	<input type="checkbox"/>
RELEASED FOR CONSTRUCTION	<input checked="" type="checkbox"/>
DATE	06.23.2020
DRAWN	GVA
CHECKED	WAW
APPROVED	ROW
PROJECT NUMBER	20012.01
SHEET TITLE	LIGHT-GAUGE STEEL FRAMING TYPICAL DETAILS
DRAWING NO.	S1.3B