

NOTE:  
PLYWOOD PANELS TO  
BE INSTALLED HORIZONTALLY

SEE HOLD-DOWN  
DETAILS - THIS SHEET

TRACK ANCHORS  
SEE GEN. NOTES  
AND TYPICAL DETAILS

FINISH FLOOR  
- SEE PLAN

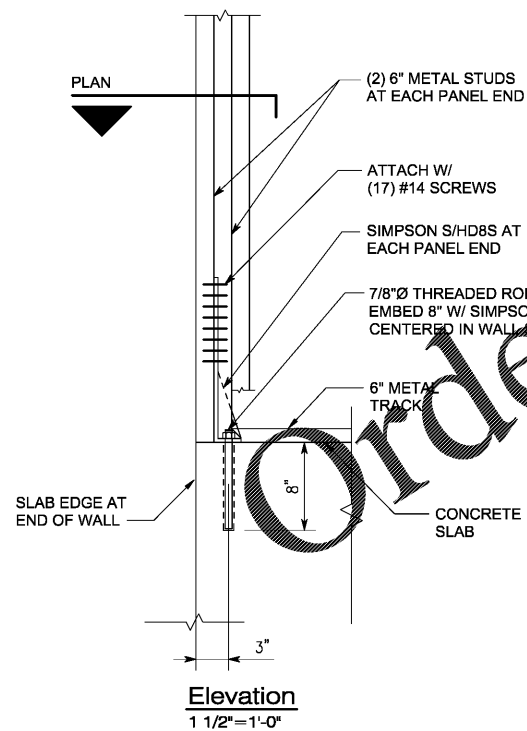
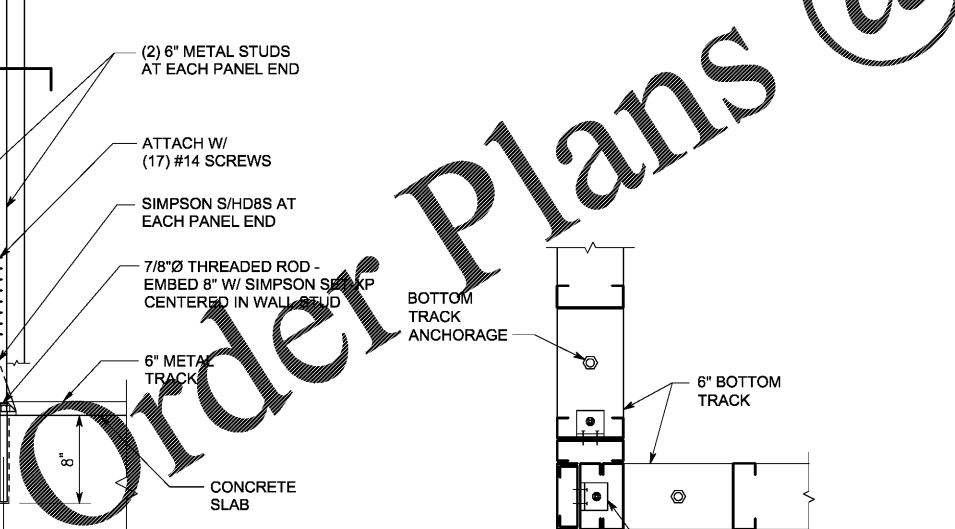
CONC SLAB

OPENING WIDTH

**Exterior Plywood and Shear Wall Panel Construction**

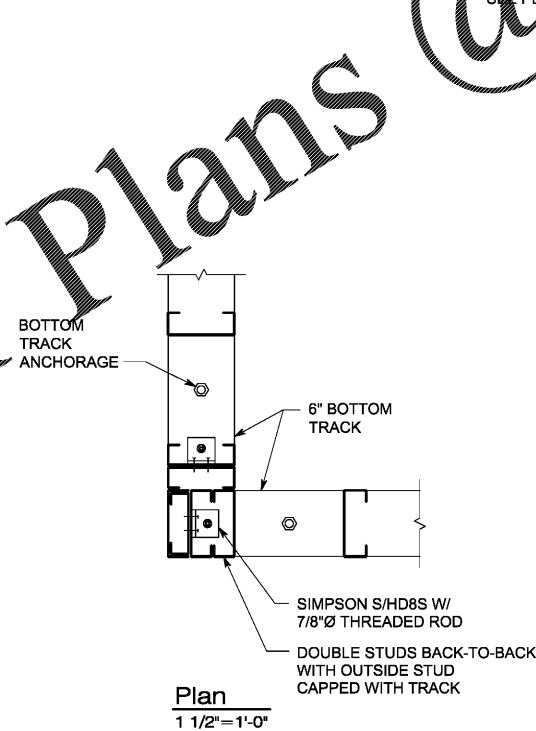
3/4" = 1'-0"

SEE PLAN FOR LOCATION

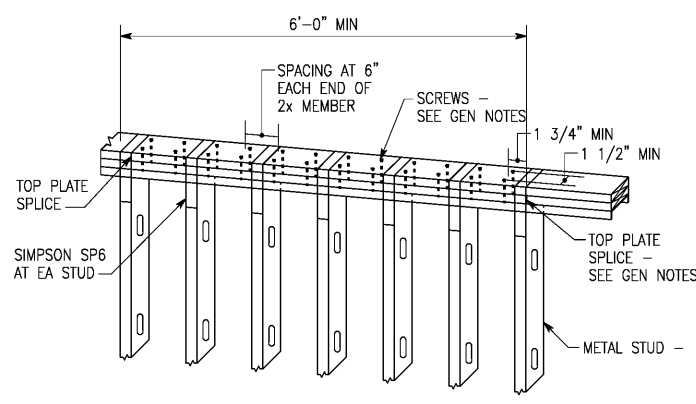


**Elevation**  
1 1/2" = 1'-0"

**Hold-Down Details**

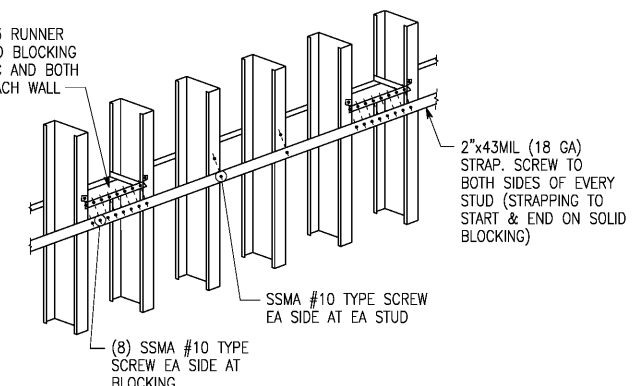


**Plan**  
1 1/2" = 1'-0"



**Top Plate Connection**  
TYPICAL

600T200-43 RUNNER  
TRACK SOLID BLOCKING  
@ 8'-0" OC AND BOTH  
ENDS OF EACH WALL



**Lateral Bracing at Exterior Wall**

RELEASES / DESCRIPTION / DATES

NOT FOR CONSTRUCTION   
RELEASED FOR CONSTRUCTION

DATE 06.23.2020

DRAWN GVA

CHECKED WAW

APPROVED ROW

PROJECT NUMBER 20012.01

SHEET TITLE  
LIGHT-GAUGE STEEL  
FRAMING TYPICAL DETAILS

DRAWING NO.

S1.3A