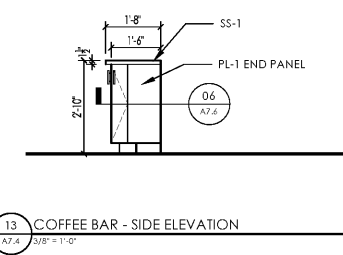
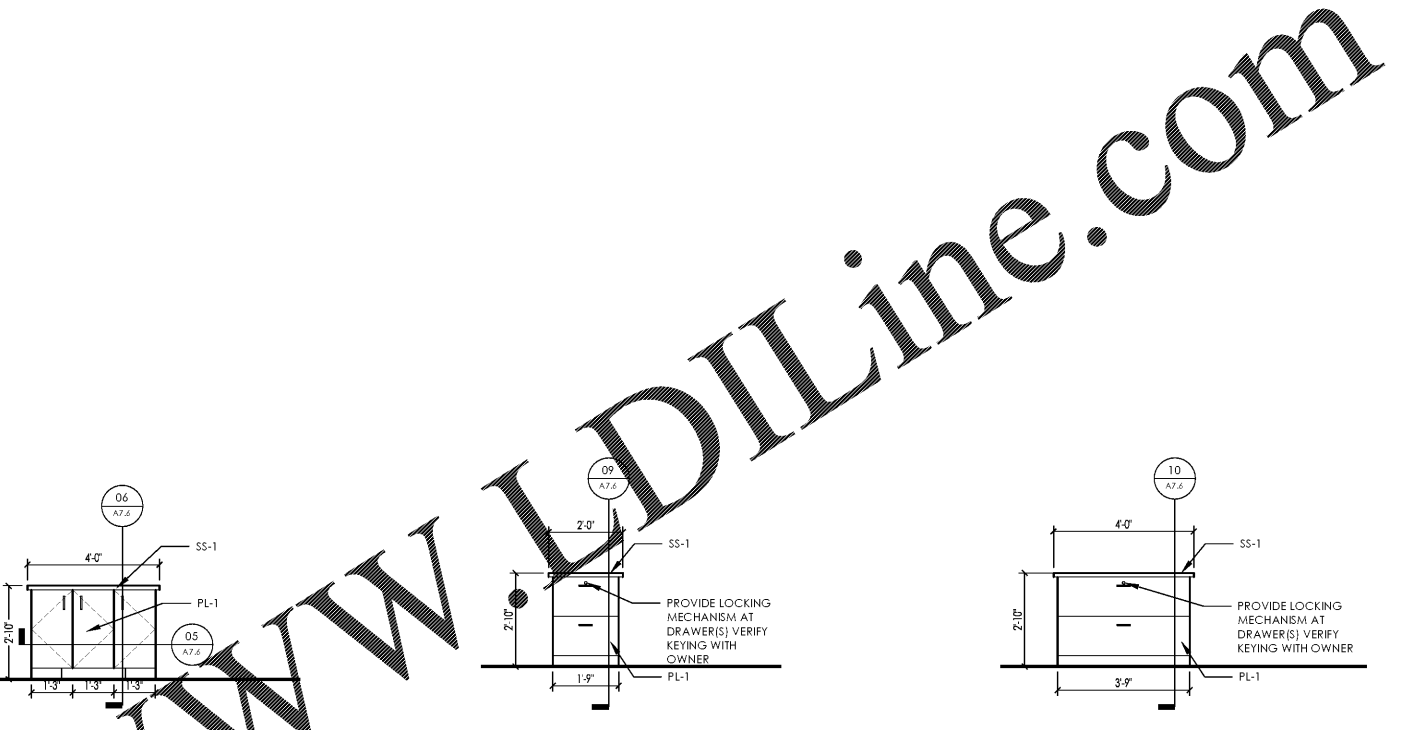


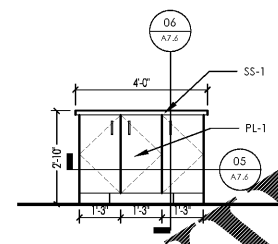
MILLWORK GENERAL NOTES

- 1. EXPOSED WOOD SURFACES TO BE FINISHED PL-1, UNLESS OTHERWISE NOTED
- 2. MILLWORK FRONTS & DOORS MATERIAL IS TO BE PLYWOOD.
- 3. MILLWORK BODIES & CASINGS MATERIAL IS TO BE MDF.
- 4. ALL MILLWORK IN WET LOCATIONS IS TO BE CONSTRUCTED ON MARINE-GRADE PLYWOOD.
- 5. DOOR/DRAWER PULLS TO BE HARFLE 117.97.461, CHROME MATTE FINISH, 3/4" HOLE SPACING
- 6. HINGES TO BE CONCEALED, SALIC C289A99, SATIN FINISH
- 7. CABINET SHELF STANDARDS TO BE KV PK255(ZC)
- 8. INTERIOR SURFACES, INCLUDING INSIDES OF DOORS, ARE TO BE LINED WITH WHITE MELAMINE
- 9. HARDWARE TO BE SUBMITTED FOR APPROVAL
- 10. VERIFY EQUIPMENT OPENINGS PRIOR TO FABRICATION

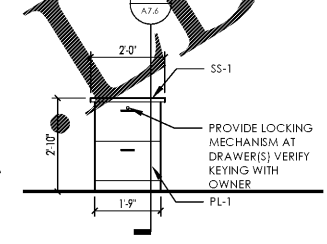
hendon huckestein architects, PC
 architecture . planning . interior design
 2126 Morris Avenue
 Birmingham, AL 35203
 Phone (205) 322-1751
 Fax (205) 322-1778
 email info@hplusha.com
 www.hplusha.com



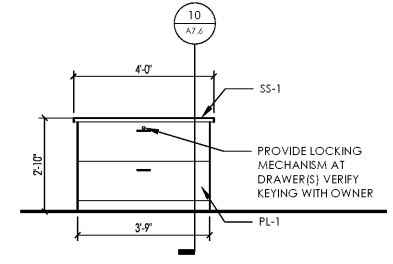
13 COFFEE BAR - SIDE ELEVATION
A7.4 3/8" = 1'-0"



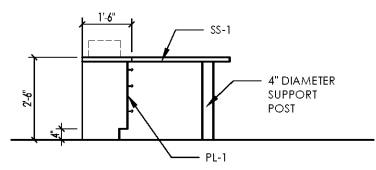
12 COFFEE BAR - FRONT ELEVATION
A7.4 3/8" = 1'-0"



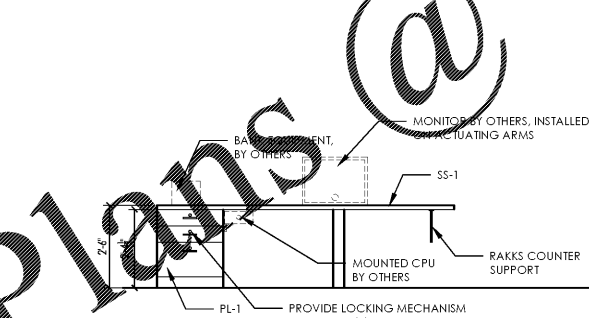
11 OFFICE FILE CABINET - FRONT ELEVATION
A7.4 3/8" = 1'-0"



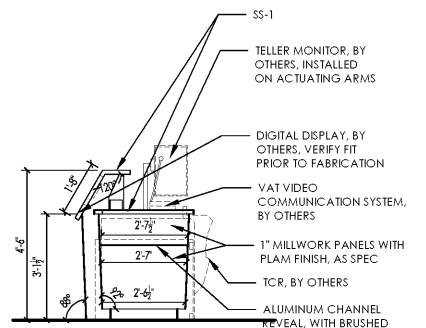
10 OFFICE CABINET - FRONT ELEVATION
A7.4 3/8" = 1'-0"



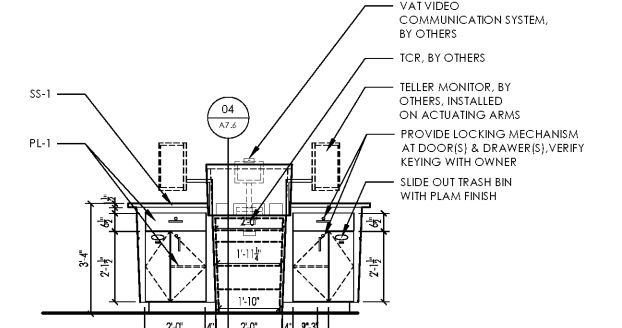
09 FSR WORKSTATION - SIDE ELEVATION
A7.4 3/8" = 1'-0"



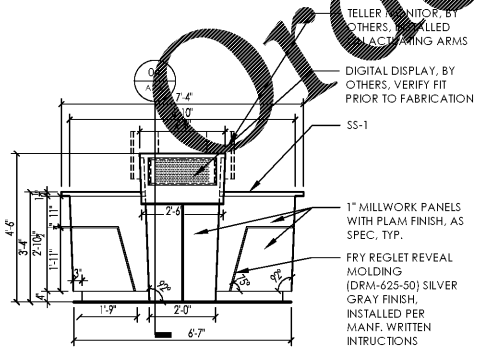
08 FSR WORKSTATION - FRONT ELEVATION
A7.4 3/8" = 1'-0"



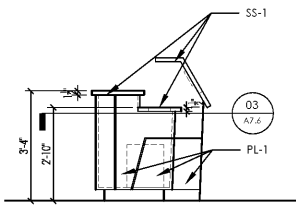
07 TELLER TOWER - SIDE ELEVATION
A7.4 3/8" = 1'-0"



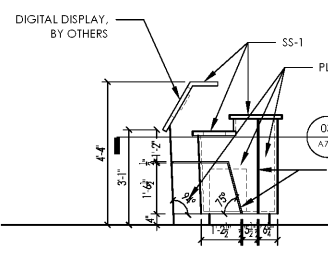
06 TELLER TOWER - REAR ELEVATION
A7.4 3/8" = 1'-0"



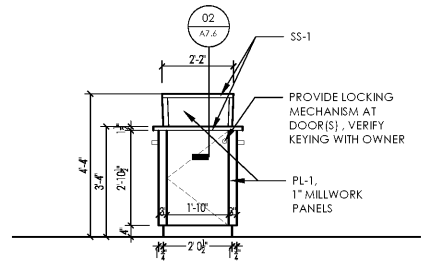
05 TELLER TOWER - FRONT ELEVATION
A7.4 3/8" = 1'-0"



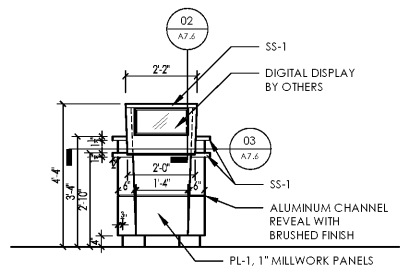
04 CHECK IN STATION - SIDE ELEVATION II
A7.4 3/8" = 1'-0"



03 CHECK IN STATION - SIDE ELEVATION
A7.4 3/8" = 1'-0"



02 CHECK IN STATION - REAR ELEVATION
A7.4 3/8" = 1'-0"



01 CHECK IN STATION - FRONT ELEVATION
A7.4 3/8" = 1'-0"

A New Branch Bank for
Tyndall
 FEDERAL CREDIT UNION
 Dothan, Alabama

RELEASES / DESCRIPTION / DATES

NOT FOR CONSTRUCTION
 RELEASED FOR CONSTRUCTION

DATE 06.23.2020
 DRAWN -
 CHECKED -
 APPROVED HHHA

PROJECT NUMBER 20012.01

SHEET TITLE
 MILLWORK ELEVATIONS

DRAWING NO. A7.4