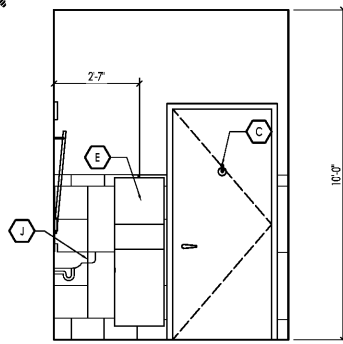


Order Plans @ www.LDILine.com

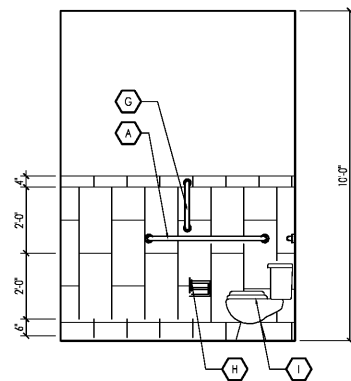
TOILET ACCESSORY LEGEND

ALL ACCESSORIES ARE SPECIFIED AS BASIS OF DESIGN ONLY. APPROVED EQUAL WILL BE CONSIDERED.

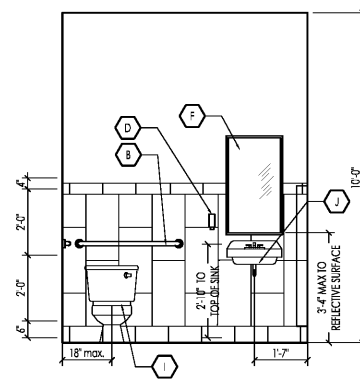
- A** 42" GRAB BAR: STAINLESS STEEL FRAMED, 1-1/2" INCHES OUTSIDE DIA., W/ SNAP-ON FLANGE COVERS BASIS OF DESIGN BY BOBRICK. : 1-1/2" INCHES CLEARANCE BETWEEN WALL AND INSIDE OF GRAB BAR.
- B** 36" GRAB BAR: STAINLESS STEEL FRAMED, 1-1/2" INCHES OUTSIDE DIA., W/ SNAP-ON FLANGE COVERS BASIS OF DESIGN BY BOBRICK. : 1-1/2" INCHES CLEARANCE BETWEEN WALL AND INSIDE OF GRAB BAR.
- C** COAT HOOKS: FINISH: SST MOUNTING HEIGHT: 48" ON-CENTER AFF. AMERICAN SPECIALTIES 730.
- D** LIQUID SOAP DISPENSER: SURFACE WALL MOUNTED SOAP DISPENSER BASIS OF DESIGN BY BOBRICK - 2112.
- E** PAPER TOWEL COMBO UNIT: STAINLESS STEEL, SEMI-RECESSED DOUBLE ROLL PAPER TOWEL DISPENSER AND WASTE RECEPTACLE. BASIS OF DESIGN BY BOBRICK - MODEL 1044.
- F** MIRROR: BASIS OF DESIGN BY B293; STAINLESS STEEL MIRROR MOUNT BOTTOM @ 40 MAX A.F.F.
- G** 18" VERTICAL GRAB: STAINLESS STEEL FRAMED, 1-1/2" INCHES OUTSIDE DIA., W/ SNAP-ON FLANGE COVERS BASIS OF DESIGN BY BOBRICK B-224; 1-1/2" INCHES CLEARANCE BETWEEN WALL AND INSIDE OF GRAB BAR.
- H** TOILET PAPER DISPENSER: STAINLESS STEEL, SEMI-RECESSED DOUBLE ROLL TOILET PAPER HOLDER. MOUNT @ 24" A.F.F. BASIS OF DESIGN PRODUCT: BOBRICK B-6977.
- I** TOILET: ADA COMPLIANT FIXTURE
- J** LAVATORY: ADA COMPLIANT FIXTURE



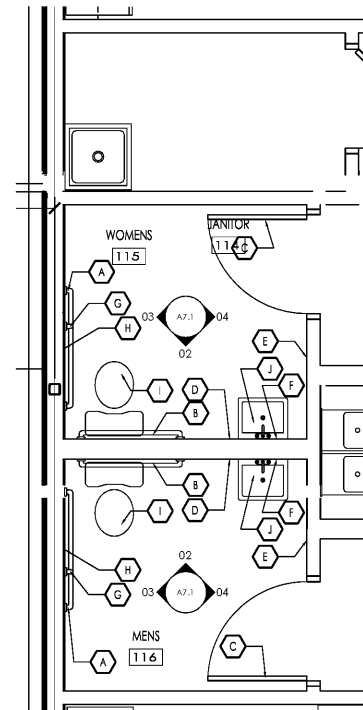
04 TOILET ELEVATION
A7.1 3/8" = 1'-0"



03 TOILET ELEVATION
A7.1 3/8" = 1'-0"



02 TOILET ELEVATION
A7.1 3/8" = 1'-0"



01 ENLARGED PLAN - RESTROOMS & JANITOR
A7.1 3/8" = 1'-0"



architecture . planning . interior design
2126 Morris Avenue
Birmingham, AL 35203
Phone (205) 322-1751
Fax (205) 322-1778
email info@hplusha.com
www.hplusha.com

A New Branch Bank for
Tyndall
FEDERAL CREDIT UNION
Dothan, Alabama

RELEASES / DESCRIPTION / DATES	
NOT FOR CONSTRUCTION	<input type="checkbox"/>
RELEASED FOR CONSTRUCTION	<input checked="" type="checkbox"/>
DATE	06.23.2020
DRAWN	--
CHECKED	--
APPROVED	HHHA
PROJECT NUMBER	20012.01
SHEET TITLE	RESTROOM PLANS & ELEVATIONS

DRAWING NO. **A7.1**