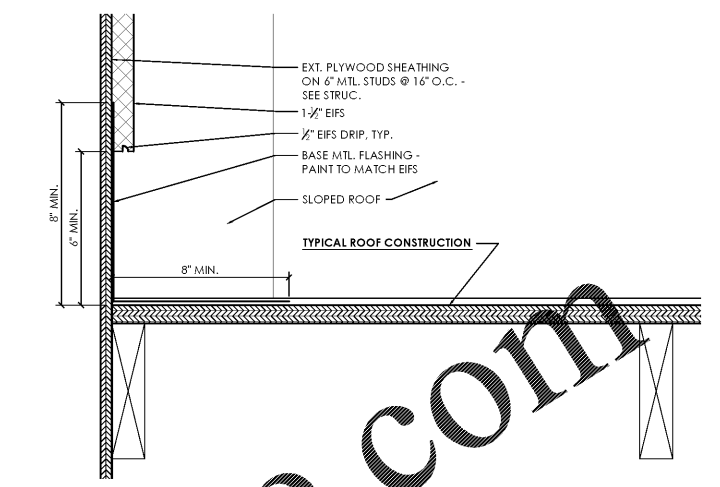
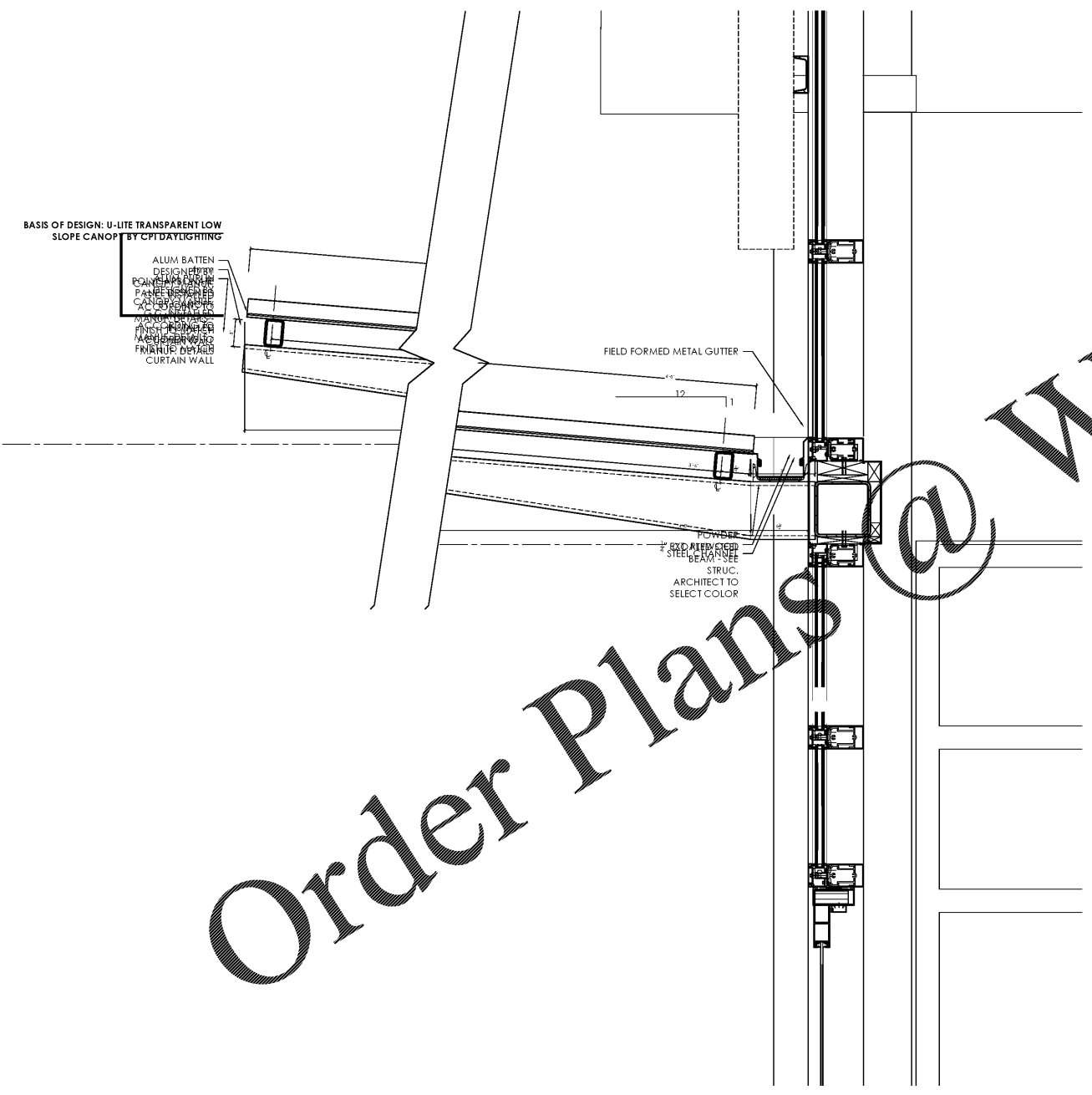


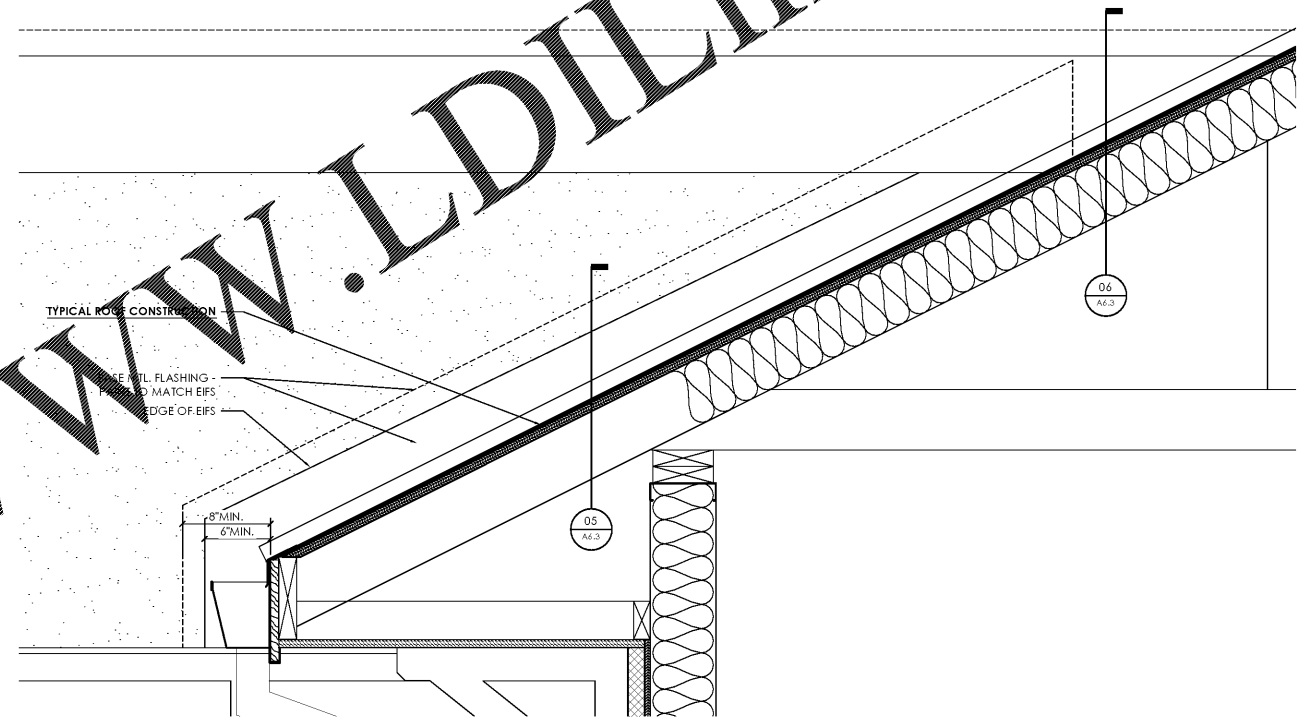
06 VESTIBULE ROOF TO ROOF DETAIL
A6.3 SCALE: 3"=1'-0"



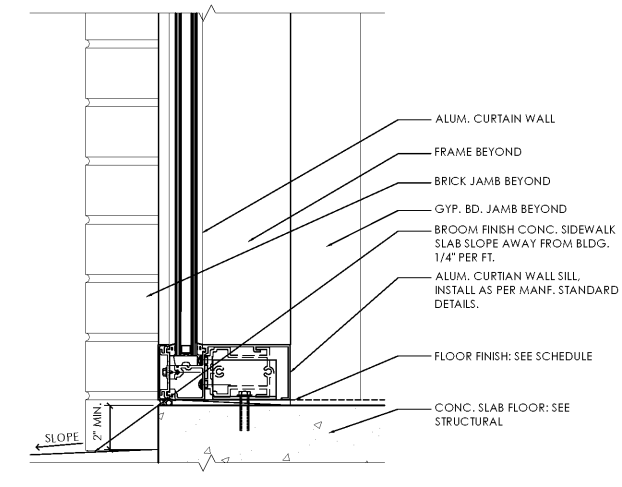
05 VESTIBULE WALL/ROOF DETAIL
A6.3 SCALE: 3"=1'-0"



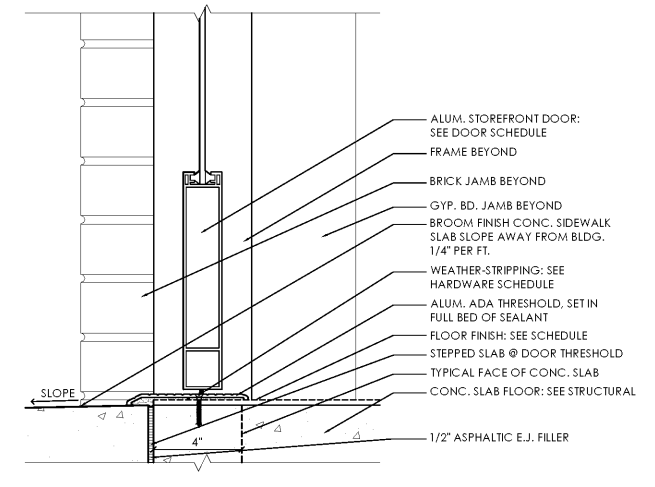
03 ENTRY CANOPY
A6.3 SCALE: 3"=1'-0"



04 SECTION/ELEVATION AT ENTRY TOWER
A6.3 SCALE: 1-1/2"=1'-0"



02 ALUM. STOREFRONT DOOR SILL
A6.3 SCALE: 3"=1'-0"



01 ALUM. STOREFRONT DOOR SILL
A6.3 SCALE: 3"=1'-0"



architecture . planning . interior design
2126 Morris Avenue
Birmingham, AL 35203
Phone (205) 322-1751
Fax (205) 322-1778
email info@hplusha.com
www.hplusha.com

A New Branch Bank for
Tyndall
FEDERAL CREDIT UNION
Dothan, Alabama

RELEASES / DESCRIPTION / DATES

RELEASES / DESCRIPTION / DATES	

NOT FOR CONSTRUCTION
RELEASED FOR CONSTRUCTION

DATE	06.23.2020
DRAWN	-
CHECKED	-
APPROVED	HHHA

PROJECT NUMBER 20012.01

SHEET TITLE SECTION DETAILS

DRAWING NO. A6.3

Order Plans @

WWW.LDILine.com