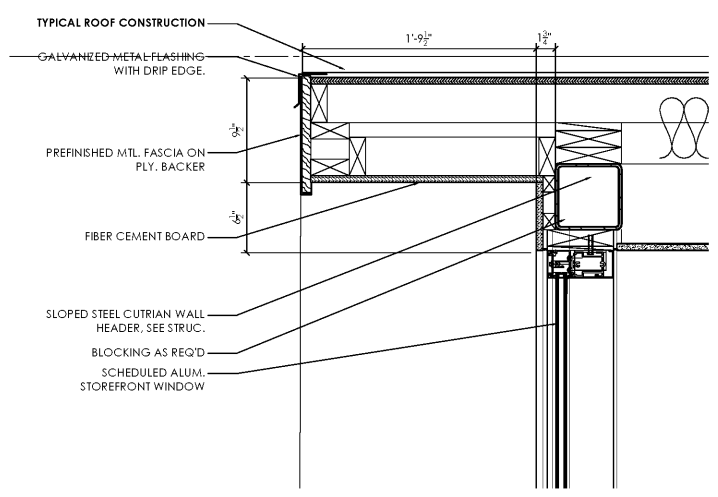
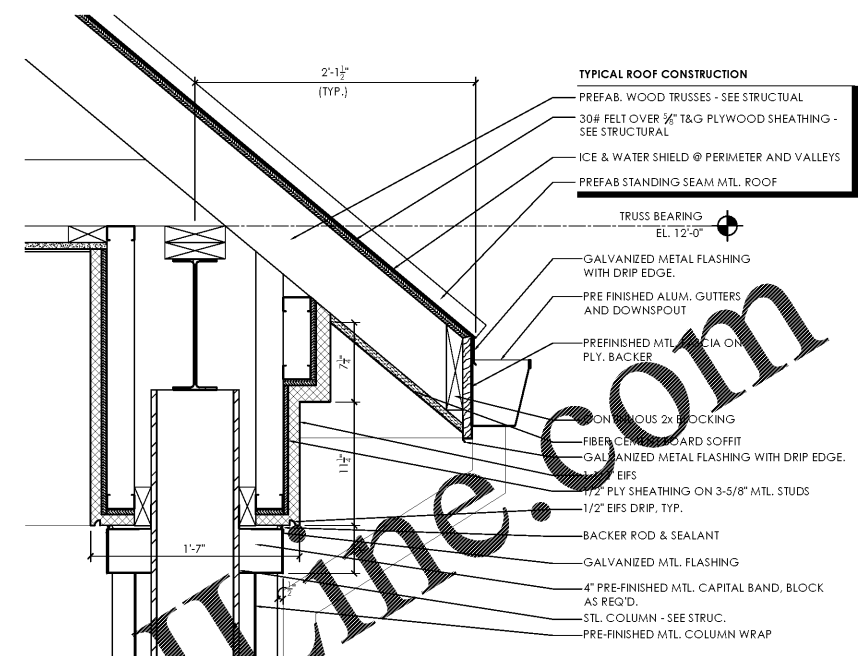


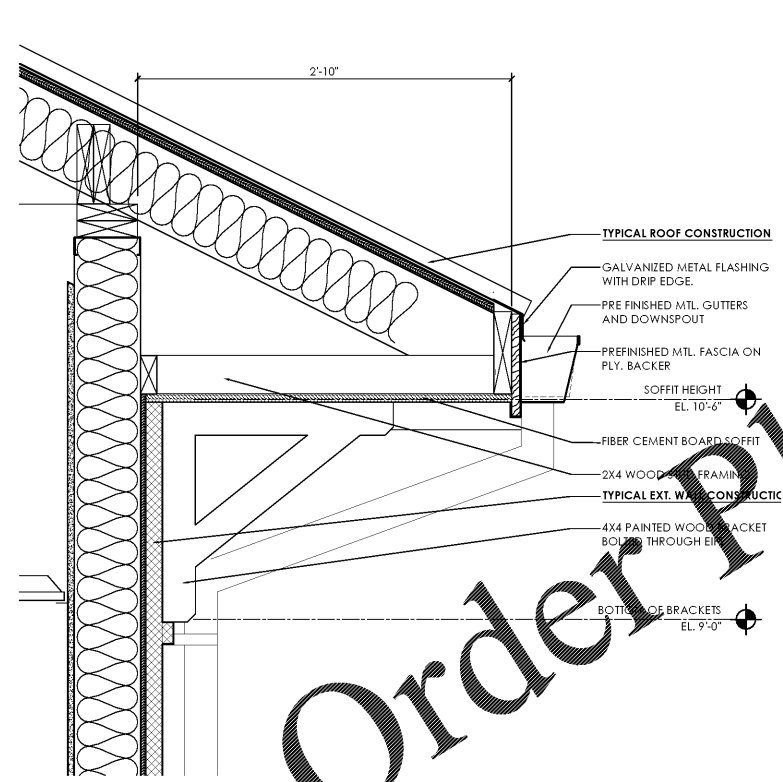
07 SOFFIT DETAIL @ WINDOW
A6.2 SCALE: 1-1/2" = 1'-0"



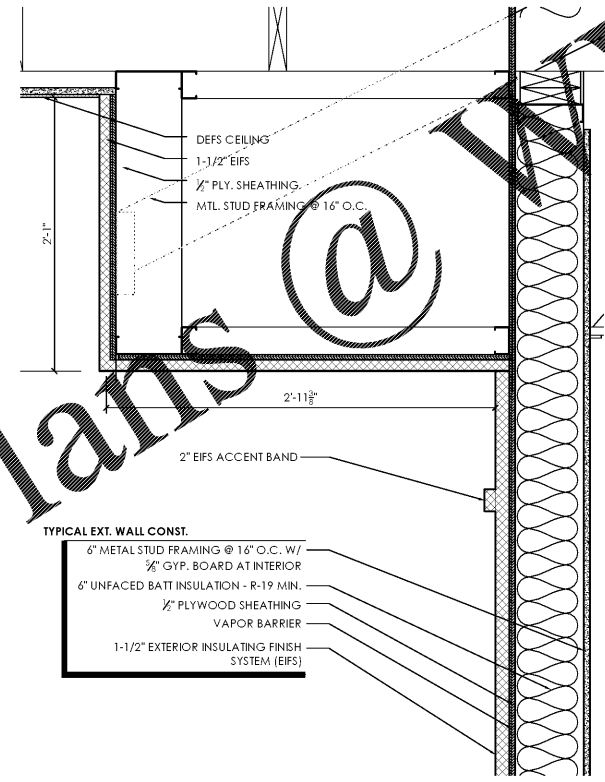
05 SOFFIT DETAIL @ ENTRY
A6.2 SCALE: 1-1/2" = 1'-0"



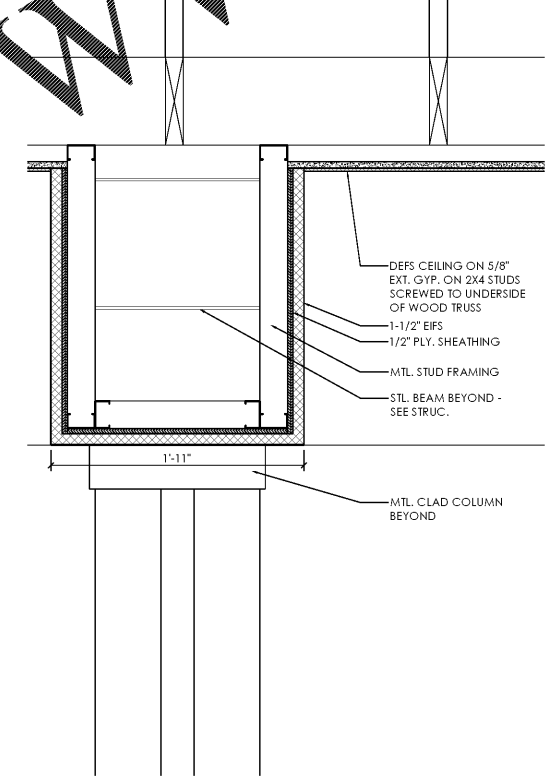
02 DRIVE THRU SOFFIT & BEAM WRAP
A6.2 SCALE: 1-1/2" = 1'-0"



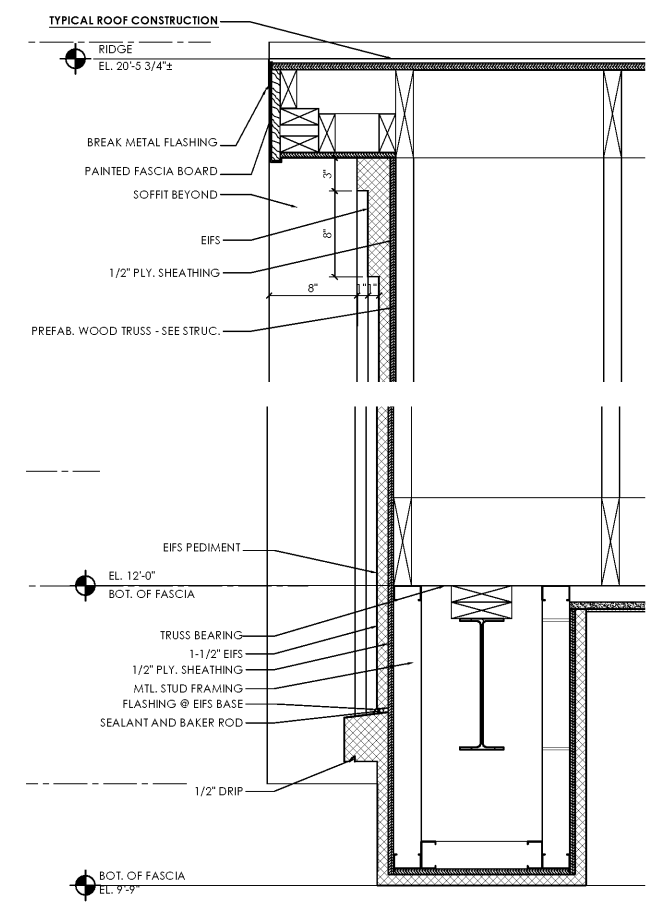
06 SOFFIT DETAIL @ TYP. WALL
A6.2 SCALE: 1-1/2" = 1'-0"



04 SOFFIT @ DRIVE THRU
A6.2 SCALE: 1-1/2" = 1'-0"



03 BEAM WRAP DETAIL @ DRIVE THRU
A6.2 SCALE: 1-1/2" = 1'-0"



01 PEDIMENT DETAIL @ DRIVE THRU
A6.2 SCALE: 1-1/2" = 1'-0"

hendon huckestein architects, pc
architecture . planning . interior design
2126 Morris Avenue
Birmingham, AL 35203
Phone (205) 322-1751
Fax (205) 322-1778
email info@hplusa.com
www.hplusa.com

A New Branch Bank for
Tyndall
FEDERAL CREDIT UNION
Dothan, Alabama

RELEASES / DESCRIPTION / DATES	
NOT FOR CONSTRUCTION	<input type="checkbox"/>
RELEASED FOR CONSTRUCTION	<input checked="" type="checkbox"/>
DATE	06.23.2020
DRAWN	---
CHECKED	---
APPROVED	HHA
PROJECT NUMBER	20012.01
SHEET TITLE	SECTION DETAILS
DRAWING NO.	A6.2