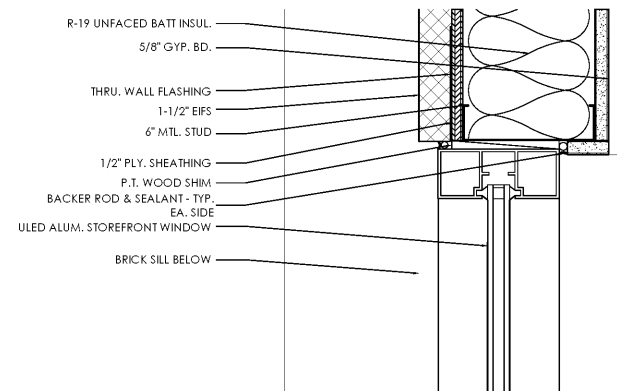
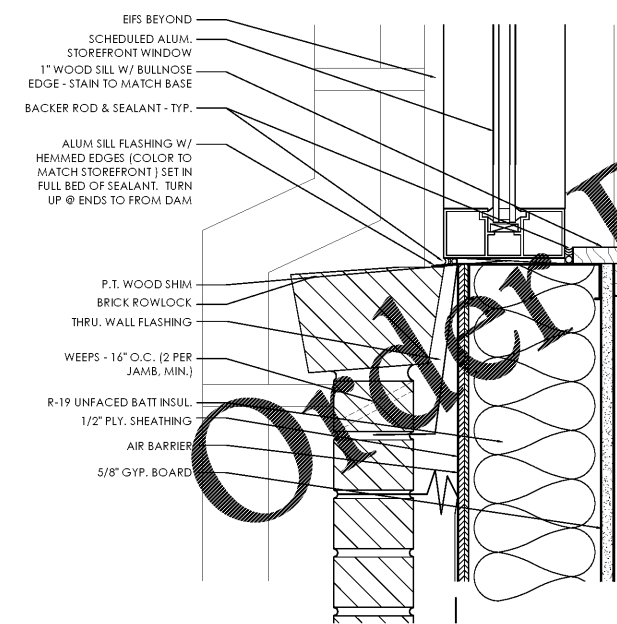


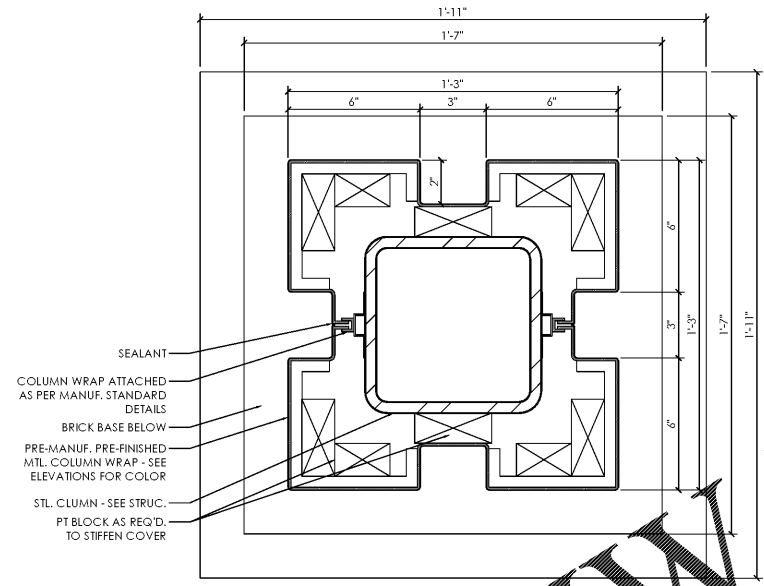
08 TYPICAL WINDOW HEAD
SCALE: 3/8" = 1'-0"



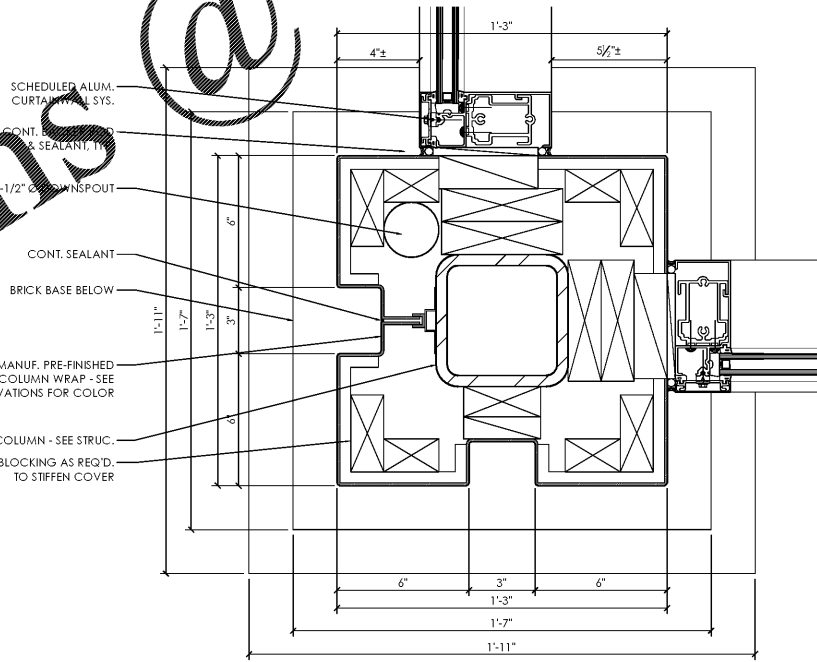
07 TYPICAL WINDOW JAMB
SCALE: 3/8" = 1'-0"



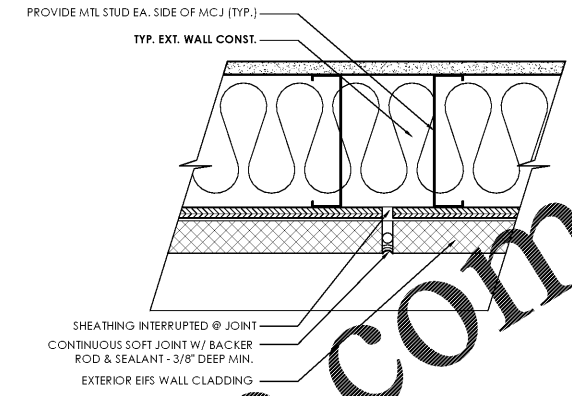
06 TYPICAL WINDOW SILL
SCALE: 3/8" = 1'-0"



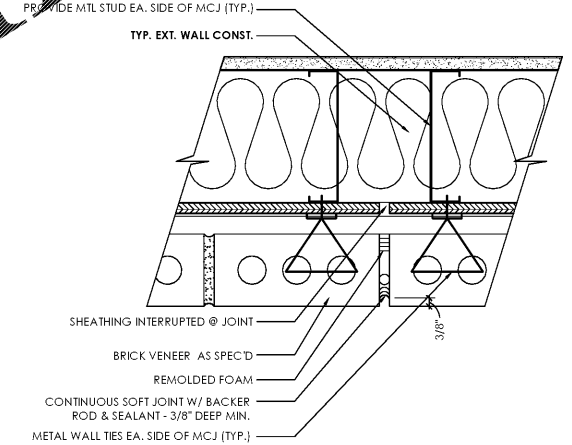
04 MTL. COLUMN WRAP @ DRIVE THRU
SCALE: 3/8" = 1'-0"



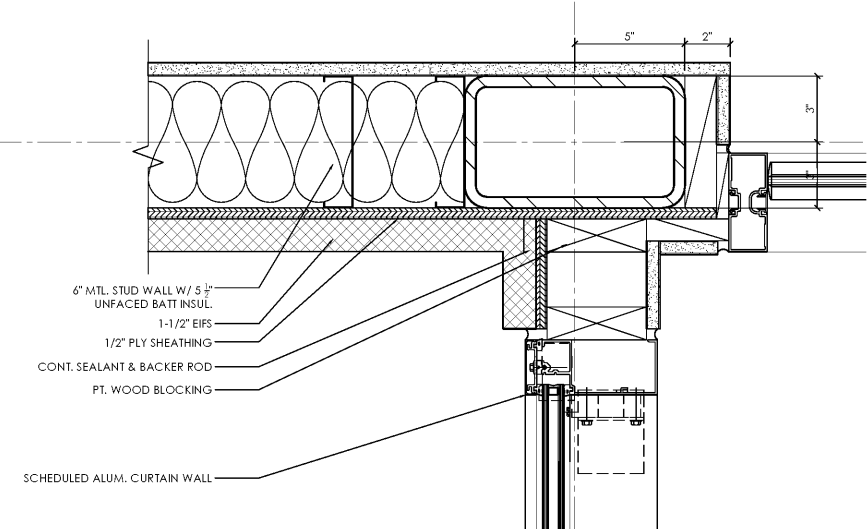
04 COLUMN & STOREFRONT DETAIL @ VESTABULE
SCALE: 3/8" = 1'-0"



03 CONTROL JOINT DETAIL @ EIFS
SCALE: 3/8" = 1'-0"



02 CONTROL JOINT DETAIL @ BRICK BASE
SCALE: 3/8" = 1'-0"



01 STOREFRONT DETAIL @ FRONT ENTRY VESTABULE
SCALE: 3/8" = 1'-0"

hendon
huckestein
architects, pc
architecture . planning . interior design
2126 Morris Avenue
Birmingham, AL 35203
Phone (205) 322-1751
Fax (205) 322-1778
email info@hplusha.com
www.hplusha.com

A New Branch Bank for
Tyndall
FEDERAL CREDIT UNION
Dothan, Alabama

RELEASES / DESCRIPTION / DATES	
NOT FOR CONSTRUCTION	<input type="checkbox"/>
RELEASED FOR CONSTRUCTION	<input checked="" type="checkbox"/>
DATE	06.23.2020
DRAWN	--
CHECKED	--
APPROVED	HHA
PROJECT NUMBER	20012.01
SHEET TITLE	PLAN DETAILS

DRAWING NO. A6.1

Order Plans @ WWW.LDILine.com