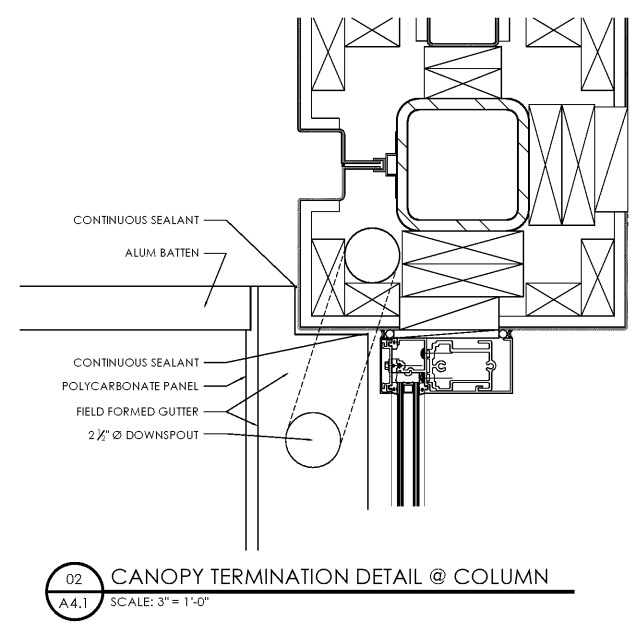
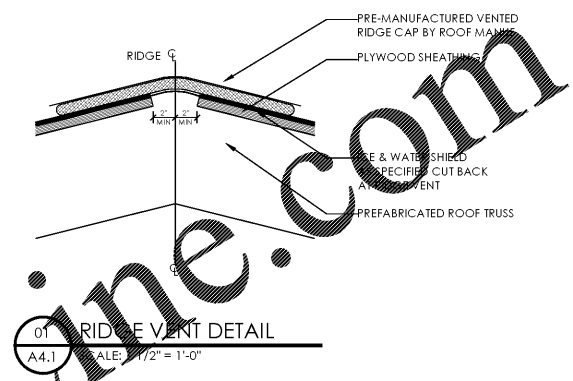


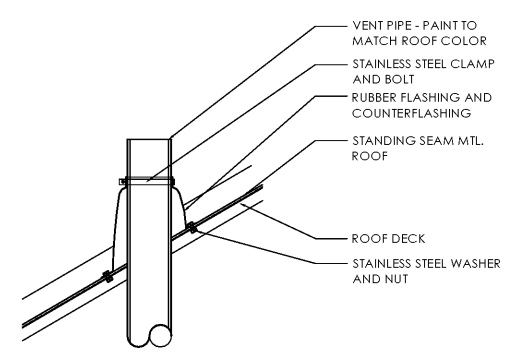
05 ENLARGED PLAN @ CANOPY
A4.1 SCALE: 1/2" = 1'-0"



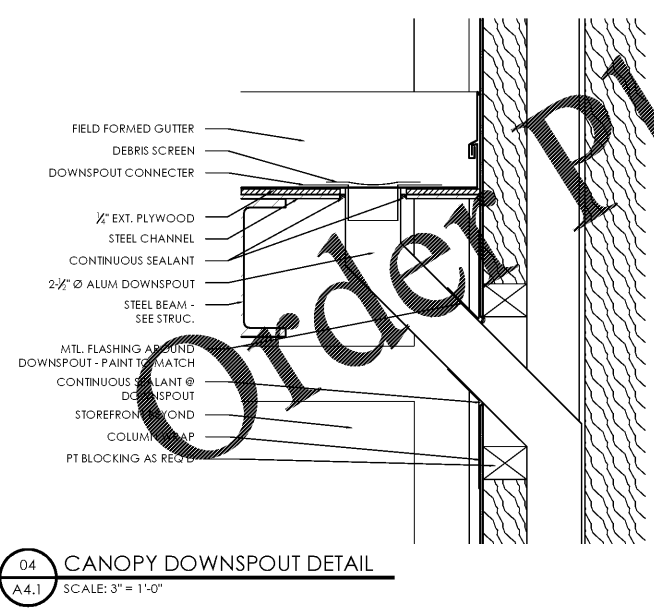
02 CANOPY TERMINATION DETAIL @ COLUMN
A4.1 SCALE: 3" = 1'-0"



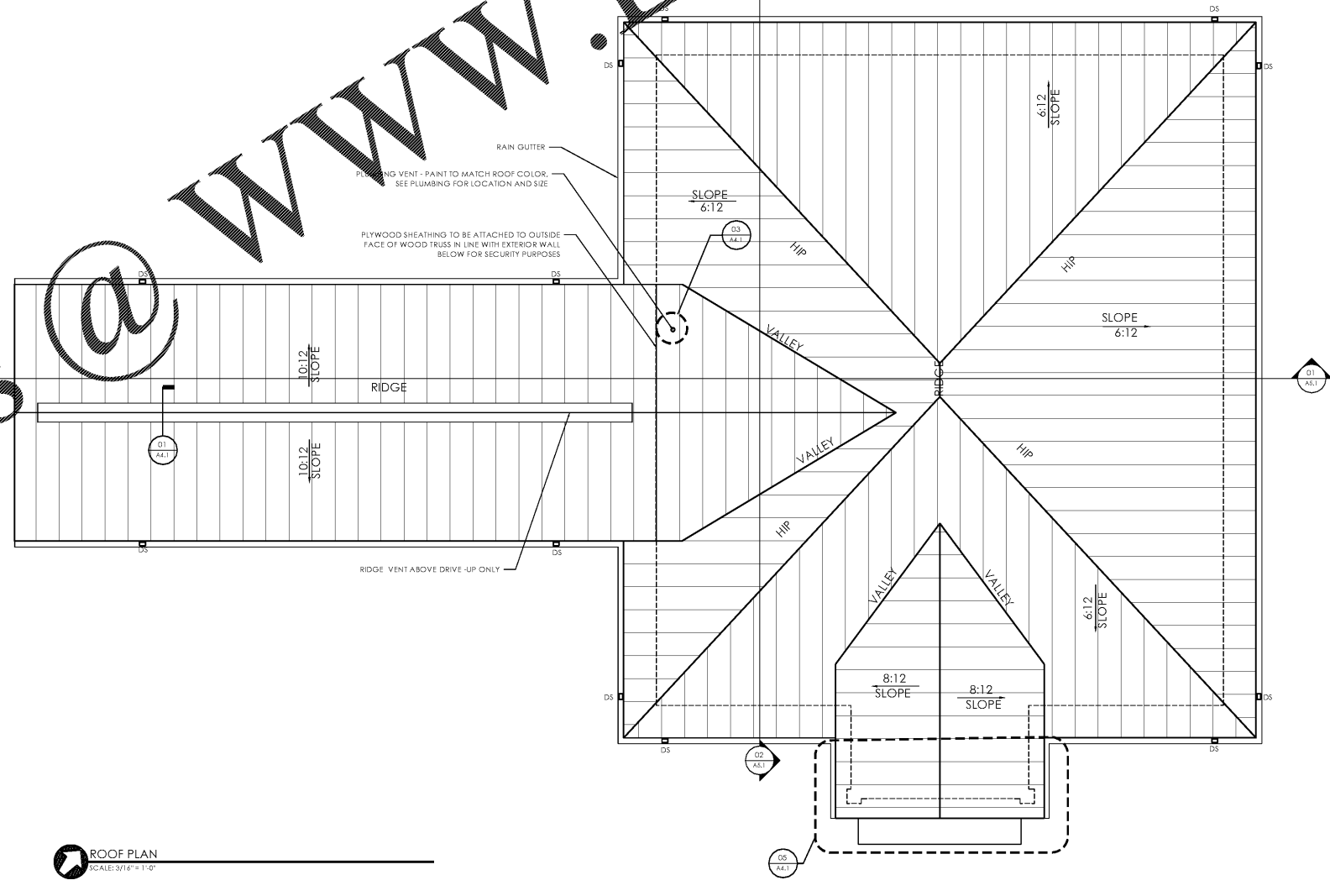
01 RIDGE VENT DETAIL
A4.1 SCALE: 1/2" = 1'-0"



03 VENT PIPE DETAIL
A4.1 SCALE: 3/4" = 1'-0"



04 CANOPY DOWNSPOUT DETAIL
A4.1 SCALE: 3" = 1'-0"



05 ROOF PLAN
A4.1 SCALE: 3/16" = 1'-0"

- ROOF GENERAL NOTES:**
1. TYP. ROOF SYSTEM: STANDING SEAM METAL PANELS OVER SELF-ADHERING ROOFING UNDERLAYMENT ON PLYWOOD ROOF SHEATHING - SEE STRUC.
 2. ENRTY CANOPY SYSTEM: BASIS OF DESIGN - U-LITE TRANSPARENT LOW SLOPE CANOPY BY CPI DAYLIGHTING
 3. ALL SHEET METAL FLASHING & TRIM TO BE INSTALLED PER SMACNA STANDARDS.

hendon huckestein architects, pc
architecture . planning . interior design
2126 Morris Avenue
Birmingham, AL 35203
Phone (205) 322-1751
Fax (205) 322-1778
email info@hplusha.com
www.hplusha.com

A New Branch Bank for
Tyndall
FEDERAL CREDIT UNION
Dothan, Alabama

RELEASES / DESCRIPTION / DATES	
NOT FOR CONSTRUCTION	<input type="checkbox"/>
RELEASED FOR CONSTRUCTION	<input checked="" type="checkbox"/>
DATE	06.23.2020
DRAWN	---
CHECKED	---
APPROVED	HHHA
PROJECT NUMBER	20012.01
SHEET TITLE	ROOF PLAN

DRAWING NO. **A4.1**