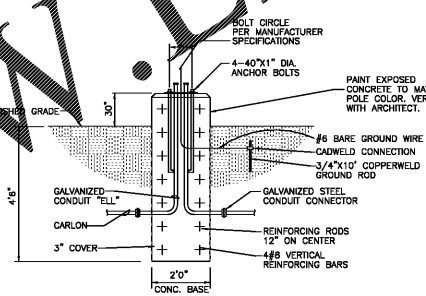


PANELBOARD SCHEDULE

MARK	TYPE	MANS		BRANCHES				LUG LOCATION	TYPE MOUNTING	AREA PANEL LOCATED	AVAILABLE FAULT CURRENT	REMARKS	
		TYPE	AMPS	1 POLE	2 POLE	3 POLE	SPARES						SPACES
MPA	I-LINE	M/B	1200	120/208V 3ø, 4W	SEE SINGLE LINE DIAGRAM				BOTTOM	SURFACE	ELEC 155	41,000	SEE NOTES 1, 2, 3, 4, 5, & 7
LPA	NOOD	LUGS	225	120/208V 3ø, 4W	36-20	2-20	6-20/1	8-1PS	TOP	SURFACE	ELEC 155	20,000	SEE NOTES 1, 2, 5, 6, & 7 54 SPACE PANEL
CPA	APC	LUGS	175	120/208V 3ø, 4W	52-20		12-20/1	20-1PS	TOP	SURFACE	ELEC 155	23,000	SEE NOTES 1, 2, 5, 6, & 7 DOUBLE PANELS IN LPS APC PD40FSK1-M
RPA	NOOD	LUGS	225	120/208V 3ø, 4W	35-20		6-20/1	1-1PS	TOP	SURFACE	ELEC 155	29,000	SEE NOTES 1, 2, 5, 6, & 7
RPB	NOOD	LUGS	225	120/208V 3ø, 4W	31-20		6-20/1	5-1PS	TOP	SURFACE	ELEC 155	27,000	SEE NOTES 1, 2, 5, 6, & 7
RPC	NOOD	LUGS	225	120/208V 3ø, 4W	45-20	1-30	6-20/1	1-1PS	TOP	SURFACE	A/V 104	10,000	SEE NOTES 1, 2, 5, 6, & 7 54 SPACE PANEL
PPA	NOOD	LUGS	400	120/208V 3ø, 4W	2-20	6-20 2-30 1-60 2-70	6-20/1	6-1PS	TOP	SURFACE	ELEC 155	100,000	SEE NOTES 1, 2, 5, 6, & 7 54 SPACE PANEL

- NOTES:
- ALL PANELBOARDS SHALL BE CAPABLE OF WITHSTANDING AND INTERRUPTING THE AVAILABLE FAULT CURRENTS AS LISTED ABOVE.
 - ALL PANELBOARDS SHALL HAVE MICARTA LABELS SHOWING PANELBOARD DESIGNATION, AND OPERATING VOLTAGE. I-LINE PANELBOARDS SHALL ALSO HAVE MICARTA LABELS AT EACH BREAKER.
 - SHALL BE RATED FOR SERVICE ENTRANCE EQUIPMENT.
 - SHALL BE EQUIPPED WITH BUILT-IN SURGE PROTECTION, CAPABLE OF WITHSTANDING A TRANSIENT SURGE OF 160,000 AMP (PROVIDE BREAKER AS REQUIRED FOR THIS PURPOSE IN MPA).
 - NO SERIES RATING WILL BE ALLOWED ON ANY PANELBOARDS.
 - CONTRACTOR SHALL SUPPLY AND INSTALL IDENTIFIED HANDLE TIES ACROSS MULTIPLE BREAKER CIRCUITS THEREBY PROVIDING A MEANS TO SIMULTANEOUSLY DISCONNECT ALL ASSOCIATED UNGROUNDED CONDUCTORS.
 - ALL BREAKERS AND PANELBOARDS 100 AMPS AND LARGER, SHALL HAVE TERMINAL RATED FOR 75°C.

- PANELBOARD NOTES:
- MANUFACTURER OF SWITCHBOARDS AND/OR PANELBOARDS SHALL PERFORM FAULT CURRENT CALCULATIONS, COORDINATION STUDY, AND ARC FLASH HAZARD ANALYSIS, AND LABEL ALL SWITCHBOARDS AND/OR PANELBOARDS, IN ACCORDANCE WITH NFPA 70E-2009 (ARTICLE 130) AND NFPA 70-2008 (ARTICLE 116).
 - CONTRACTOR SHALL FIELD MARK ELECTRICAL SERVICE EQUIPMENT WITH A CONSPICUOUS AND PERMANENT LABEL THAT INDICATES THE AVAILABLE FAULT CURRENT PER NEC 110.24.
 - CONTRACTOR SHALL FIELD MARK ELECTRICAL PANELS WITH A CONSPICUOUS AND PERMANENT LABEL THAT INDICATES WHERE PANELS ARE FED FROM PER NEC 408.4(B).

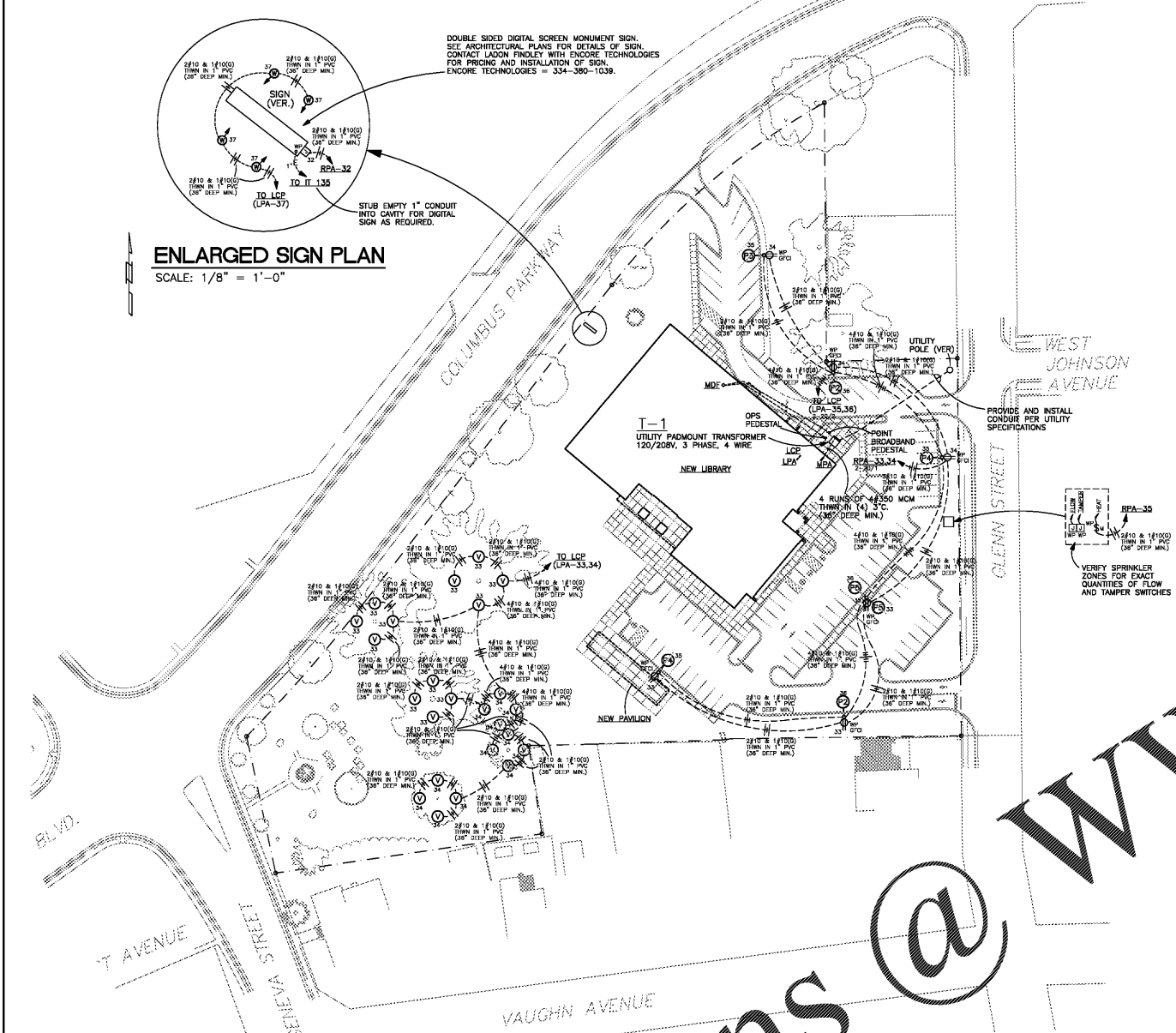


DETAIL - POLE BASE
N.T.S. (P2, P3, P4, P5 FIXTURES)

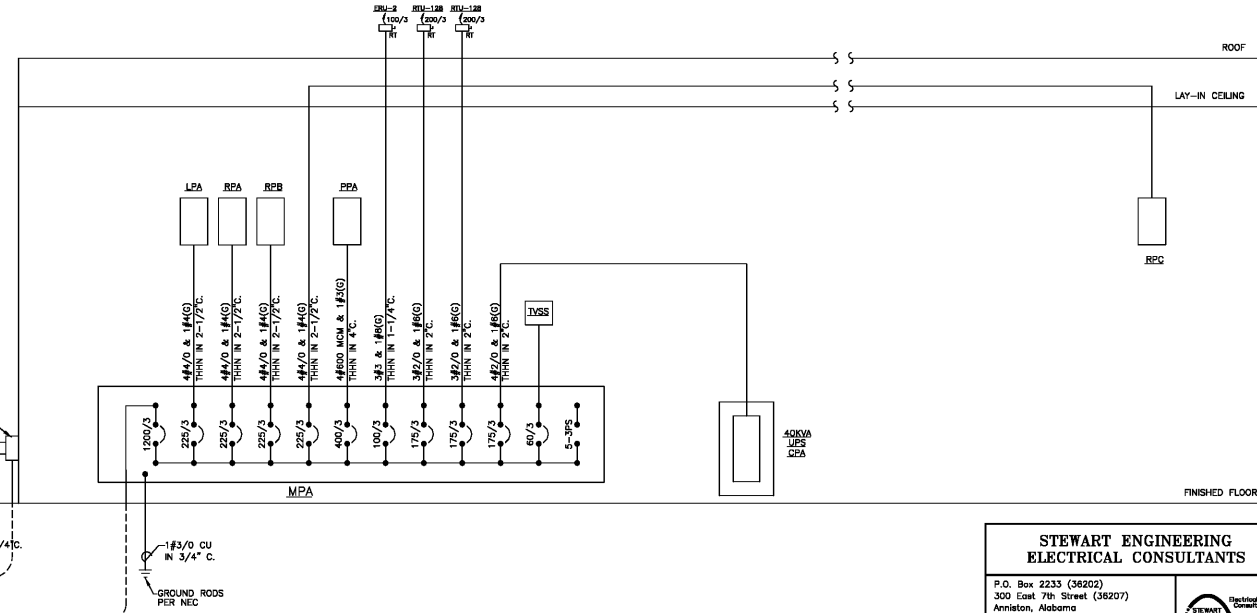
#1	PANEL	CIRCUIT	PROGRAM MODE
1	LPA	25	EXTERIOR-DUSK TO DAWN
2	LPA	26	EXTERIOR-MIDNIGHT OFF
3	LPA	27	EXTERIOR-MIDNIGHT OFF
4	LPA	28	EXTERIOR-MIDNIGHT OFF
5	LPA	29	EXTERIOR-MIDNIGHT OFF
6	LPA	31	EXTERIOR-MIDNIGHT OFF
7	LPA	32	EXTERIOR-DUSK TO DAWN
8	LPA	33	EXTERIOR-MIDNIGHT OFF
9	LPA	34	EXTERIOR-MIDNIGHT OFF
10	LPA	35	EXTERIOR (2 POLE) DTD
11	LPA	36	EXTERIOR (2 POLE) DTM
12	LPA	37	EXTERIOR-MIDNIGHT OFF
13			
14			
15			
16			

COOPER GREENGATE RELAY CABINET (NETWORKABLE)
CONTROLKEEPER 16 (OKT16) WITH 16 RELAYS

SITE VISIT NOTE:
CONTRACTOR SHALL INCLUDE IN BID PRICE A TOTAL OF (3) SITE VISITS FROM FACTORY TRAINED REPRESENTATIVE FOR LIGHTING CONTROL SYSTEM INSTALLATION, PROGRAMMING, AND TRAINING.

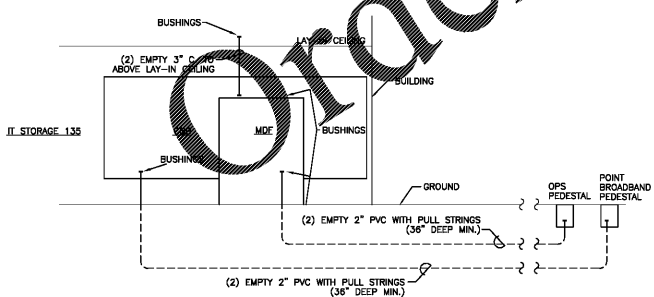


- UTILITY NOTES
- CONTRACTOR SHALL COORDINATE CLOSELY WITH OPELIKA POWER SERVICES AND SHALL PROVIDE AND INSTALL ANY AND ALL LABOR AND/OR MATERIAL AS REQUIRED BY OPELIKA POWER SERVICES, REGARDLESS OF ITS BEING OR NOT BEING SHOWN ON ELECTRICAL DRAWINGS.
 - ANY AND ALL COSTS ASSOCIATED WITH PROVIDING THIS LABOR AND/OR MATERIAL SHALL BE INCLUDED IN BID PRICE.
 - CONTRACTOR SHALL OBTAIN ALL DIRECT CHARGES FROM OPELIKA POWER SERVICES, AND INCLUDE THESE CHARGES IN BID PRICE. CONTRACTOR IS RESPONSIBLE FOR CONTACTING OPELIKA POWER SERVICES DURING THE BID PROCESS.



ELECTRICAL SINGLE LINE DIAGRAM
N.T.S.

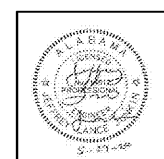
ENLARGED SIGN PLAN
SCALE: 1/8" = 1'-0"



TELCO/MDF RISER DIAGRAM
N.T.S.

LATHAN ASSOCIATES ARCHITECTS, P.C.
300 GOLF PARK SOUTH, SUITE 200
HOUSTON, ALABAMA 35244
PH: 205-988-9112 FAX: 205-988-9188

NEW LIBRARY FOR THE CITY OF OPELIKA
GLENN STREET
OPELIKA, ALABAMA 36801



SHEET TITLE:
SITE PLAN AND SINGLE LINE DIAGRAM

PROJ. MGR.: LANCE JUNKIN
DRAWN: SEC
DATE: JUNE 1, 2020
REVISIONS:

JOB NO. 19-32
SHEET NO. E21
2 OF 7
SEQUENCE NO. 85/90

STEWART ENGINEERING ELECTRICAL CONSULTANTS

P.O. Box 2233 (36202)
300 East 7th Street (36207)
Ardmore, Alabama
Phone: 256/237-0891
Fax No.: 256/237-1077
Email: services@stewartengineering.org

Engineer: J. Lance Junkin, P.E. Alabama Reg. 14817
Project Number: 19122

Order Plans @

WWW.DLINE.COM