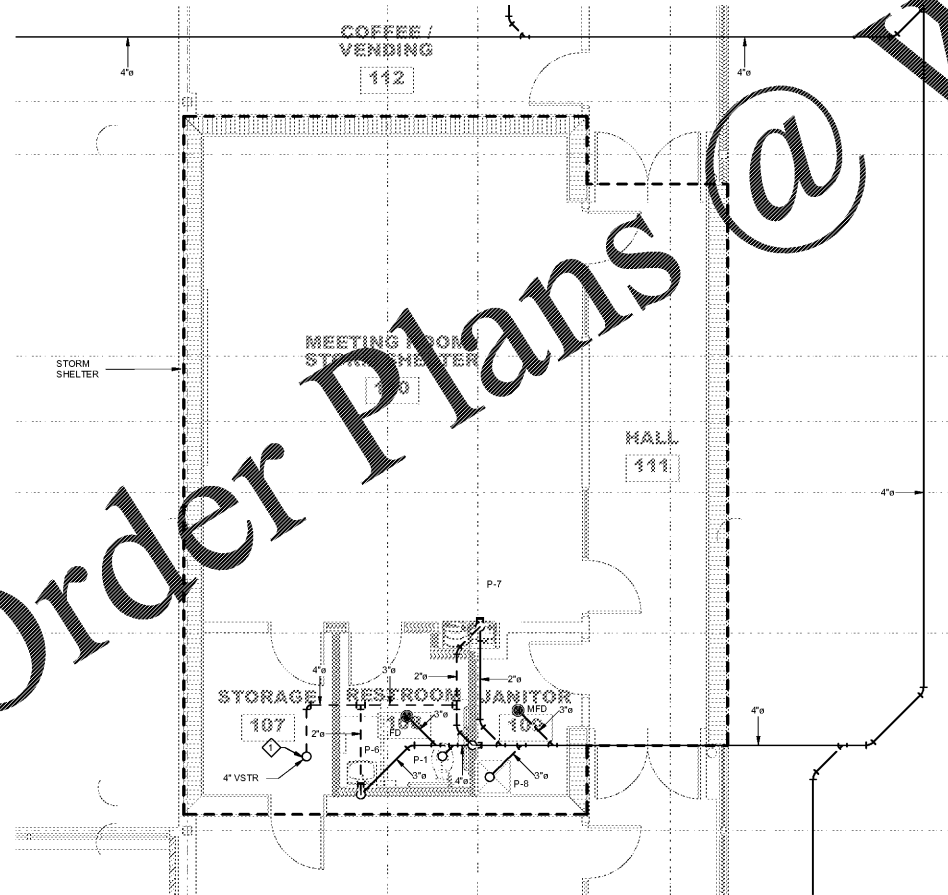
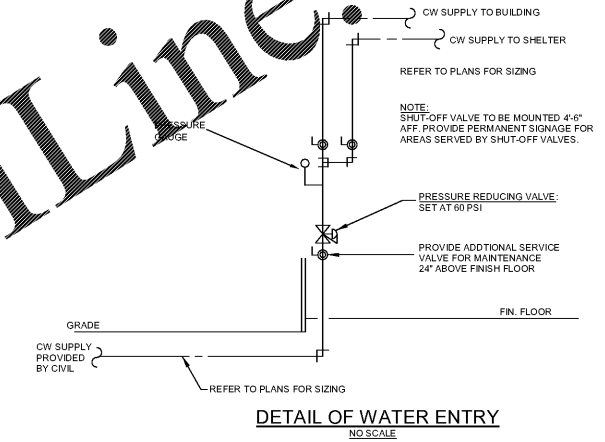
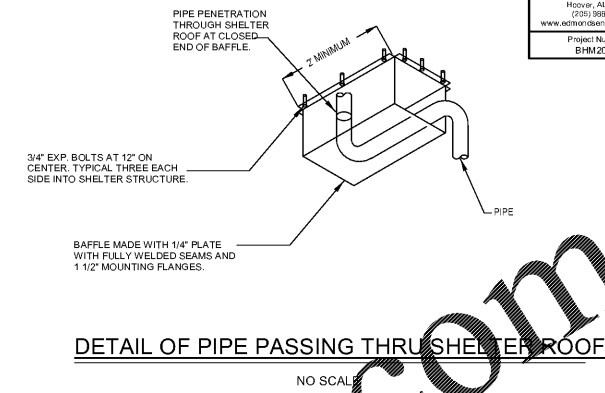
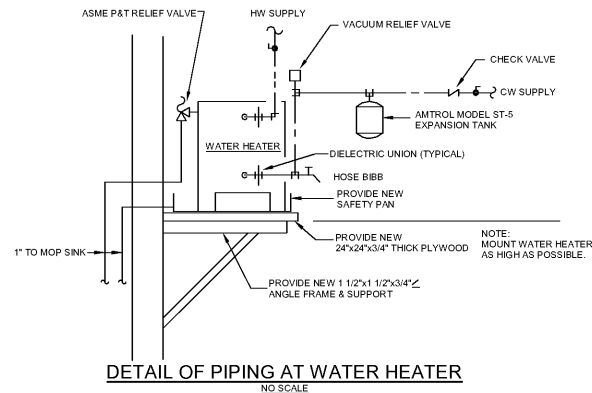
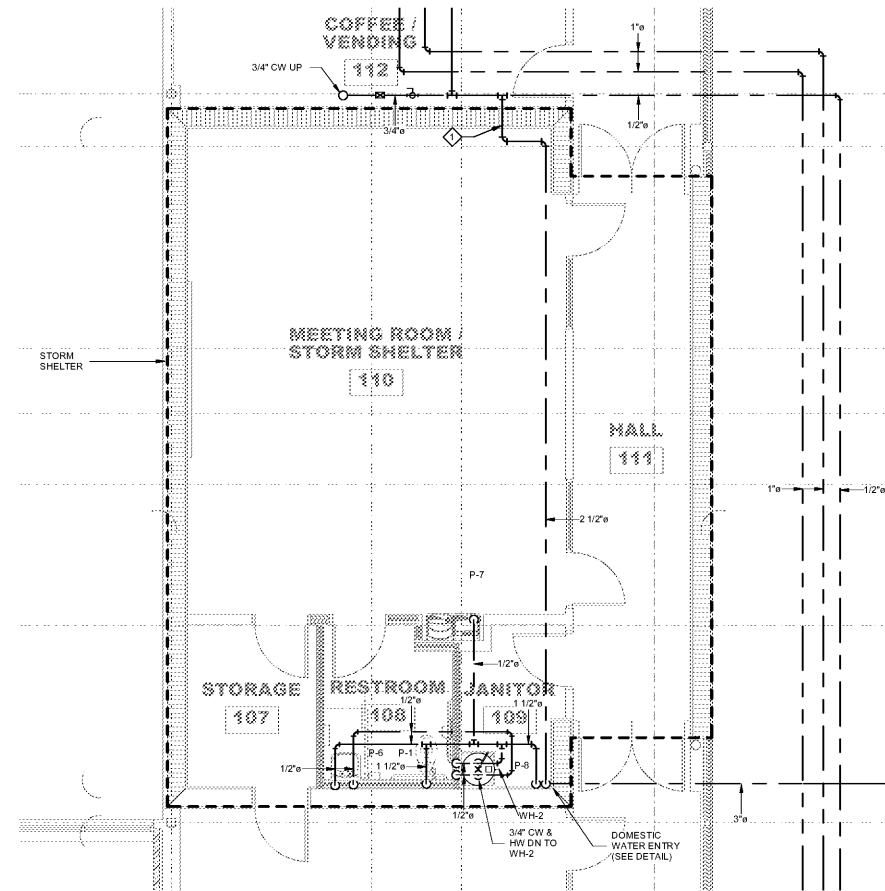


SHELTER KEY NOTES
 ◆ SHELTER PENETRATION (SEE DETAIL)

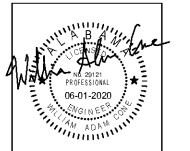


1 NON PRESSURE - SHELTER PLAN
 1/4" = 1'-0"



2 PRESSURE - SHELTER PLAN
 1/4" = 1'-0"

NEW LIBRARY
FOR THE CITY OF OPELIKA
 GLENN STREET
 OPELIKA, ALABAMA 36801



SHEET TITLE:
 PLUMBING - ENLARGED
 SHELTER PLANS

PROJ.MGR.:	WAC
DRAWN:	ALV
DATE:	06-01-2020
REVISIONS:	

JOB NO. 19-32
 SHEET NO. **P0.2**
 2 OF 6
 SEQUENCE NO. 79 / 90

