

**GENERAL NOTES**

- LOCATIONS OF UTILITIES SHOWN ON PLANS ARE APPROXIMATE. VERIFY WITH LOCAL UTILITY PRIOR TO BEDDING.
- CONTRACTOR SHALL VERIFY EXACT LOCATION, SIZE, AND ELEVATION OF ALL EXISTING SERVICES PRIOR TO INSTALLING ANY NEW PIPE.
- ALL OUTSIDE CLEANOUTS SHALL BE BROUGHT TO GRADE AND EMBEDDED IN 18"X18"X16" THICK CONCRETE PAD. (J.R. SMITH 4258 OR EQUAL.)
- WHEREVER DISSIMILAR METALS ARE CONNECTED ON WATER LINES, A DIELECTRIC UNION SHALL BE USED.
- ALL HORIZONTAL WATER AND VENT PIPING SHALL BE RUN ABOVE CEILING ON PLAN WHERE SHOWN UNLESS OTHERWISE NOTED.
- ALL HORIZONTAL SANITARY PIPING IS RUN BELOW FLOOR ON PLAN UNLESS OTHERWISE NOTED.
- ALL WATER PIPING BELOW SLAB ON GRADE SHALL BE BENT UP AT ENDS SO THAT NO JOINTS OCCUR BELOW FLOOR.
- COORDINATE ALL PIPE ROUTING TO AVOID CONFLICTS WITH STRUCTURAL, MECHANICAL, AND ELECTRICAL FEATURES OF BUILDING.
- ALL WALL HYDRANTS AND HOSE BIBBS SHALL BE MOUNTED 24" ABOVE FINISH GRADE OF FINISH FLOOR UNLESS OTHERWISE NOTED.
- ALL WATER PIPING INSTALLED IN EXTERIOR WALLS SHALL BE LOCATED ON THE INTERIOR SIDE OF THE EXTERIOR WALL INSULATION.
- NO VENT THRU ROOF IS TO BE LOCATED WITHIN 10 FEET OF ANY BUILDING AIR INTAKES, PER CODE. COORDINATE WITH MECHANICAL AND GENERAL CONTRACTORS.
- DOMESTIC WATER PIPING AND FIRE PROTECTION PIPING LOCATED ABOVE THE CEILING, SHALL BE INSTALLED BELOW CEILING INSULATION.
- CONTRACTOR SHALL COORDINATE MECHANICAL FLOOR DRAIN LOCATIONS WITH MECHANICAL EQUIPMENT PRIOR TO INSTALLATION.
- CONTRACTOR SHALL PROVIDE SHOCK ARRESTORS ON ALL BRANCH LINES.
- CONTRACTOR SHALL COORDINATE ALL SINKS WITH CASEWORK PRIOR TO ORDERING SINKS.

**PLUMBING LEGEND**

---	DOMESTIC COLD WATER	●	BALL VALVE	ABV	ABOVE	P-#	PLUMBING FIXTURE
---	DOMESTIC HOT WATER SUPPLY - 125° F	⊖	CHECK VALVE	AFF	ABOVE FINISHED FLOOR	HB	HOSE BIBB
---	DOMESTIC HOT WATER RETURN - 125° F	⊕	BACKFLOW PREVENTER	AH	AIR HANDLING FLOOR	R#	RISER NUMBER
---	SOIL, WASTE OR SANITARY SEWER	⊖	CAP ON END OF PIPE	BFP	BACKFLOW PREVENTER	RH	ROOF HYDRANT
---	VENT	PRV	PRESSURE RELIEF VALVE	BFF	BELOW FINISHED FLOOR	P-#	PLUMBING FIXTURE
⊖	PIPE TURNING DOWN	RPZBFP	REDUCED PRESSURE ZONE BFP	CW	COLD WATER	WS	WASTE STACK
⊕	PIPE TURNING UP	CO	CLEANOUT	DN	DOWN	TYP	TYPICAL
⊖	TEE DOWN	FD	FLOOR DRAIN	GPH	GALLONS PER HOUR	VS	VENT STACK
⊕	TEE UP	RD	ROOF DRAIN	GPM	GALLONS PER MINUTE	VSTR	VENT THROUGH ROOF
⊖	UNION	OD	OVERFLOW DRAIN	HW	HOT WATER		
S	STORM PIPING	MFD	MECHANICAL FLOOR DRAIN	HWR	HOT WATER RETURN		

**PLUMBING FIXTURE SCHEDULE**

MARK	FIXTURE	WASTE	CW	HW	REMARKS
DSN	DOWNSPOUT NOZZLE	SEE PLAN	-	-	J.R. SMITH #1770 DOWNSPOUT NOZZLE. MOUNT 1'-0" ABV FINISH GRADE. COORDINATE EXACT LOCATION WITH ARCHITECT.
FD	FLOOR DRAIN	3"	-	-	J.R. SMITH #2010 WITH 6" ROUND NICKEL BRONZE GRATE. PROVIDE WITH J.R. SMITH TRAP INSERT.
MFD	MECHANICAL FLOOR DRAIN	4"	-	-	J.R. SMITH #2242 WITH SEDIMENT BUCKET. PROVIDE WITH J.R. SMITH TRAP INSERT.
OD	OVERFLOW DRAIN	SEE PLAN	-	-	J.R. SMITH #1080. COMPLETE WITH SUMP RECEIVER, UNDER DECK CLAMP, 2" EXTERNAL DAM, AND CAST IRON OR ALUMINUM DOME.
P-1	WATER CLOSET - ADA COMPLIANT	4"	1"	-	FLOOR MOUNTED - KOHLER K-96057-SS-0 COMPLETE SLOAN #111 FLUSH VALVE WITH YJ BRACKET AND CHURCH "DURA GUARD" MODEL #2155 SSC SEAT.
P-2	WATER CLOSET	4"	1"	-	FLOOR MOUNTED - KOHLER K-96053-SS-0 COMPLETE SLOAN #111 FLUSH VALVE WITH YJ BRACKET AND CHURCH "DURA GUARD" MODEL #2155 SSC SEAT.
P-3	URINAL - ADA COMPLIANT	3"	1"	-	WALL MOUNTED-KOHLER K-5016-ET COMPLETE. K-9183 STAINLESS STEEL STRAINER. J.R. SMITH #623 FIXTURE SUPPORT, AND SLOAN #186 FLUSH VALVE WITH YJ BRACKET. SET LIP 17" AFF.
P-4	URINAL	3"	1"	-	WALL MOUNTED-KOHLER K-5016-ET COMPLETE. K-9183 STAINLESS STEEL STRAINER. J.R. SMITH #623 FIXTURE SUPPORT, AND SLOAN #186 FLUSH VALVE WITH YJ BRACKET.
P-5	LAVATORY	1 1/4"	1/2"	1/2"	UNDERMOUNT - KOHLER K-2210 COMPLETE. SYMMONS S-20-0 FAUCET, MCGUIRE #8872 P-TRAP. MCGUIRE 165 SUPPLIES WITH STOPS. INSULATE ALL WITH "PRO-WRAP" BY MCGUIRE. PROVIDE LAWLER 570 MIXING VALVE MOUNTED BELOW LAVATORY UNLESS OTHERWISE NOTED ON THE DRAWINGS.
P-6	LAVATORY - ADA COMPLIANT	1 1/4"	1/2"	1/2"	WALL HUNG - KOHLER K-2032 (20" X 18") COMPLETE. SYMMONS S-20-0 FAUCET, K7715 OUTLET WITH TAILPIECE. J.R. SMITH #700-M31-Z FIXTURE SUPPORT. MCGUIRE #165 SUPPLIES WITH STOPS AND MCGUIRE #8872 P-TRAP. INSULATE P-TRAP, STOPS AND SUPPLIES WITH "PRO-WRAP" BY MCGUIRE. MOUNT WITH RIM MAXIMUM 34" AFF. PROVIDE LAWLER 570 THERMOSTATIC MIXING VALVE MOUNTED BELOW LAVATORY RUN 100° F WATER TO FAUCET. MUST MEET A.D.A. GUIDELINES.
P-7	WATER COOLER - ADA COMPLIANT	1 1/4"	1/2"	-	ELKAY #E2SLBWSK BI-LEVEL WATER COOLER WITH BOTTLE FILLER STATION. COMPLETE WITH STAINLESS STEEL CABINET AND WATERWAYS THAT ARE MANUFACTURED OF 100% LEAD FREE MATERIAL. J.R. SMITH #634 FIXTURE SUPPORT EBC TA150 P-TRAP AND EBC LA10 STOP WITH SUPPLY FUL. INSULATE P-TRAP WITH EBC IK INSULATOR. INSTALL WITH LOWER SPOUT OUTLET MAXIMUM 36" AFF. MOUNT WITH A.D.A. INSTALL WITH BOTTLE FILLER. INSTALL COMPLETE. PROVIDE WITH ELKAY MODEL #LKA PREPARE APRON AS REQUIRED.
P-8	MOP SINK	3"	1/2"	1/2"	STERN WILLIAMS #SBC-1700 (24" X 24") COMPLETE. T-35 HOSE WITH 1/2" HOOD. STAINLESS STEEL BACKSPASH AND CHICAGO FAUCET #897 FAUCET.
P-9	DOUBLE BOWL SINK	1 1/2"	1/2"	1/2"	ELKAY LRAD-3321, LK-35 STRAINERS, SYMMONS S-23-3 FAUCET. MCGUIRE #8912 P-TRAP. CONTINUOUS WASTE OUTLET AND #165 STOPS WITH SUPPLIES.
P-10	DISHWASHER	1 1/2"	-	1/2"	FURNISHED AND INSTALLED UNDER ANOTHER SECTION. RUGH AND CONNECT COMPLETE. PROVIDE BALL VALVE STOP ON SUPPLY WITH SHOCK ARRESTOR. SIZE 1/2" ON HOT WATER PIPING. PIPE WASTE DISCHARGE THRU WASTE AIR GAP MOUNTED IN SPACER DRILLED IN SINK LEDGE.
P-11	REF. ICE MAKER BOX	-	1/2"	-	FURNISHED AND INSTALLED UNDER ANOTHER SECTION. PROVIDE IN WALL BEHIND REFRIGERATOR A GUY GRAY MODEL "B" 16 GALLON METAL BOX LEAD DRAIN AND SUPPLIES. PROVIDE IN BOX A 1/2" BALL VALVE WITH 10 FEET OF 1/2" O.D. COPPER COIL IN BOX FOR CONNECTION TO REFRIGERATOR ICE MAKER.
P-12	COFFEE MAKER	-	1/2"	-	FURNISHED AND INSTALLED UNDER ANOTHER SECTION. RUGH AND CONNECT COMPLETE. PROVIDE BALL VALVE STOP ON SUPPLY. PROVIDE WATT#3 ON COLD WATER SUPPLY IF REQUIRED BY LOCAL CODES.
P-13	WALL HYDRANT	-	3/4"	-	WATER MOUNTED 1/4" SERVO. ANTI-SUCK VACUUM BREAKER CLOSE COUPLED, POLISHED CHROME. INSTALL PER MANUFACTURER'S RECOMMENDATIONS. SUPPORT PIPING AND HOSE BIBB WITH UNI-STRUT MOUNTED TO STRUCTURE.
P-14	SINK	1 1/4"	1/2"	1/2"	ELKAY LRAD-2210 DRAIN SET TO BACK, LK-35 STRAINER, CHICAGO FAUCET #786-FC RIGID FAUCET, MCGUIRE #1912 P-TRAP AND #165 STOPS WITH SUPPLIES.
P-15	CONDENSATE BOX	1 1/2"	-	-	PROVIDE A SLOAN CHIEF MODEL #696-3F DRAIN BOX, #696-LC LOUVERED COVER, #696-CF SECONDARY DRAINAGE FUNNEL, AND J.R. SMITH TRAP SEAL INSERT. BOX TO COME COMPLETE WITH WALL FLANGE AND LOUVER. COORDINATE WITH MECHANICAL TO RECEIVE CONDENSATE WASTE. COORDINATE EXACT MOUNTING HEIGHT AND LOCATION WITH ARCHITECT.
RD	ROOF DRAIN	SEE PLAN	-	-	J.R. SMITH #1011. COMPLETE WITH SUMP RECEIVER AND UNDER DECK CLAMP, AND CAST IRON OR ALUMINUM DOME. PROVIDE 4" HIGH, 1/16" THICK PERFORATED STAINLESS STEEL GRAVEL TRAP AROUND DOME.
RH	ROOF HYDRANT	-	3/4"	-	J.R. SMITH #5906-H WITH DRAIN TUBE PIPED TO NEAREST DRAIN. DRAIN PIPE TO BE COPPER TO THE NEAREST DRAIN OR JANITORS RECEPTOR.

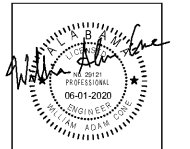
**WATER HEATER SCHEDULE**

MARK	FIXTURE	ELEC INFO.	GAS INPUT	REMARKS
CP-1	CIRCULATION PUMP	115V; 1 PHASE; 1/12 HP	-	ARMSTRONG COMPASS 1/12 HP. ALL BRONZE. PROVIDE WITH AQUASTAT AND TIMER.
ET-1	EXPANSION TANK	-	-	AMTROL THERM - X-TROL #ST-12 EXPANSION TANK. PRE-CHARGED, WELDED STEEL CONSTRUCTION. ISOLATION BETWEEN WATER AND AIR SHALL BE BY A BUTYL DIAPHRAM.
WH-1	ELECTRIC WATER HEATER	208V; 1 PHASE; 4.5 KW	-	LOCHINVAR EJT040KD, 40 GALLON STORAGE, 18 GALLON RECOVERY AT 100°F RISE. NEW P&T RELIEF VALVE. SET OUTLET TEMPERATURE AT 140°F. INSTALL AS DETAILED ON DRAWINGS. VERIFY VOLTAGE WITH ELECTRICAL SECTION.
WH-2	ELECTRIC WATER HEATER	208V; 1 PHASE; 4.5 KW	-	LOCHINVAR EJT020KD, 20 GALLON STORAGE, 18 GALLON RECOVERY AT 100°F RISE. NEW P&T RELIEF VALVE. SET OUTLET TEMPERATURE AT 125°F. INSTALL AS DETAILED ON DRAWINGS. VERIFY VOLTAGE WITH ELECTRICAL SECTION.



**LATHAN ASSOCIATES ARCHITECT S, P.C.**  
300 CHASE PARK SOUTH  
SUITE 200, HOOPER, ALABAMA 35044  
PH: 205-968-9112 FAX: 205-968-9188

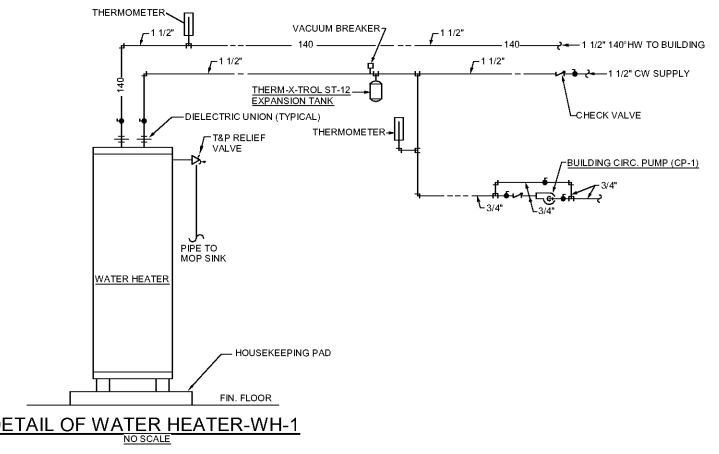
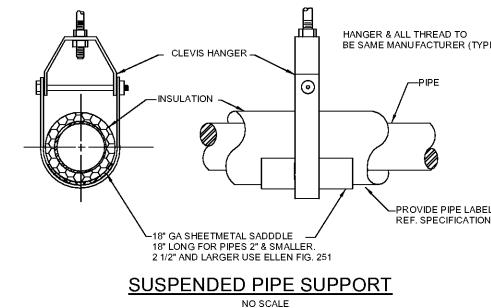
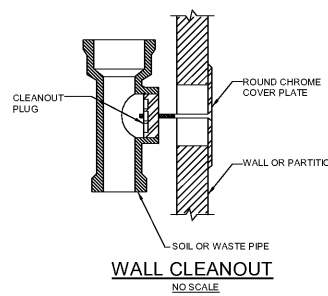
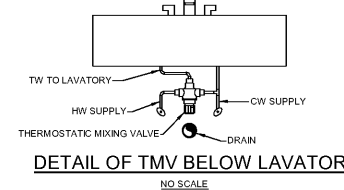
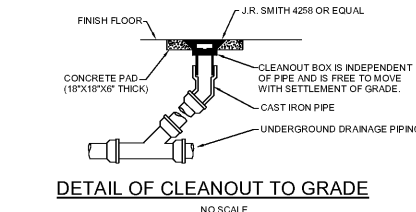
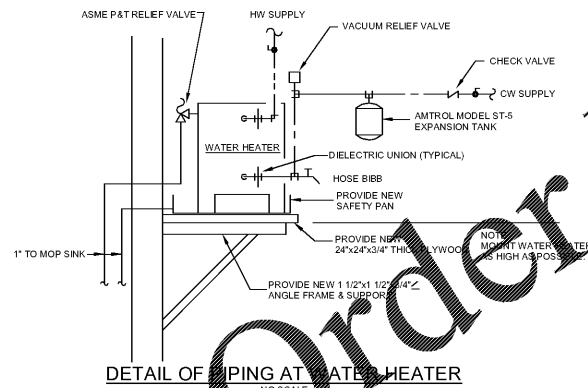
NEW LIBRARY FOR THE CITY OF OPELIKA  
GLENN STREET  
OPELIKA, ALABAMA 36901



SHEET TITLE:  
PLUMBING - SCHEDULES, NOTES, AND DETAILS

PROJ.MGR.: WAC  
DRAWN: ALV  
DATE: 06-01-2020  
REVISIONS:

JOB NO. 19-32  
SHEET NO. P0.1  
1 OF 6  
SEQUENCE NO. 78 / 90



Order Plans @ WWW.DOWNLOADS.COM