

FIRE PROTECTION GENERAL NOTES

- CONTRACTOR SHALL VERIFY EXISTING CONDITIONS PRIOR TO BID. CONTRACTOR SHALL VERIFY EXACT SIZE, LOCATION, ELEVATION OF EXISTING STRUCTURE, CEILINGS, MECHANICAL, AND ELECTRICAL PRIOR TO INSTALLING ANY NEW PIPE.
- CONTRACTOR SHALL COORDINATE ALL PIPE ROUTING TO AVOID CONFLICTS WITH ALL STRUCTURAL, ELECTRICAL, AND MECHANICAL FEATURES OF THE BUILDING.
- ALL HORIZONTAL PIPING IS RUN ABOVE THE CEILING OR IN JOIST SPACE. ALL PIPING SHALL DRAIN DOWN AS REQUIRED BY NFPA 13. PIPING TO BE INSTALLED TO CONCEAL AS MUCH AS POSSIBLE.
- INSTALL ALL FIRE PROTECTION MATERIALS IN AREAS WITH EXPOSED CEILINGS IN A NEAT FIRST CLASS MANNER. ALL WORKMANSHIP SHALL BE IN ACCORDANCE WITH INDUSTRY BEST PRACTICES. PIPING SHALL BE INSTALLED PARALLEL AND/OR PERPENDICULAR TO BUILDING STRUCTURE UNLESS INDICATED OTHERWISE.
- CONTRACTOR IS RESPONSIBLE FOR NOTIFYING PROJECT ENGINEERS FOR INSPECTION AND TESTING. PROVIDE A MINIMUM OF A WEEK.
- CONTRACTOR TO REFER TO ARCHITECTURAL DRAWINGS FOR NEW WORK AREAS, CEILING HEIGHTS, SECTIONS, AND RIATED WALLS.
- CONTRACTOR RESPONSIBLE FOR COORDINATION OF PIPING WEIGHT AND LOCATION PRIOR TO INSTALLATION OF ANY PIPE.
- PIPING LAYOUT AND SIZING SHOWN ON PLANS IS DIAGRAMMATIC AND SHOWN FOR SPACE REQUIREMENTS. CONTRACTOR IS RESPONSIBLE FOR LAYOUT SHOP DRAWINGS, CALCULATIONS, SUBMITTAL DATA, TESTING, OWNER TRAINING AND CERTIFYING SYSTEM MEETS NFPA 13 AND CONTRACT DOCUMENTS.
- CONTRACTOR SHALL OBTAIN APPROVAL FROM ARCHITECT PRIOR TO INSTALLING ANY SPRINKLER HEADS DIFFERENT FROM THE SPECIFIED SPRINKLER HEADS.
- CONTRACTOR SHALL OBTAIN APPROVAL OF "SPRINKLER HEAD TYPE" FROM ARCHITECT PRIOR TO INSTALLING ANY SPRINKLER HEADS.
- CONTRACTOR SHALL PAINT ALL EXPOSED PIPING TO MATCH STRUCTURE. COORDINATE EXACT COLOR WITH ARCHITECT.

FIRE PROTECTION SHOP DRAWINGS AND SUBMITTALS

- PROVIDE A NFPA 13 COMPLIANT SYSTEM TO PROVIDE COVERAGE TO NEW WORK AREA. CONTRACTOR RESPONSIBLE TO PROVIDE DETAILED SHOP DRAWINGS AND CALCULATIONS COMPLETE.
- SHOP DRAWINGS SHALL INCLUDE:
 - A REFLECTED CEILING PLAN INDICATING LOCATION OF SPRINKLER HEADS, LIGHTS, CEILING DEVICES, GRILLES, AUDIO VISUAL, AND ANY DEVICES ATTACHED TO LIFT OUT CEILINGS. ALL SPRINKLER HEADS IN LAY-IN CEILINGS TO BE CENTERED IN TILES.
 - COORDINATE EXACT LOCATION OF SPRINKLER HEADS IN HARD CEILINGS WITH ARCHITECT AND ENGINEER.
 - PREPARE A WORKING PIPE SHOP DRAWING BASED ON HYDRAULIC CALCULATIONS.
 - THE PIPING DRAWINGS SHALL INDICATE THE ELEVATION OF THE PIPE, THE COORDINATION OF THE PIPING AND HANGERS, SIZE OF THE PIPE AND COORDINATION OF PIPING WITH OTHER DISCIPLINES, STRUCTURE AND DUCTWORK.
 - HYDRAULIC CALCULATIONS ARE TO BE PREPARED USING A FLOW TEST WITHIN 90 DAYS.
 - THE CONTRACTORS RESPONSIBLE FOR INCORPORATING LOCAL AUTHORITY HAVING JURISDICTION COMMENTS FOR COMPLIANCE.
 - ALL ADDITIONAL MATERIALS TO BE INDICATED ON SHOP DRAWINGS.
 - ALL LOW-POINT DRAIN DOWN LOCATION AND PENETRATIONS OF BUILDING STRUCTURE TO BE INDICATED ON SHOP DRAWINGS.
- CONTRACTOR SHALL BE LICENSED IN THE STATE IN WHICH THE WORK IS PERFORMED. THE CONTRACTOR SHALL BE A NICET LEVEL III OR LEVEL IV OR SPECIAL HAZARD SUPPRESSION SYSTEMS. THE NICET LEVEL III DESIGNER SHALL BE AN EMPLOYEE OF FIRE PROTECTION CONTRACTOR.
- ALL ELECTRICAL FIRE ALARM REQUIREMENTS TO BE COORDINATED WITH THE ELECTRICAL THE FLOW AND TAMPER SWITCHES TO BE PROVIDED UNDER FIRE PROTECTION CONTRACT. CONDUIT, ALARM WIRING AND PROGRAMMING THE RESPONSIBILITY OF THE FIRE ALARM CONTRACT AND SHALL BE COORDINATED WITH ELECTRICAL, NICET LEVEL III DESIGNER SHALL INSPECT PROJECT.
- CONTRACTOR SHALL PROVIDE SHOP DRAWINGS WITHIN 45 DAYS PRIOR TO THE START OF THE SPRINKLER SYSTEM INSTALLATION.
- HYDRAULIC CALCULATIONS AND SPRINKLER SHOP DRAWINGS SHALL BE PREPARED UNDER THE SUPERVISION OF AN ENGINEER LICENSED IN THE STATE AND BEAR HIS OR HER SEAL WITH SIGNATURE AND DATE.
- MAXIMUM DESIGN VELOCITY SHALL BE 30 FEET PER SECOND.

FIRE PROTECTION HYDRAULIC DEMANDS

- SPRINKLER PROTECTION
 - ALL OFFICES, WORKROOMS, LOBBIES, VESTIBULES, TOILETS, COMMON AREAS, CORRIDORS: LIGHT HAZARD 0.10 GPM OVER HYDRAULICALLY MOST REMOTE 1500 SQ. FT.
 - MECHANICAL EQUIPMENT ROOMS, TRANSFORMER ROOMS, GENERAL PURPOSE STORAGE LESS THAN 100 SQ. FT.: ORDINARY HAZARD, GROUP 2, 0.20 GPM OVER HYDRAULICALLY MOST REMOTE 2000 SQ. FT.
 - GENERAL STORAGE. STORAGE HEIGHT LIMIT LESS THAN 12FT, LIMITED COMBUSTIBLES LESS THAN 25 GALLONS. ORDINARY GROUP 1 PER NFPA 13, 0.15 GPM PER 1500 SQ. FT.
- HYDRAULIC CALCULATION SHALL BE CALCULATED WITH 10% SAFETY FACTOR OF SUPPLY CURVE.
- FLOW DATA TO BE RESPONSIBILITY OF CONTRACTOR.

FIRE PROTECTION DESIGN ANALYSIS

REFER TO ARCHITECTURAL PLANS FOR COMPLIANCE NFPA 101
TYPE OF CONSTRUCTION: REFER TO ARCHITECTURAL
OCCUPANCY: REFERENCE ARCHITECTURAL LIFE SAFETY PLAN

FIRE DESIGN CODES /STANDARDS

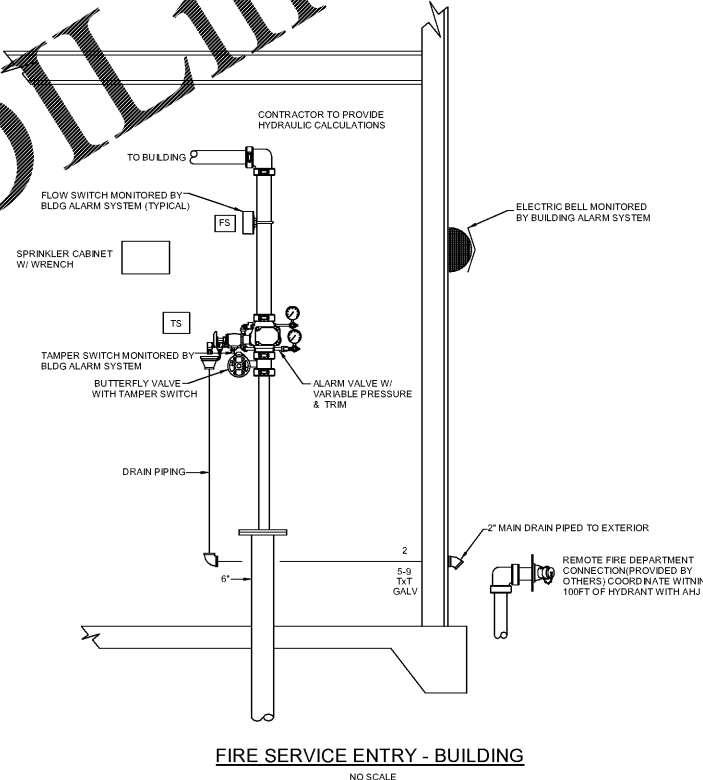
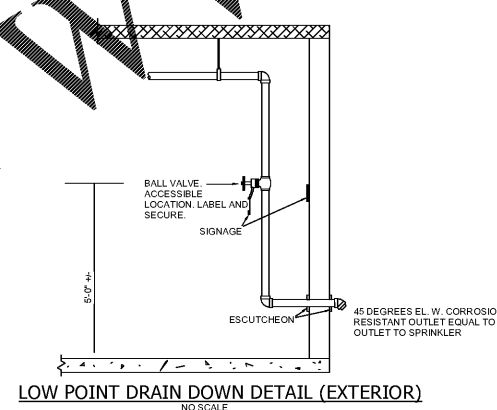
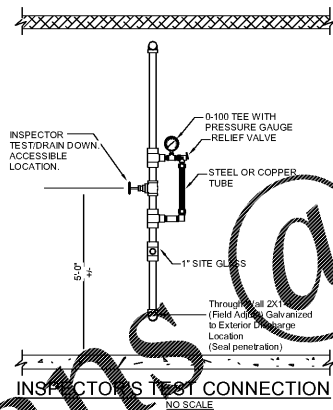
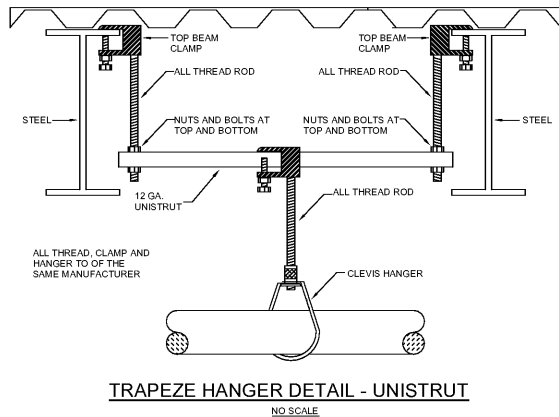
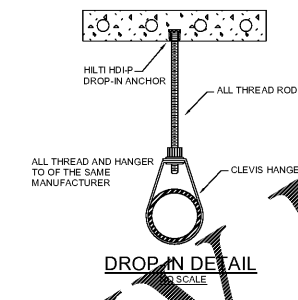
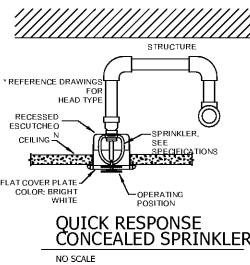
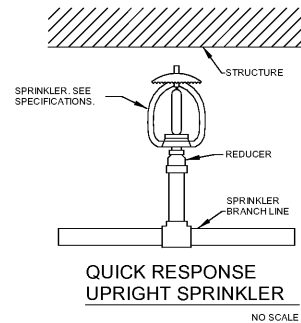
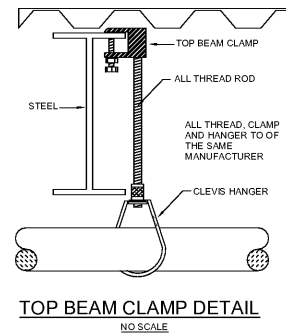
APPLICABLE CODES AND STANDARDS:
INTERNATIONAL BUILDING CODE (IBC)
INTERNATIONAL FIRE CODE (IFC)
INTERNATIONAL PLUMBING CODE (IPC)
NATIONAL ELECTRIC CODE (NEC)
NATIONAL FIRE ALARM CODE NFPA 72
NATIONAL ENERGY CODE
NATIONAL FIRE PROTECTION ASSOCIATION (NFPA) 13.24.101

FIRE PROTECTION LEGEND

FIRE MAIN (F)	— F —	F
FIRE DRAIN LINE	— FD —	FD
BALL VALVE		
CONTROL VALVE (WITH TAMPER SWITCH)	TS	COORDINATE WITH ELECTRICAL FIRE ALARM SIGNAL TO BUILDING ALARM PANEL
FLOW SWITCH	FS	COORDINATE WITH ELECTRICAL FIRE ALARM SIGNAL TO BUILDING ALARM PANEL
		PIPE DOWN
		PIPE UP
GPM		GALLONS PER MINUTE
PSI		POUNDS PER SQUARE INCH
		CONCEALED PENDENT SPRINKLER HEAD (COVER SHALL BE FACTORY PAINTED W/ COLOR APPROVED BY ARCHITECT)
		UPRIGHT SPRINKLER HEAD
		DRY SIDEWALL SPRINKLER HEAD (COVER SHALL BE FACTORY PAINTED W/ COLOR APPROVED BY ARCHITECT)
ARCHITECT TO SELECT COLOR FOR ALL SPRINKLER		



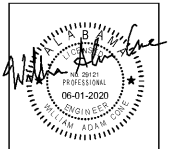
LATHAN ASSOCIATES ARCHITECT S, P.C.
300 CHASE PARK SOUTH
SUITE 200, HOVER, ALABAMA 35044
PH: 205-988-9112 FAX: 205-988-9188



Order Plans @

WWW.LDITLine.com

NEW LIBRARY FOR THE CITY OF OPELIKA
GLENN STREET
OPELIKA, ALABAMA 36901



SHEET TITLE:
FIRE PROTECTION - SCHEDULES, NOTES, DETAILS

PROJ.MGR.:	WAC
DRAWN:	ALV
DATE:	06-01-2020
REVISIONS:	

JOB NO. 19-32
SHEET NO. FP0.1
1 OF 2
SEQUENCE NO. 76 / 90

