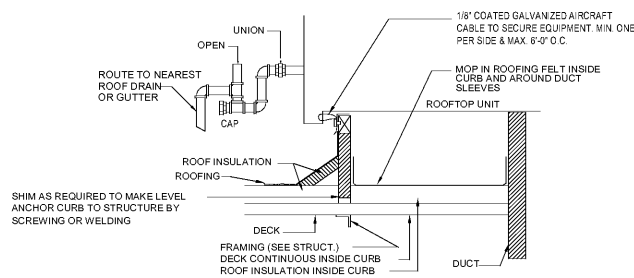
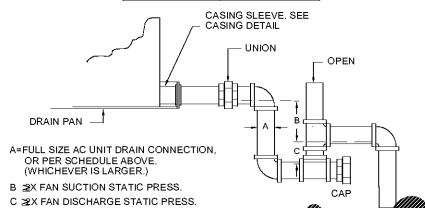


**EQUIPMENT ROOF SUPPORT DETAIL**  
NO SCALE

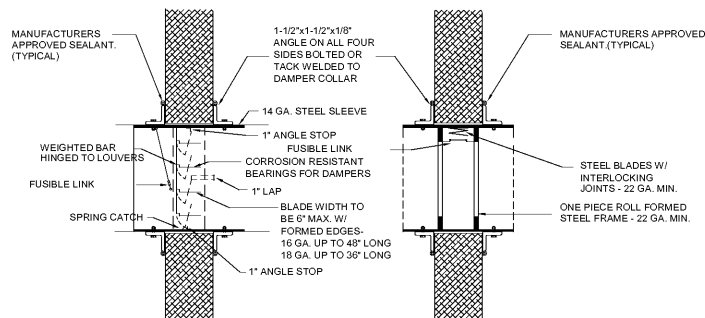


**ROOFTOP UNIT MOUNTING DETAIL**  
NO SCALE

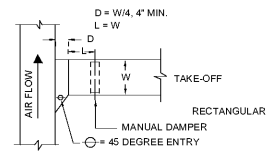
AC TONS	MIN. DRAIN SIZE
0 TO 20	1"
21 TO 40	1-1/4"
41 TO 60	1-1/2"
61 TO 100	2"
101 TO 250	3"
251 & LARGER	4"



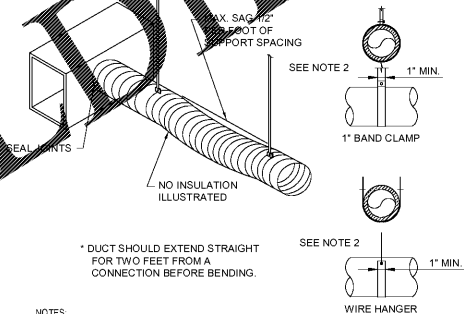
**AC UNIT DRAIN TRAP DETAIL**  
NOT TO SCALE



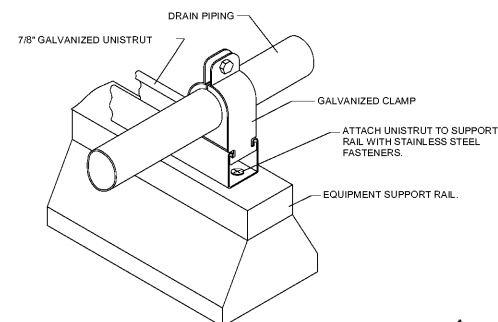
**TYPICAL FIRE DAMPER ARRANGEMENTS DETAIL**  
NO SCALE



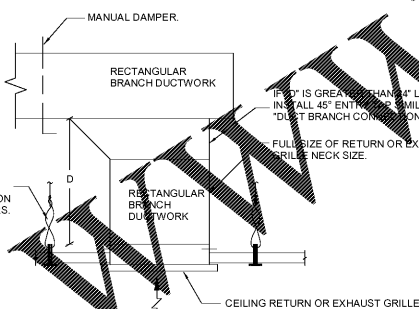
**DUCT BRANCH CONNECTION DETAIL**  
NOT TO SCALE



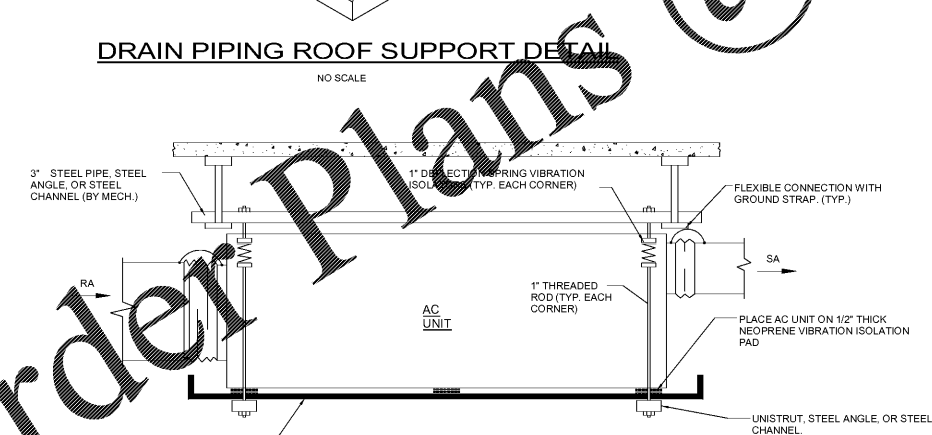
**FLEXIBLE DUCT SUPPORT DETAIL**  
NOT TO SCALE



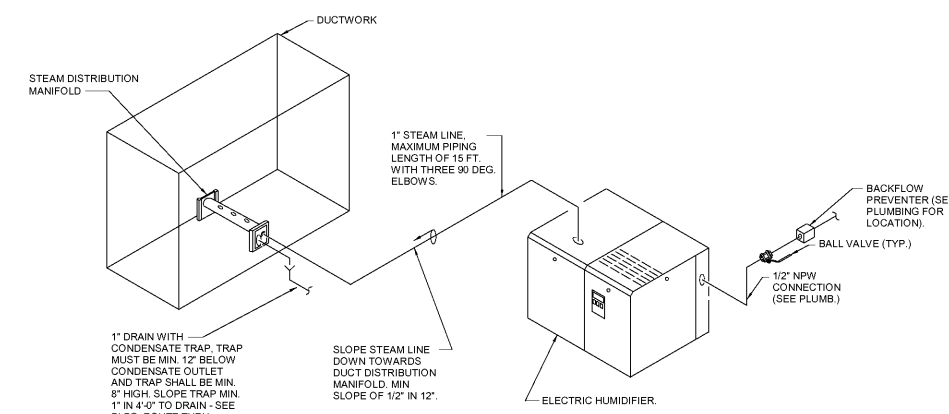
**DRAIN PIPING ROOF SUPPORT DETAIL**  
NO SCALE



**CEILING RETURN/EXHAUST BRANCH CONNECTION DETAIL**  
NOT TO SCALE



**AC UNIT SUPPORT DETAIL**  
NO SCALE



**HUMIDIFIER DETAIL**  
NO SCALE

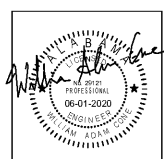
**Order Plans @**

**AUXILIARY DRAIN PAN:**  
 1. AUX. DRAIN PAN SHALL BE 3" LARGER (ALL 4 SIDES) THAN AC UNIT AND SHALL BE 3" DEEP. TOP EDGE SHALL BE HEMMED. FABRICATE FROM 18 GA. GALVANIZED STEEL. SEAL WATER-TIGHT.  
 2. PROVIDE FLOAT SWITCH IN AUX. DRAIN PAN, WIRED TO SHUT DOWN AC UNIT.

**NOTES:**  
 1. ROUTE CONDENSATE DRAIN LINE TO NEAREST HUB DRAIN BOX OR FLOOR DRAIN. SEE PIPING PLAN & SEE PLUMBING.  
 2. PROVIDE MINIMUM OF 36" CLEARANCE ON CONTROL PANEL SIDE OF UNIT TO ACCESS FILTERS, MOTOR, COILS, ETC.

**NOTE:**  
 INSTALL STEAM PIPING, CONDENSATE PIPING, STEAM DISTRIBUTION AND ACCESSORIES, AND NPW PER MANUFACTURER'S RECOMMENDATIONS.

**NEW LIBRARY FOR THE CITY OF OPELIKA**  
 GLENN STREET  
 OPELIKA, ALABAMA 36901



SHEET TITLE:  
DETAILS

PROJ.MGR.: WAC  
 DRAWN: TLM  
 DATE: 06-01-2020  
 REVISIONS:

JOB NO. 19-32  
 SHEET NO. M0.03  
 3 OF 9

SEQUENCE NO. 69 / 90

