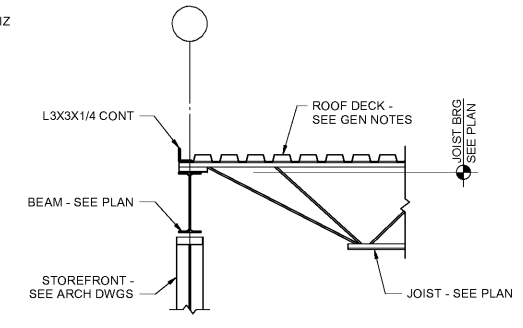
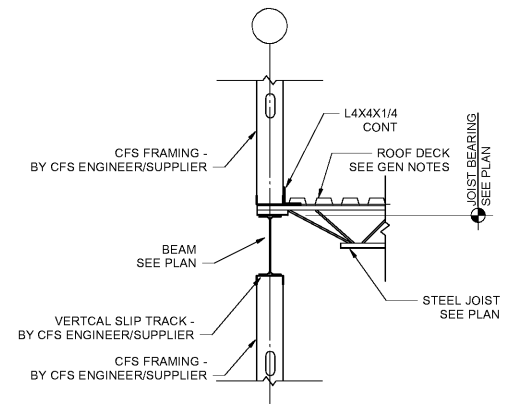


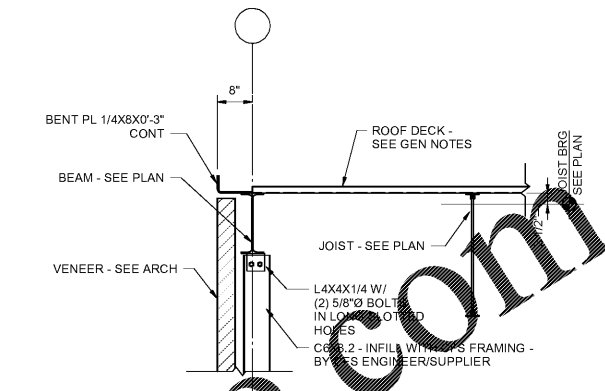
1 Section
 S3.3 3/4" = 1'-0"



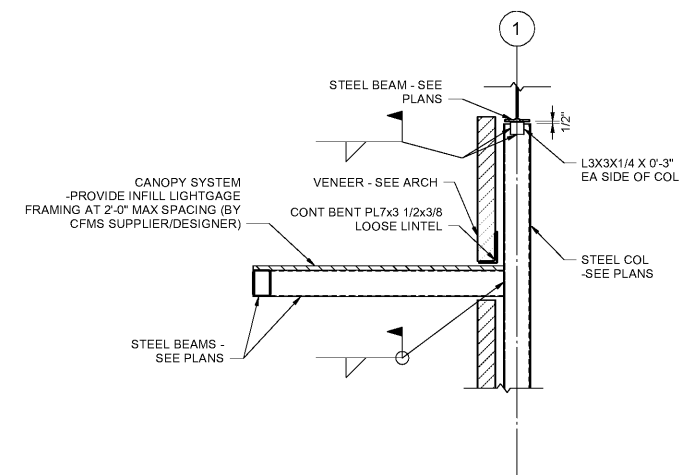
2 Section
 S3.3 3/4" = 1'-0"



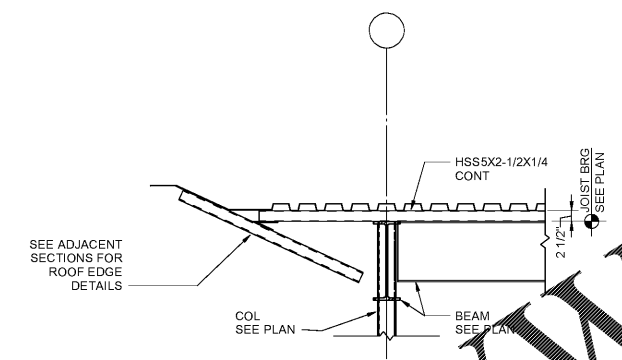
3 Section
 S3.3 3/4" = 1'-0"



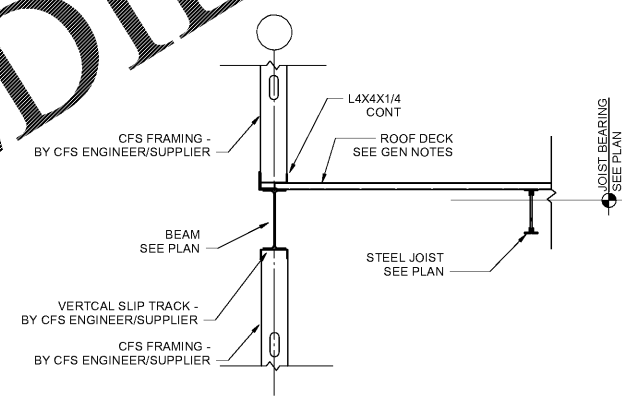
4 Section
 S3.3 3/4" = 1'-0"



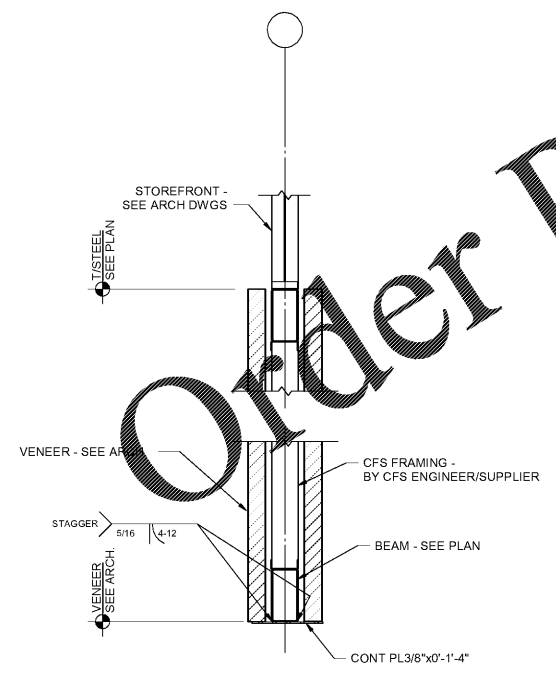
5 Section
 S3.3 3/4" = 1'-0"



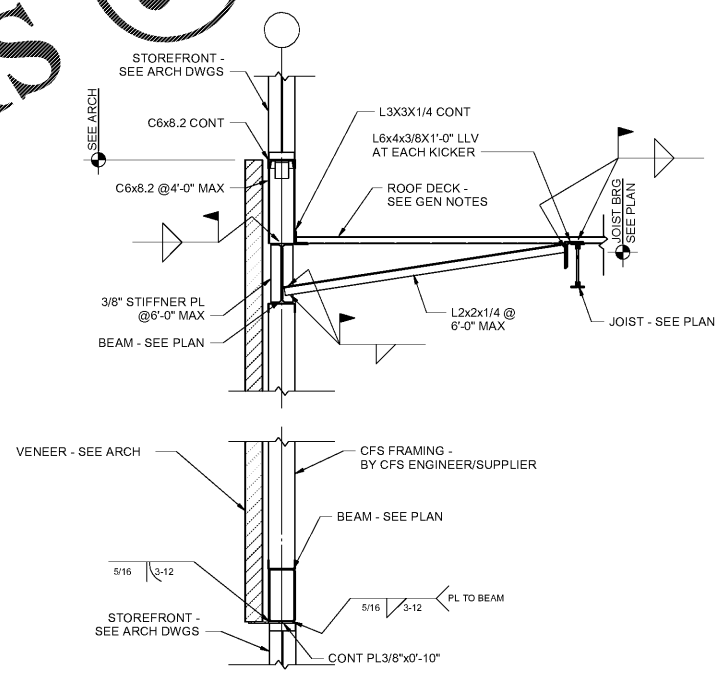
6 Section
 S3.3 3/4" = 1'-0"



8 Section
 S3.3 3/4" = 1'-0"



7 Section
 S3.3 3/4" = 1'-0"



9 Section
 S3.3 3/4" = 1'-0"

Order Plans @ www.LDILine.com

NEW LIBRARY FOR THE CITY OF OPELIKA
 GLENN STREET
 OPELIKA, ALABAMA 36601



SHEET TITLE:
 SECTIONS

PROJ MGR: AC
 DRAWN: MBJ
 DATE: JUNE 1, 2020
 CHECKED BY: BRH

REVISIONS	#	Description	Date

JOB NO. **19-32**
 SHEET NO. **S3.3**
 17 OF 18
 SEQUENCE NO. 65 / 90

