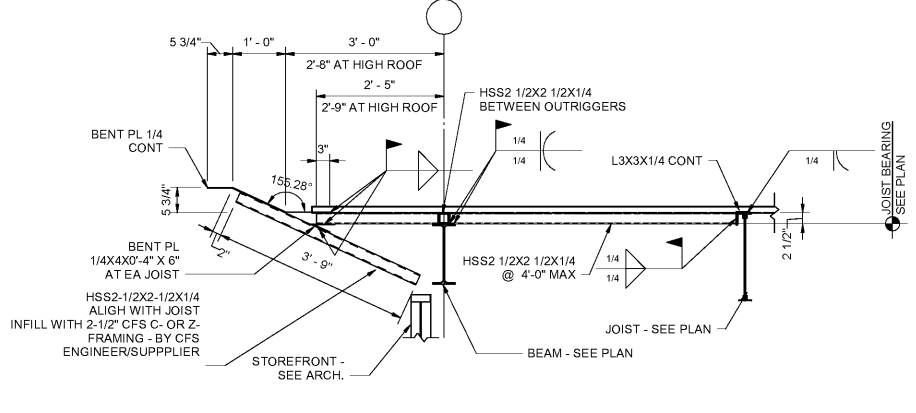
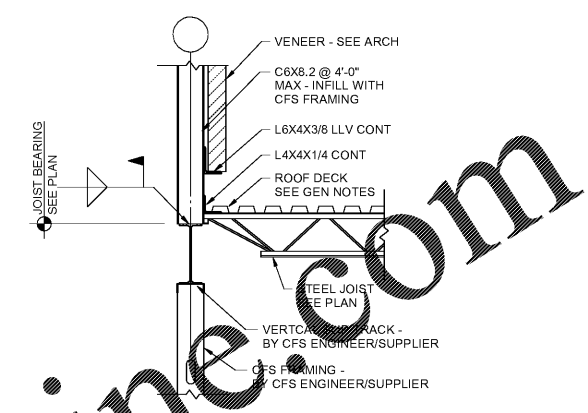


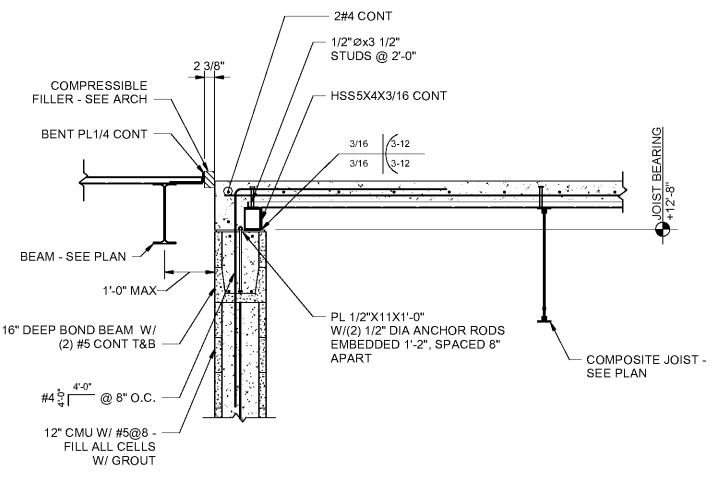
1 Section
 S3.2 3/4" = 1'-0"



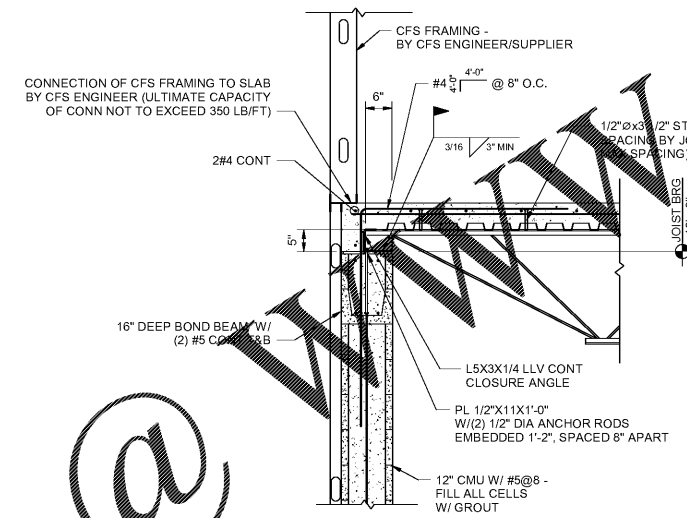
2 Section
 S3.2 3/4" = 1'-0"



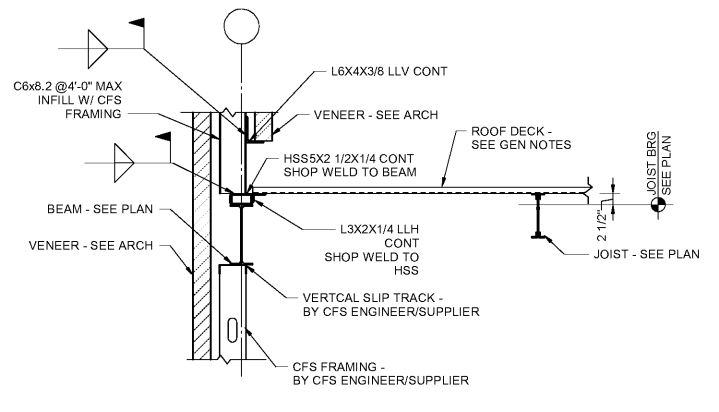
3 Section
 S3.2 3/4" = 1'-0"



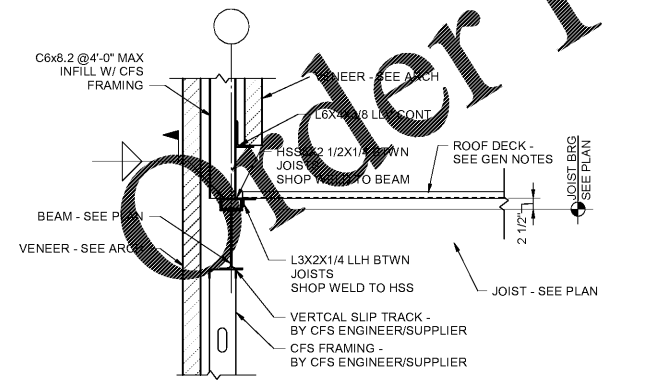
4 Section
 S3.2 3/4" = 1'-0"



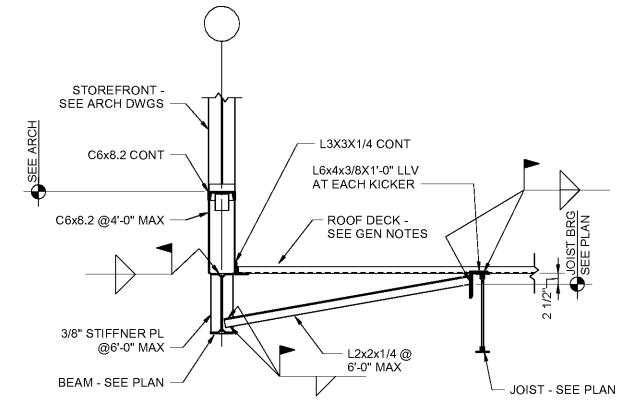
5 Section
 S3.2 3/4" = 1'-0"



6 Section
 S3.2 3/4" = 1'-0"



7 Section
 S3.2 3/4" = 1'-0"



8 Section
 S3.2 3/4" = 1'-0"

WWW.LDILine.com

Order Plans @

NEW LIBRARY FOR THE CITY OF OPELIKA
 GLENN STREET
 OPELIKA, ALABAMA 36601



SHEET TITLE:
 SECTIONS

PROJ MGR: AC
 DRAWN: MBJ
 DATE: JUNE 1, 2020
 CHECKED BY: BRH
 REVISIONS

#	Description	Date

JOB NO. 19-32
 SHEET NO. S3.2
 16 OF 18
 SEQUENCE NO. 64 / 90

