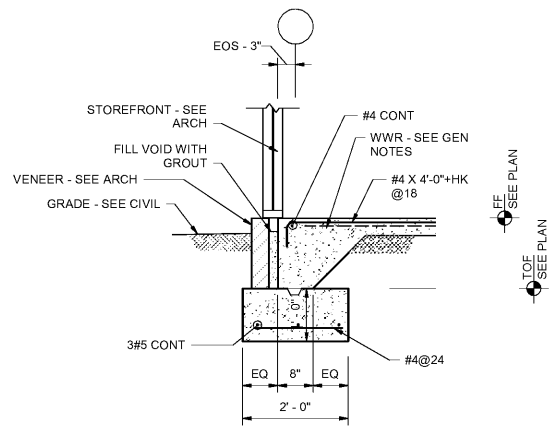
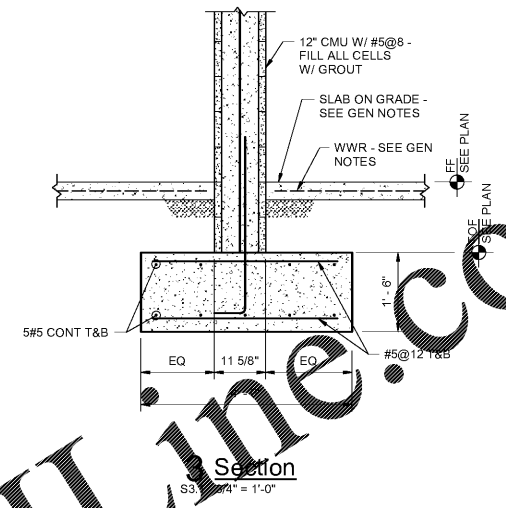


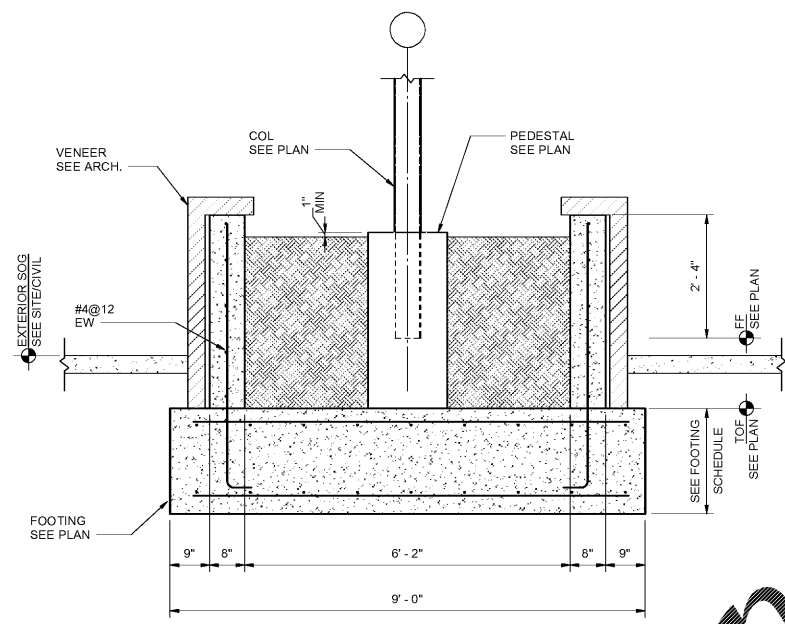
**1 Section**  
 S3.1 3/4" = 1'-0"



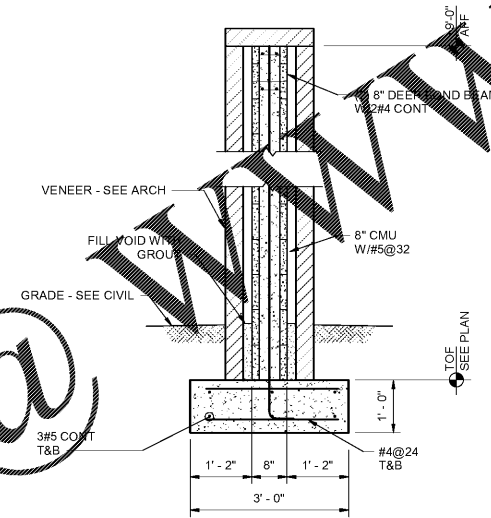
**2 Section**  
 S3.1 3/4" = 1'-0"



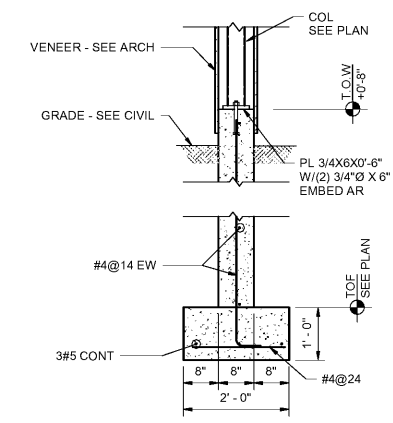
**3 Section**  
 S3.1 3/4" = 1'-0"



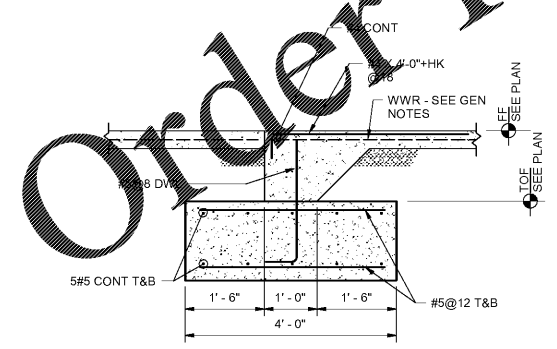
**4 Section**  
 S3.1 3/4" = 1'-0"



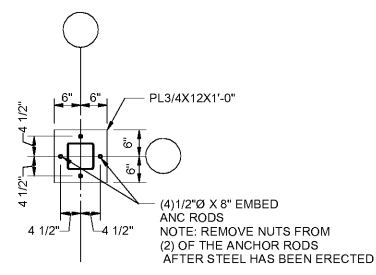
**5 Section**  
 S3.1 3/4" = 1'-0"



**6 Section**  
 S3.1 3/4" = 1'-0"



**7 Section**  
 S3.1 3/4" = 1'-0"



**8 Detail**  
 S3.1 3/4" = 1'-0"

Order Plans

@ WWW.LDILine.com

NEW LIBRARY  
 FOR THE CITY OF OPELIKA  
 GLENN STREET  
 OPELIKA, ALABAMA 36601



SHEET TITLE:  
SECTIONS

PROJ MGR:	AC	
DRAWN:	MBJ	
DATE:	JUNE 1, 2020	
CHECKED BY:	BRH	
REVISIONS:		
#	Description	Date

JOB NO.	19-32
SHEET NO.	S3.1
SEQUENCE NO.	63 / 90

