

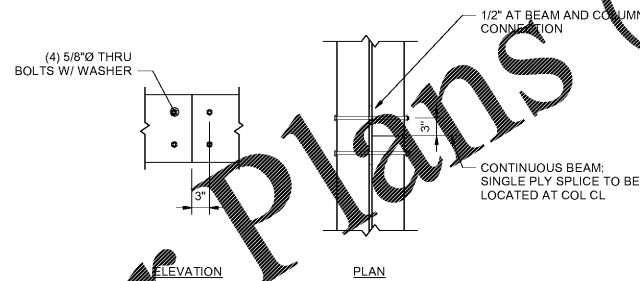
General Notes

WOOD CONSTRUCTION:

- WD.1 WOOD FRAMING MEMBERS: VISUALLY GRADED DIMENSIONED #2 SOUTHERN PINE.
- WD.2 ALL WOOD TO BE PRESSURE TREATED WITH ALKALINE COPPER QUATERNARY (ACQ) IN ACCORDANCE WITH AMERICAN WOOD PROTECTION ASSOCIATION (AWPA) STANDARD U1, COMMODITY SPECIFICATION A.
 - A. USE CATEGORIES:
 - 1. UC3B/ABOVE GROUND EXPOSED - EXPOSED LUMBER DECKING, BEAMS, BLOCKING, ETC.
 - 2. UC4A/GROUND CONTACT OR INCLUSION PER U1, SECTION 2, NOTE 1 - COLUMNS
 - B. ALL FASTENERS, NAILS AND OTHER METAL PRODUCTS USED WITH LUMBER PRESSURE TREATED WITH ACQ SHALL BE HOT-DIP GALVANIZED, STAINLESS STEEL OR AS RECOMMENDED BY THE ACQ MANUFACTURER. PRESSURE TREATED LUMBER SHALL NOT BE IN DIRECT CONTACT WITH ALUMINUM PRODUCTS.
- WD.3 ROOF DECKING SYSTEM IS 2X6 SOLID TIMBER DECKING IN CONTROLLED RANDOM LAYUP PATTERN WITH TONGUE AND GROOVE SIDE LAPS (15% MAX MOISTURE CONTENT). FASTEN TO TRUSSES WITH (3)-16d NAILS;(1)THROUGH TONGUE AND (2)THROUGH FACE.
- WD.4 ALL MANUFACTURED WOOD FRAMING CONNECTORS TO BE BY SIMPSON STRONG-TIE COMPANY, INC. OR APPROVED EQUAL. ALL CONNECTORS SHALL BE FASTENED TO FRAMING MEMBERS FILLING THE REQUIRED NUMBER OF CONNECTOR HOLES WITH THE TYPE AND SIZE FASTENERS SPECIFIED BY THE MANUFACTURER.
- WD.5 BOLTS: ASTM A307 GRADE A W/ ASTM A653 HEX NUTS AND WASHERS.
- WD.6 NAILS, WIRE BRADS, STAPLES: SHALL CONFORM TO ASTM F1667.
- WD.7 WOOD SCREWS: SHALL CONFORM TO ASME B18.6.1.
- WD.8 LAG BOLTS: SHALL CONFORM TO ASME B18.2.1.

WOOD TRUSSES:

- WT.1 THE WOOD TRUSS SYSTEM DESIGN IS TO INCLUDE ALL CONNECTIONS BETWEEN HEAVY TIMBER MEMBERS. USE PLATE AND THRU BOLTES PRIMED AND FINISHED WITH BLACK COATING. CALCULATIONS SHALL BEAR THE SEAL OF A PROFESSIONAL ENGINEER REGISTERED IN THE STATE OF ALABAMA.
- WT.2 TRUSS MANUFACTURER SHALL DESIGN FOR THE FOLLOWING SUPERIMPOSED LOADS:
 - 1. TOP CHORD DEAD LOAD -----10 PSF
 - 2. TOP CHORD LIVE LOAD -----20 PSF
 - 3. TOP CHORD ROOF PRESSURE-----±16 PSF
- WT.3 IN ADDITION TO THE ABOVE LOADS, WOOD TRUSSES SHALL BE DESIGNED FOR CONCENTRATED LOADS HUNG FROM OR SUPPORTED ON TRUSSES. LOADING SUCH AS FROM LIGHTING OR FANS SHALL BE COORDINATED BY THE CONTRACTOR. ADDITIONAL FRAMING MAYBE REQUIRED AT THESE LOCATIONS.
- WT.4 ALL TRUSS REQUIRE (2)-H2.5 HOLD-DOWNS TO BE BY SIMPSON STRONG-TIE COMPANY, INC. OR APPROVED EQUAL AT EACH SUPPORT. ALL CONNECTORS SHALL BE FASTENED TO FRAMING MEMBERS FILLING THE REQUIRED NUMBER OF CONNECTOR HOLES WITH THE TYPE AND SIZE FASTENERS SPECIFIED BY THE MANUFACTURER.
- WT.5 ALL TEMPORARY AND PERMANENT BRACING MEMBERS AND CONNECTIONS REQUIRED FOR WOOD TRUSSES SHALL BE DETAILED ON THE WOOD TRUSS MANUFACTURER'S ERECTION PLANS.

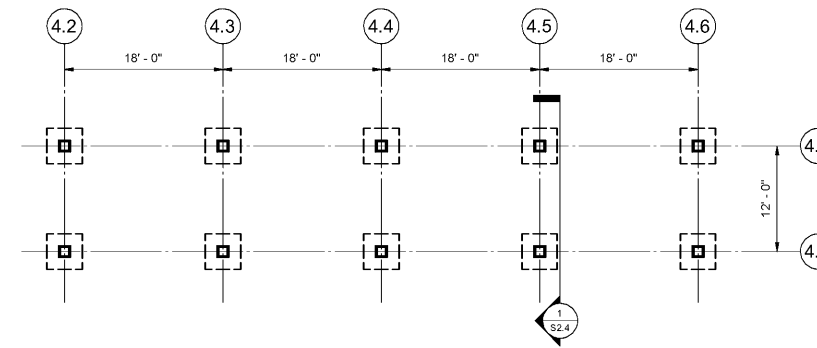


"B1" Beam Splice Detail

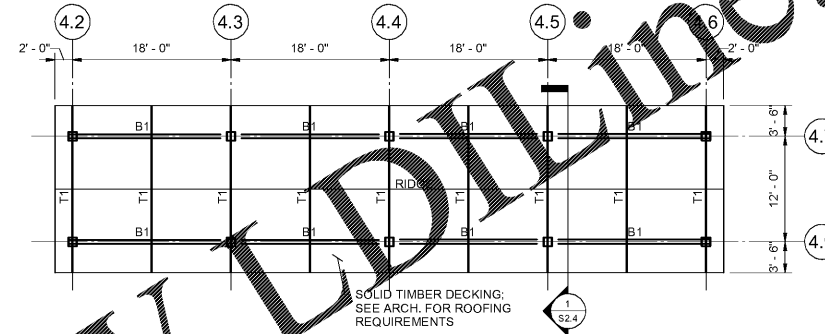


8 Bars

Pier Tie Details

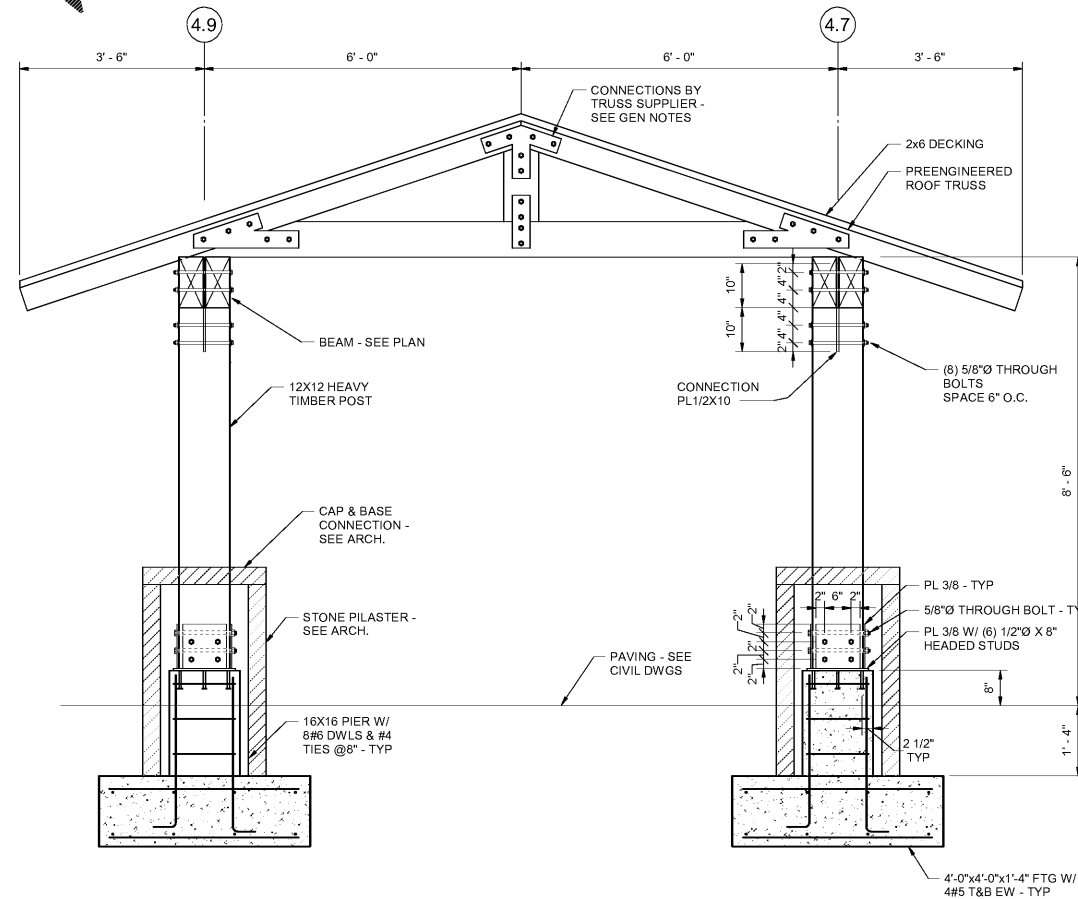


Pavilion Foundation Plan
1/8" = 1'-0"



Pavilion Roof Framing Plan
1/8" = 1'-0"

- 1. ALL COLUMNS ARE 12X12 SAWN LUMBER. SEE GENERAL NOTES. COLUMN TO BEAM CONNECTION:(2)-APT6 T-SHAPE FLAT STRAPS
- 2. T1 INDICATES PREENGINEERED HEAVY TIMBER TRUSSES. SEE GENERAL NOTES. B1 INDICATES BUILT-UP BEAM:(2)-6X12. SEE SPLICE DETAIL.



1 Section
S2.4 3/4" = 1'-0"



LATHAN ASSOCIATES ARCHITECTS, P.C.
300 CHASE PARK SOUTH
SUITE 200, MOBILE, ALABAMA 36684
PH: 251-988-9112 FAX: 251-988-9196

NEW LIBRARY FOR THE CITY OF OPELIKA
GLENN STREET
OPELIKA, ALABAMA 36801



SHEET TITLE:
PAVILION ROOF FRAMING PLAN AND DETAILS

PROJ MGR: AC
DRAWN: MBJ
DATE: JUNE 1, 2020
CHECKED BY: BRH
REVISIONS
Description Date

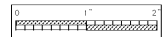
JOB NO. 19-32

SHEET NO.

S2.4

14 OF 18

SEQUENCE NO. 62 / 90



Order Plans @ WWW.LDOnline.com