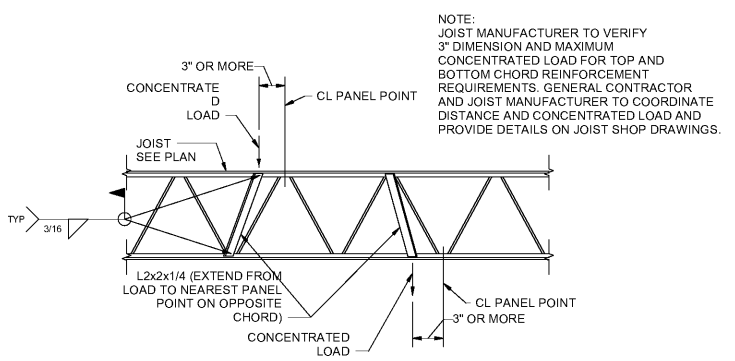
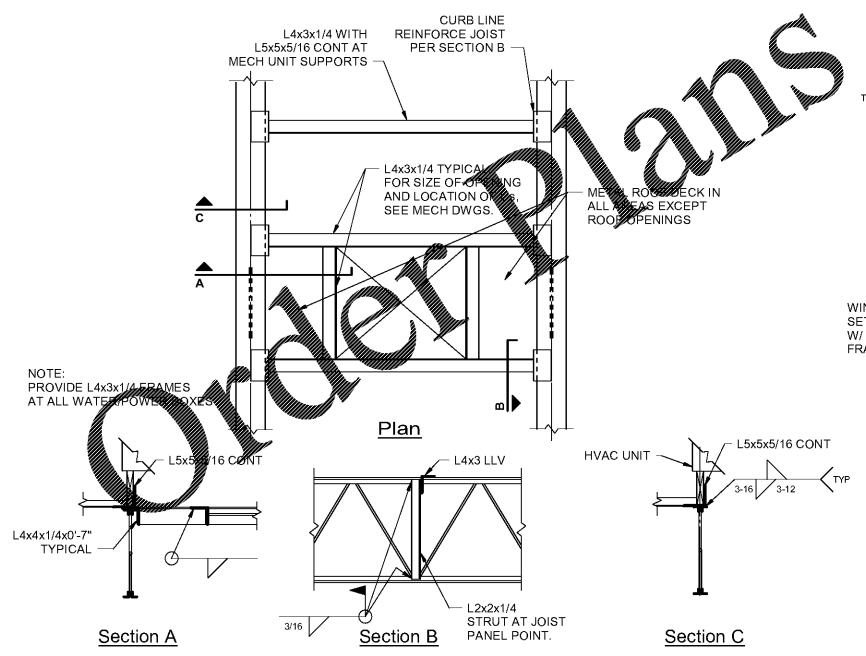


NOMINAL PIPE Ø (IN)	WEIGHT OF PIPE&WATER(ppl)
4	17.9
5	25.5
6	34.7
8	55.3
10	82.1
12	108.5
14	125.7
16	155.9
18	189.0

Joist Reinforcement Pipe Hanger Detail

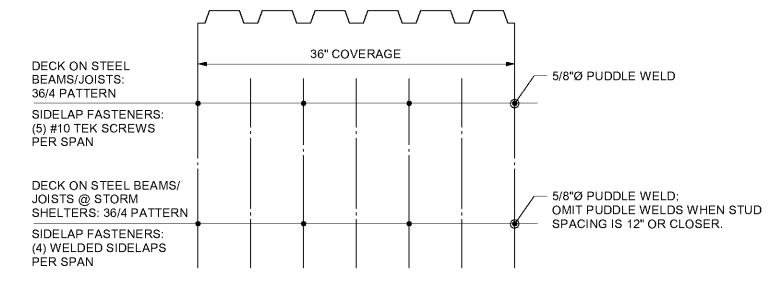


Joist Reinforcement Detail

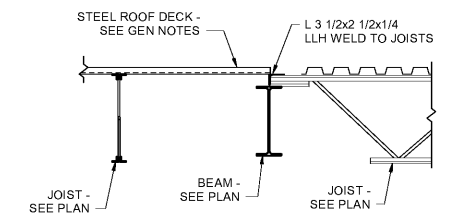


Roof & Floor Equipment and Opening Frame Detail

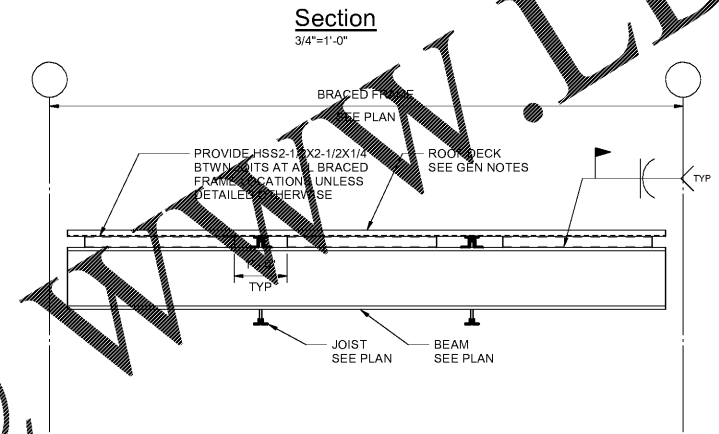
AT ROOF OPENINGS LARGER THAN 8' AND AT ALL ROOF HATCHES.
AT FLOOR OPENINGS LARGER THAN 6' AND SMALLER THAN 36'



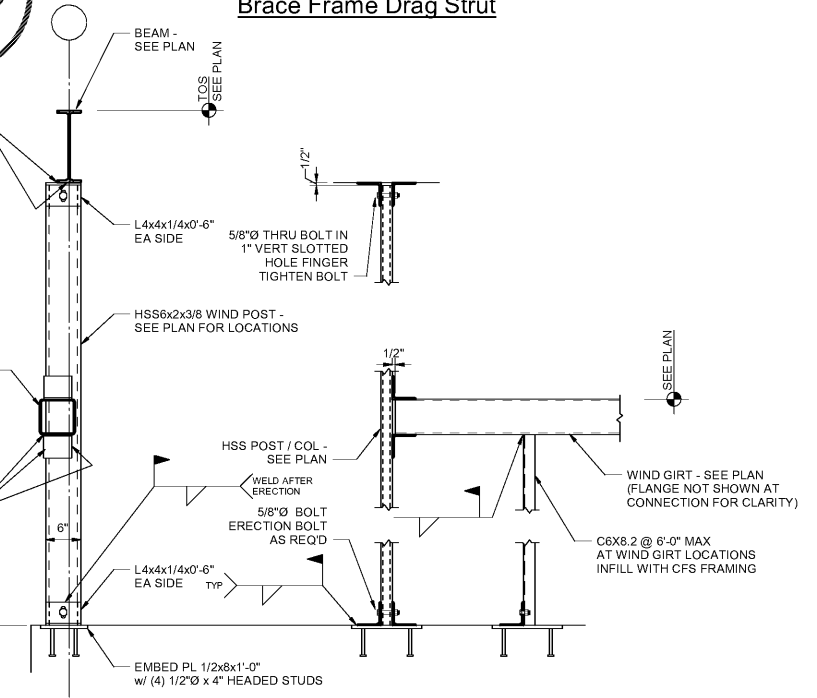
Attachment Pattern Layouts



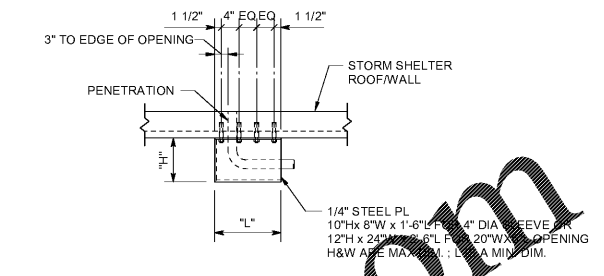
NOTE: WHERE L3 1/2x2 1/2x1/4 SUPPORT DISTANCE EXCEEDS 7'-0" PROVIDE HSS4x2 1/2x3/16x0'-6" AT MID POINT BTWN JOIST WELD HSS TO BEAM FLANGE AND WELD ANGLE TO HSS W/ MIN OF 3/16 WELD 2" LONG.



Brace Frame Drag Strut

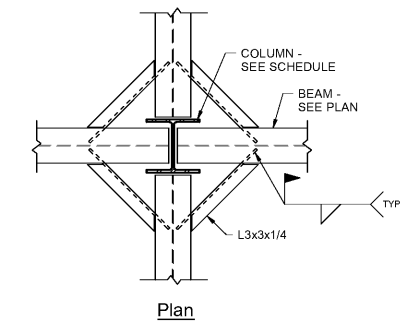


Wind Girt / Post Typical Detail

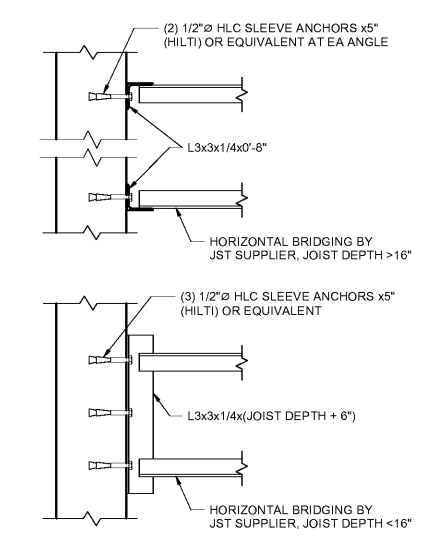


Baffle Detail at Storm Shelter

NOTES:
1. BAFFLE REQUIRED FOR ALL PENETRATIONS GREATER THAN 3 1/2 SQ INCHES IN AREA OR HAVING A DIA GREATER THAN 2 1/16 INCHES.
2. PROVIDE BAFFLE AT SIMILAR MASONRY WALL CONDITIONS.



Deck Support Detail



Joist Bridging Anchors Detail

NEW LIBRARY FOR THE CITY OF OPELIKA
GLENN STREET
OPELIKA, ALABAMA 36801



SHEET TITLE:
TYPICAL DETAILS

PROJ MGR: AC
DRAWN: MBJ
DATE: JUNE 1, 2020
CHECKED BY: BRH

REVISIONS	#	Description	Date

JOB NO. 19-32
SHEET NO. S1.4
10 OF 18
SEQUENCE NO. 58 / 90

