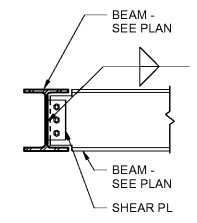


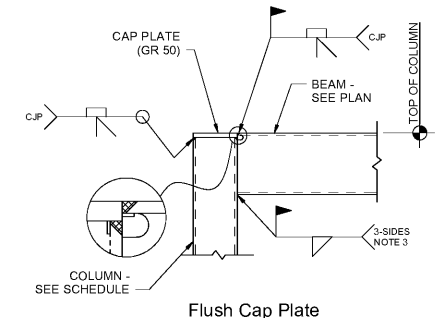
**Shear Plate**  
 NOTE: MINIMUM 3/8" THICK SHEAR PLATE.

**Extended Shear Plate**  
 NOTE: MINIMUM 3/8" THICK SHEAR PLATE.

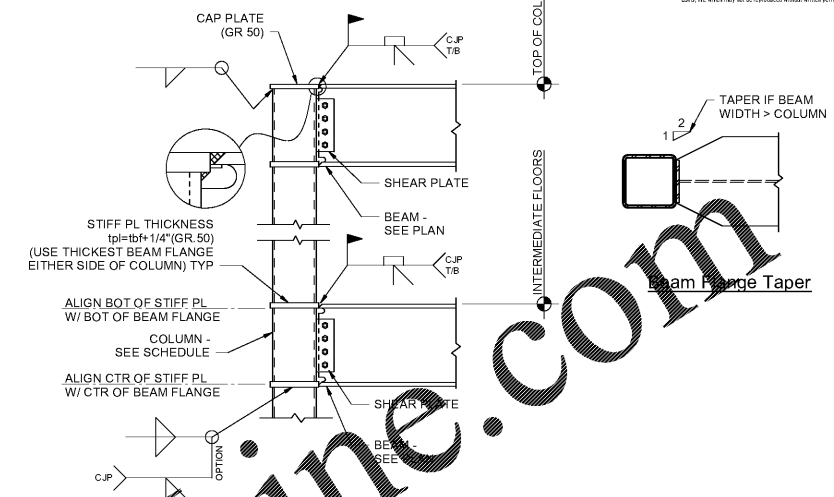


**Shear Plate**  
 NOTE: MINIMUM 3/8" THICK SHEAR PLATE.

**Beam to Beam Connection Detail**  
 NOTE: THESE DETAILS ARE SCHEMATIC AND ARE NOT A COMPLETE DESIGN. DESIGN IS BY FABRICATOR/ CONNECTION ENGINEER.



**Flush Cap Plate**

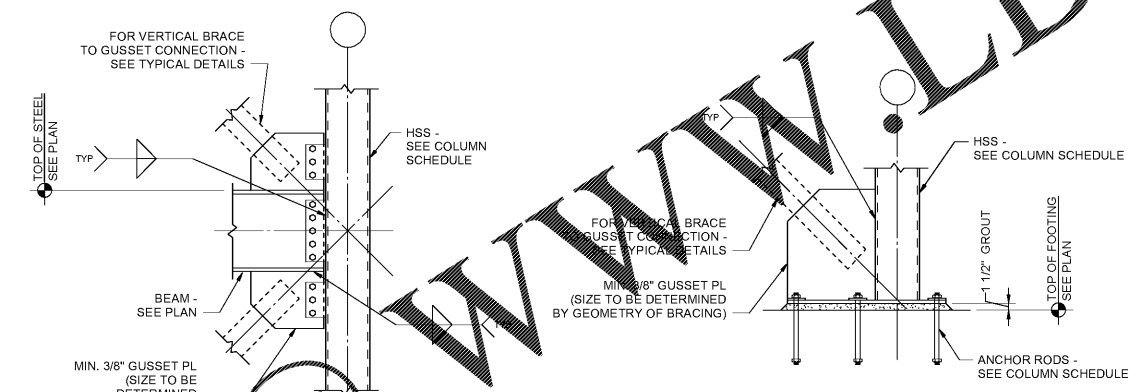


**WF Beam - Reinforced HSS Column Welded Moment Connection**

- NOTES:  
 1. CHECK SPACING FOR MOMENT CONNECTION LOCATIONS.  
 2. CONNECTION DESIGNER TO CHECK CONCENTRATED LOADS ON SUPPORTING MEMBER.  
 3. COLUMN REINFORCING TO BE DETERMINED/ DESIGNED BY CONNECTION ENGINEER.  
 4. THESE DETAILS ARE SCHEMATIC AND ARE NOT A COMPLETE DESIGN. DESIGN IS BY FABRICATOR/ CONNECTION ENGINEER.

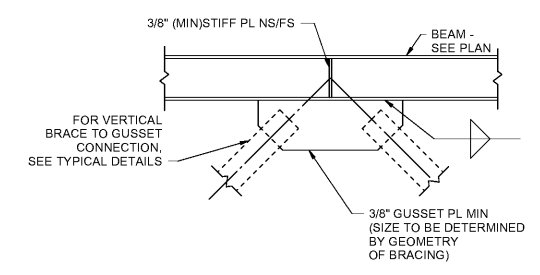
**Beam to HSS Column Connection Detail**

NOTE: THESE DETAILS ARE SCHEMATIC AND ARE NOT A COMPLETE DESIGN. DESIGN IS BY FABRICATOR/ CONNECTION ENGINEER.



**Base Plate Detail**

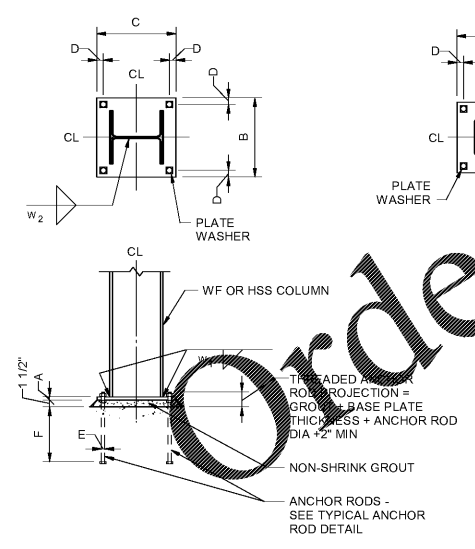
NOTE: 1. THIS DETAIL IS SCHEMATIC AND IS NOT A COMPLETE DESIGN. DESIGN IS BY FABRICATOR/CONNECTION ENGINEER.  
 2. SLAB NOT SHOWN FOR CLARITY



**Concentric Brace Connection To Beam**

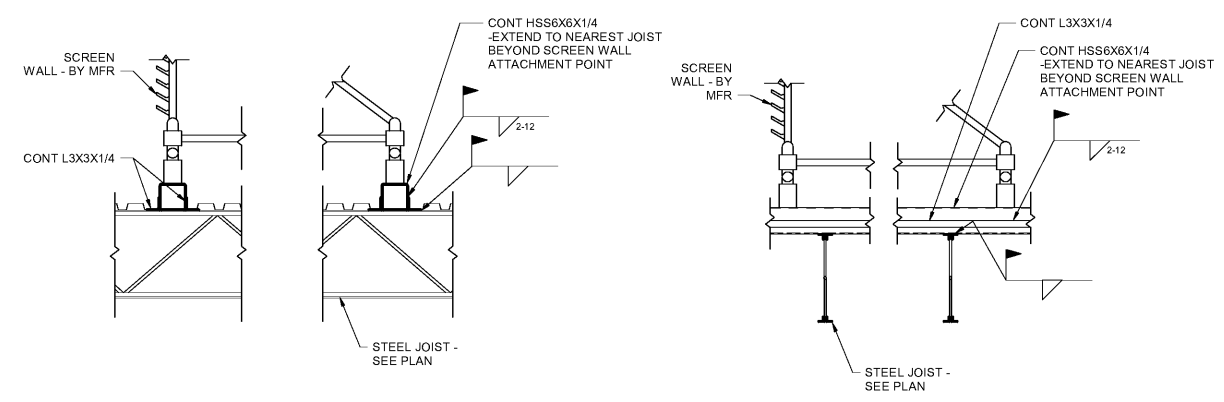
NOTE: THIS DETAIL IS SCHEMATIC AND IS NOT A COMPLETE DESIGN. DESIGN IS BY FABRICATOR/CONNECTION ENGINEER.

COLUMN BASE PLATE MARK	BASE PLATE				ANCHOR RODS		WELD		
	A	B	C	D	E	F	NO.	W <sub>1</sub>	W <sub>2</sub>
HSS4	3/4"	10"	10"	1 1/2"	3/4"Ø	12"	4	1/4"	---
HSS6	3/4"	12"	12"	1 1/2"	3/4"Ø	12"	4	1/4"	---



**Gravity Wide Flange and HSS Column Base Plate w/ Anchor Rod Schedule**

**Vertical Brace Joint Connection Detail**



**Mechanical Screen Wall Support Details**

NOTE 1: AT BEAMS THAT ARE -2 1/2" BELOW TOP OF JOIST ELEVATION, PROVIDE HSS2-1/2X2-1/2X1/4 SHIMS.

NEW LIBRARY  
 FOR THE CITY OF OPELIKA  
 GLENN STREET  
 OPELIKA, ALABAMA 36601



SHEET TITLE:  
 TYPICAL DETAILS

PROJ MGR: AC  
 DRAWN: MBJ  
 DATE: JUNE 1, 2020  
 CHECKED BY: BRH

REVISIONS	#	Description	Date

JOB NO. 19-32  
 SHEET NO. S1.3  
 9 OF 18  
 SEQUENCE NO. 57 / 90

