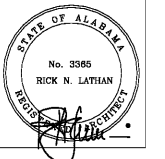




LATHAN ASSOCIATES  
ARCHITECTS, P.C.  
300 CHASE PARK SOUTH  
SUITE 200 - HOUSTON, ALABAMA 35244  
PH: 205-988-9112 FAX: 205-988-9186

NEW PUBLIC LIBRARY  
FOR THE CITY OF OPELIKA  
GLENN STREET  
OPELIKA, ALABAMA 36801



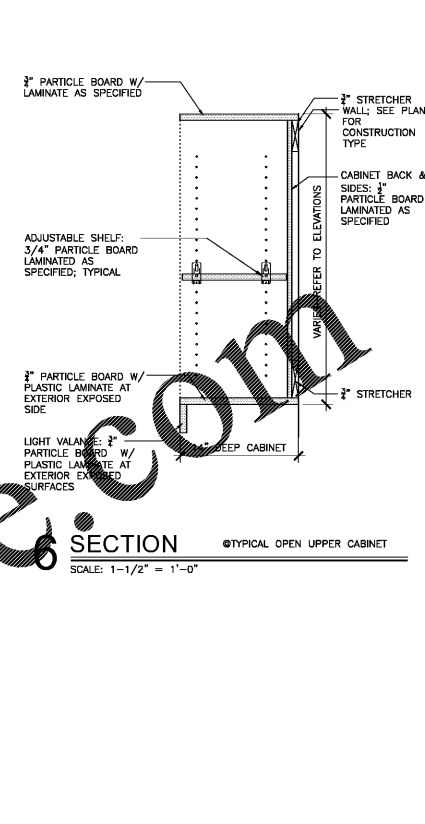
SHEET TITLE:  
MILLWORK DETAILS

PROJ. MGR.: S. CALMA  
DRAWN: BL  
DATE: JUNE 01, 2020  
CHECKED BY:  
REVISIONS:

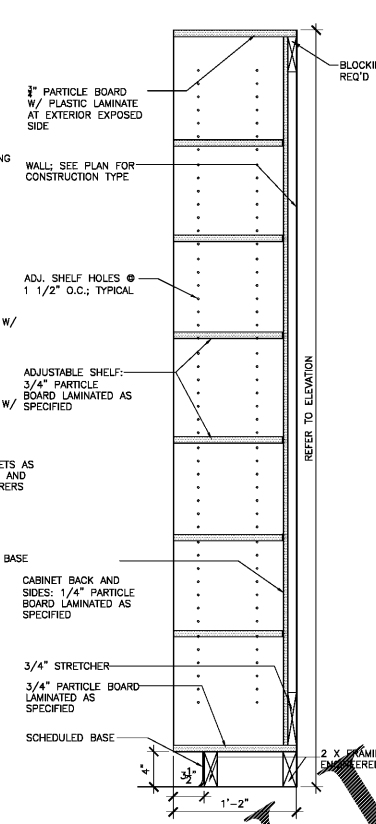
JOB NO. 19-32  
SHEET NO.:

A5.3

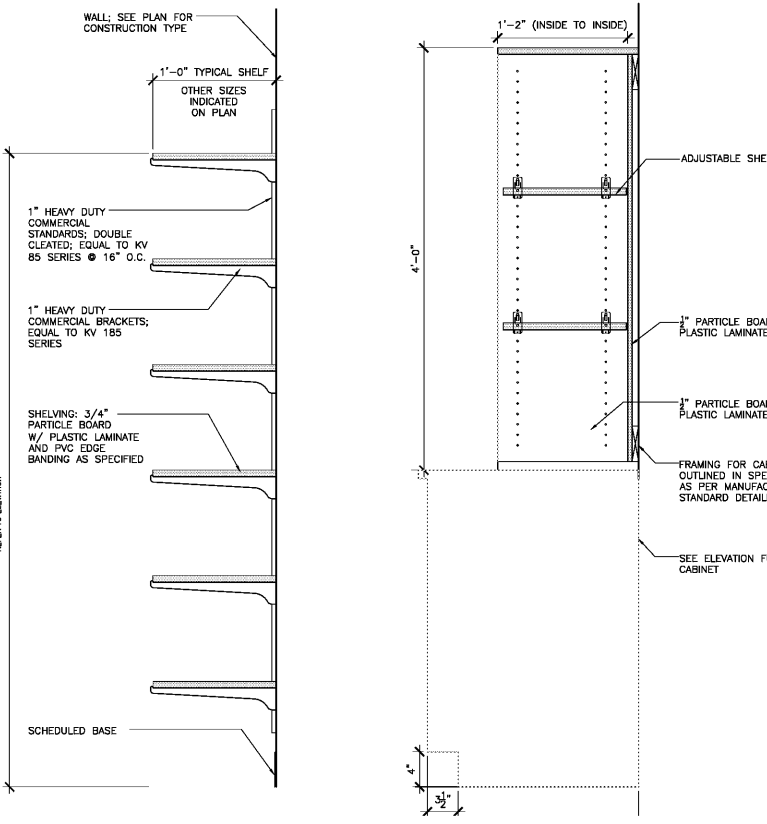
33 OF 37  
SEQUENCE NO:  
44 / 90



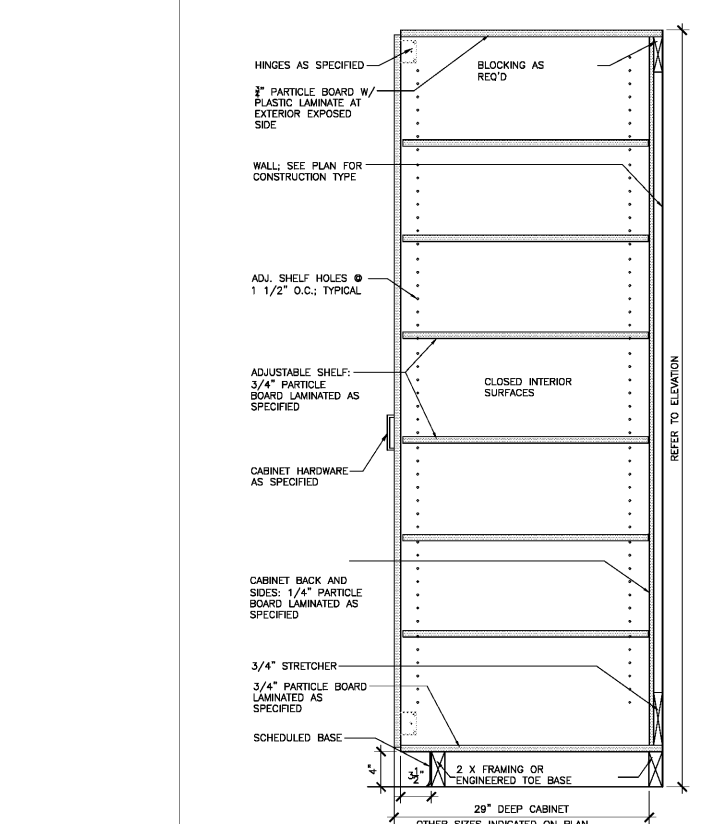
5 SECTION TYPICAL WALL MOUNTED SHELVING  
SCALE: 1-1/2" = 1'-0"



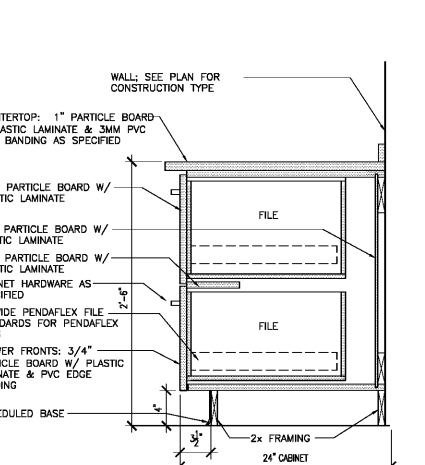
6 SECTION TYPICAL OPEN UPPER CABINET  
SCALE: 1-1/2" = 1'-0"



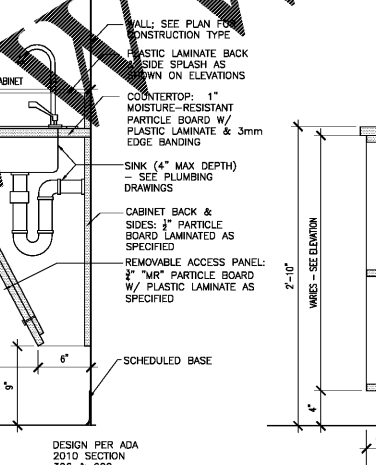
7 SECTION TYPICAL STORAGE CABINET  
SCALE: 1-1/2" = 1'-0"



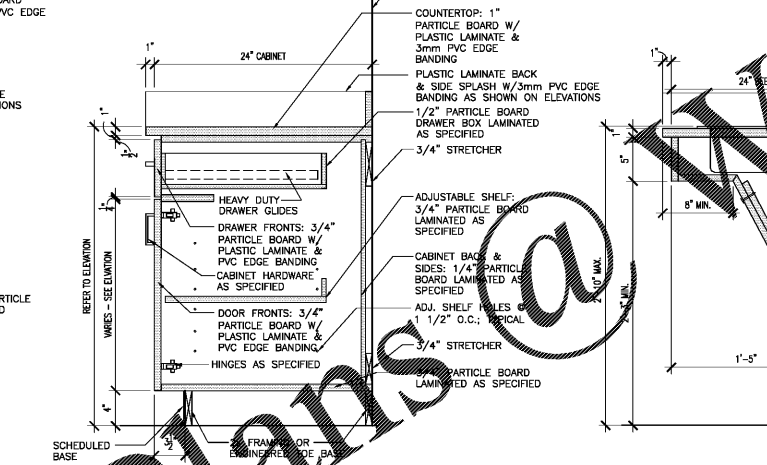
8 SECTION TYPICAL WALL MOUNTED SHELVING  
SCALE: 1-1/2" = 1'-0"



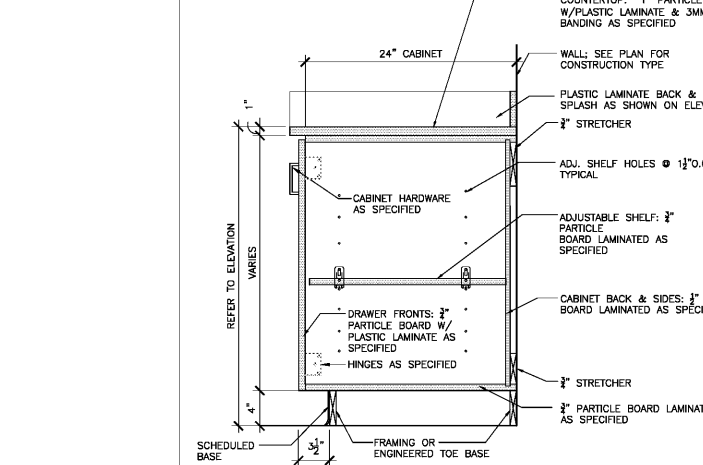
9 SECTION ADA SINK BASE CABINET  
SCALE: 1-1/2" = 1'-0"



10 SECTION OPEN SHELVING BASE CABINET  
SCALE: 1-1/2" = 1'-0"



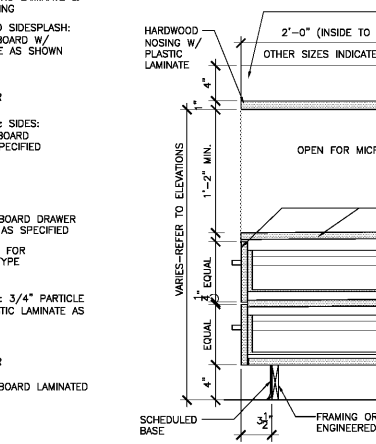
11 SECTION FILE/FILE BASE CABINET  
SCALE: 1-1/2" = 1'-0"



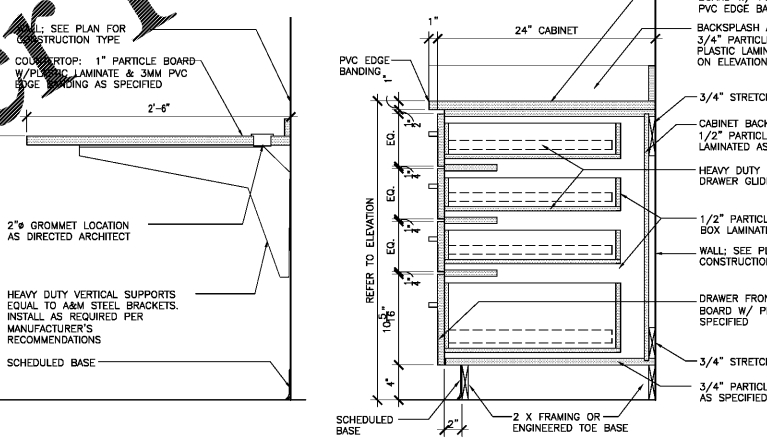
12 SECTION BASE CABINET W/DOOR  
SCALE: 1-1/2" = 1'-0"



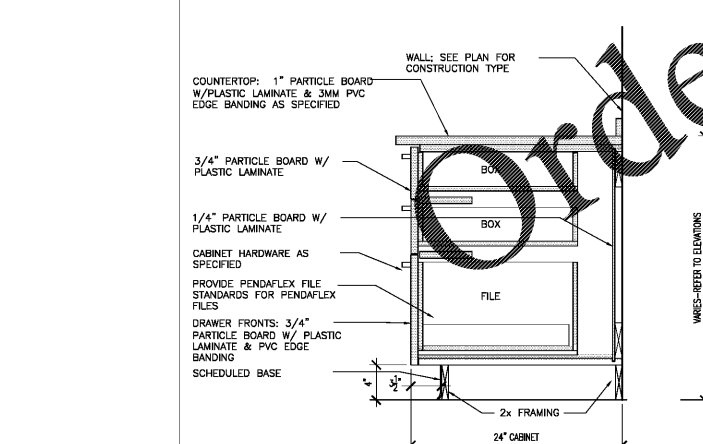
13 SECTION MICROWAVE BASE CABINET  
SCALE: 1-1/2" = 1'-0"



14 SECTION 4-DRAWER BASE CABINET  
SCALE: 1-1/2" = 1'-0"



15 SECTION WORKSURFACE  
SCALE: 1-1/2" = 1'-0"



16 SECTION BOX/BOX/FILE BASE CABINET  
SCALE: 1-1/2" = 1'-0"