

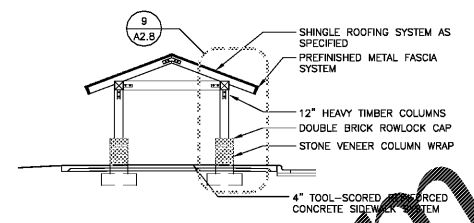
SHEET TITLE:
PAVILION AND MONUMENT
SIGN ENLARGED PLAN,
ELEVATIONS, AND SECTIONS

PROJ. MGR.: S. CALMA
DRAWN: S. WILSON
DATE: JUNE 01, 2020
CHECKED BY:
REVISIONS:

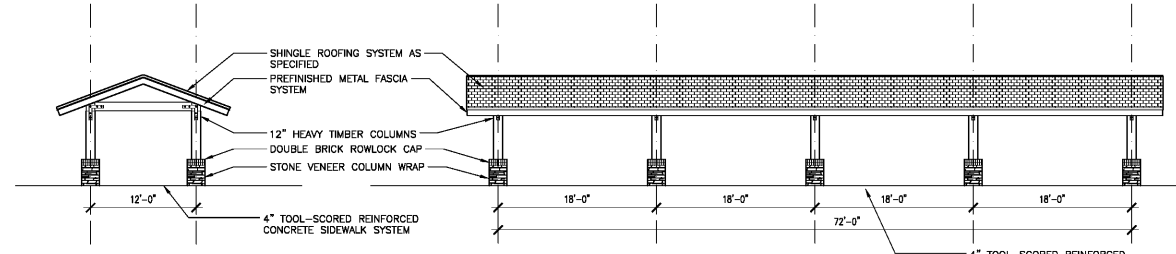
JOB NO. 19-32
SHEET NO:

A2.8

16 OF 37
SEQUENCE NO:
27 / 90

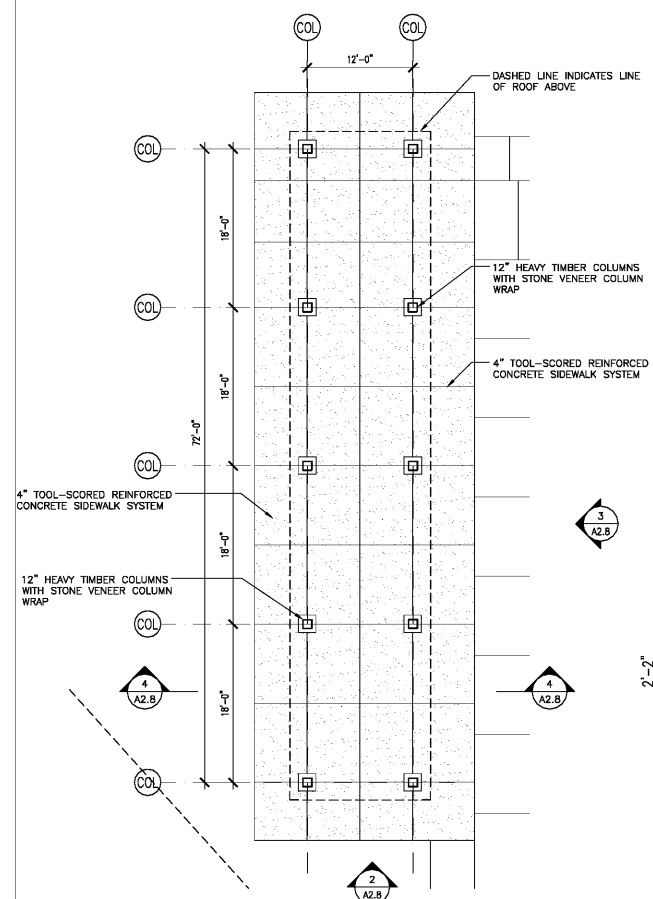


4 PAVILION SECTION
SCALE: 1/8" = 1'-0"

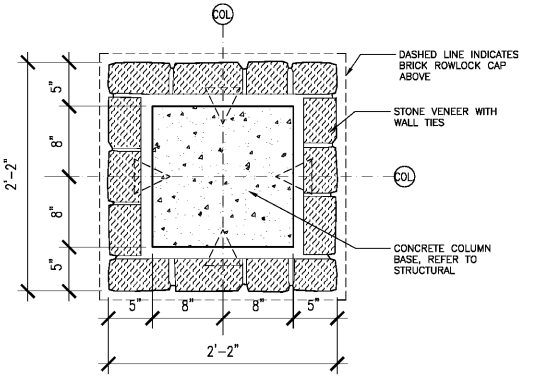


3 PAVILION ELEVATION
SCALE: 1/8" = 1'-0"

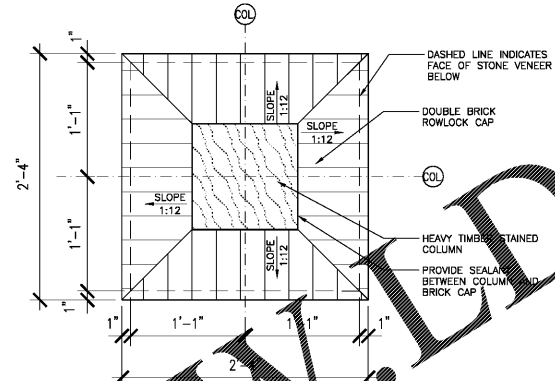
2 PAVILION ELEVATION
SCALE: 1/8" = 1'-0"



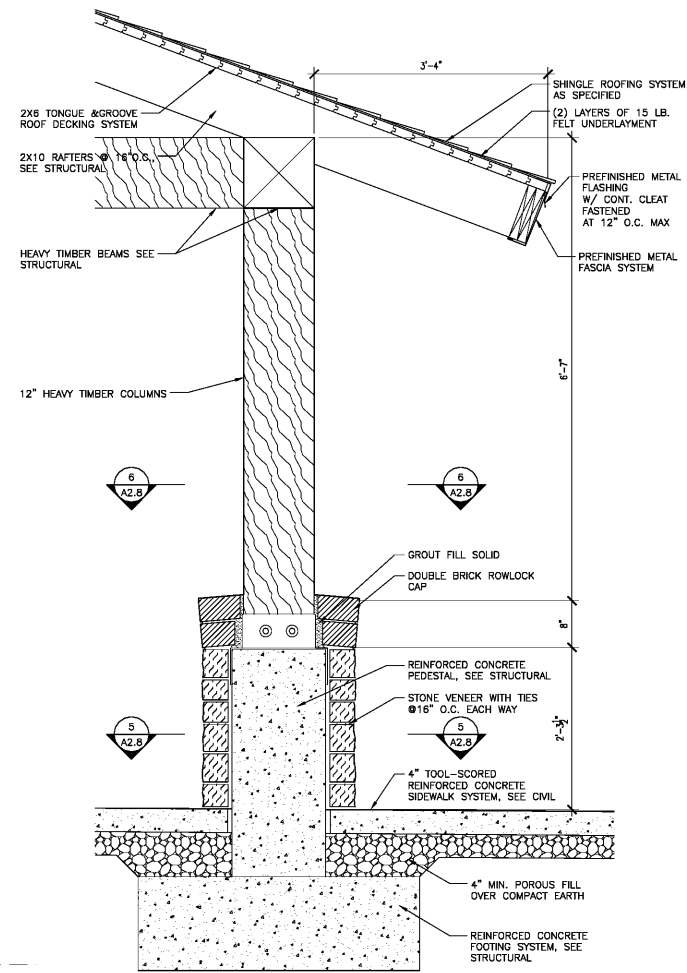
1 PAVILION FLOOR PLAN
SCALE: 1/8" = 1'-0"



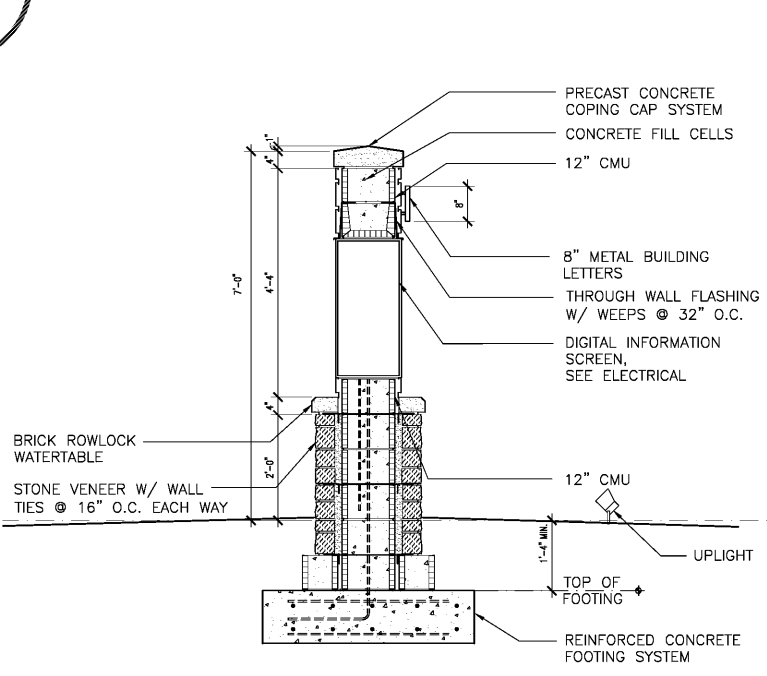
5 COLUMN WRAP DETAIL
SCALE: 1/8" = 1'-0"



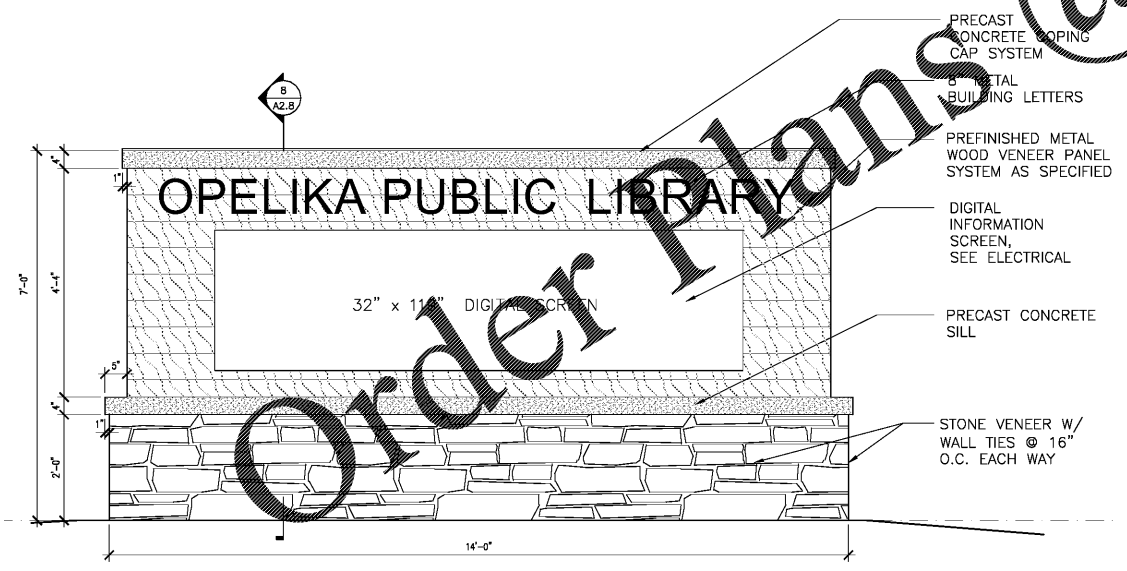
6 COLUMN CAP DETAIL
SCALE: 1/8" = 1'-0"



9 PAVILION WALL SECTION
SCALE: 3/4" = 1'-0"



8 MONUMENT SIGN SECTION
SCALE: 3/4" = 1'-0"



7 MONUMENT SIGN ELEVATION
SCALE: 3/4" = 1'-0"