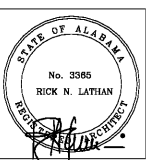




LATHAN ASSOCIATES
ARCHITECTS, P.C.
300 CHASE PARK SOUTH
SUITE 200 - HOUSTON, ALABAMA 35844
PH: 205-988-9112 FAX: 205-988-9186

NEW PUBLIC LIBRARY
FOR THE CITY OF OPELIKA
GLENN STREET
OPELIKA, ALABAMA 36801



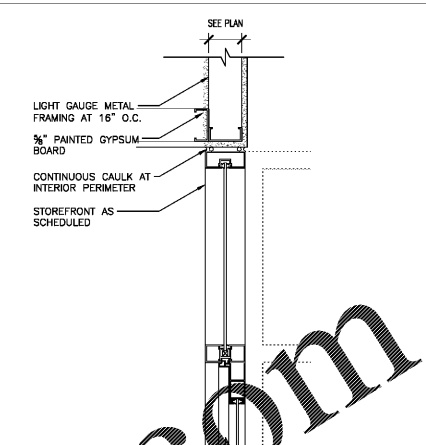
SHEET TITLE:
STOREFRONT DETAILS

PROJ. MGR.: S. CALMA
DRAWN: K. WOOD
DATE: JUNE 01, 2020
CHECKED BY:
REVISIONS:

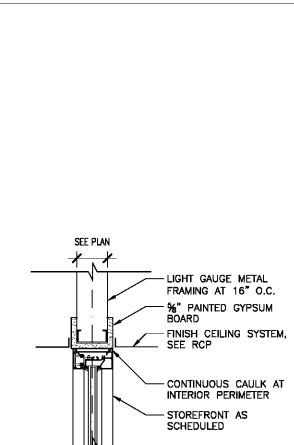
JOB NO. 19-32
SHEET NO.:

A2.7

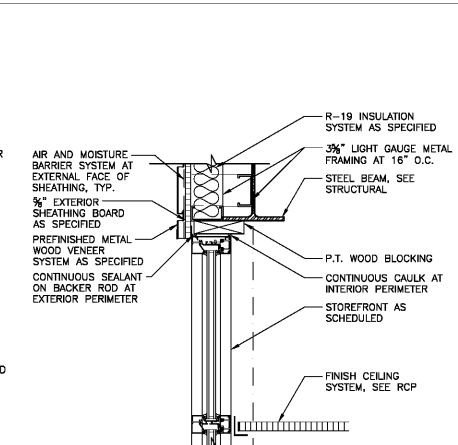
15 OF 37
SEQUENCE NO:
26 / 90



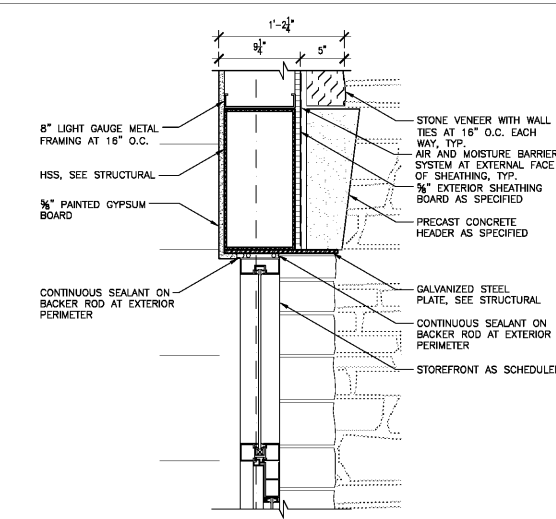
16 STOREFRONT DETAILS
SCALE: 1 1/2" = 1'-0" HEAD



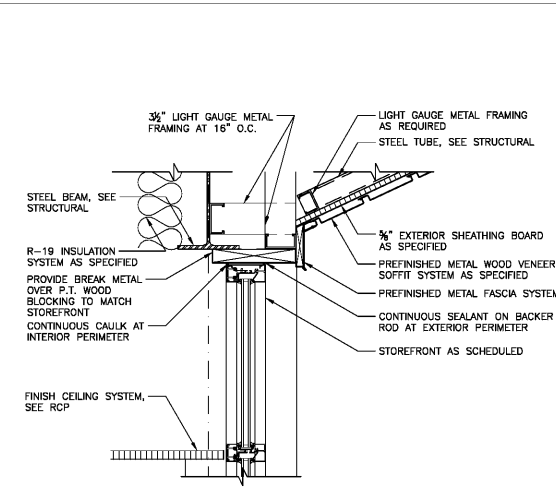
12 STOREFRONT DETAILS
SCALE: 1 1/2" = 1'-0" HEAD



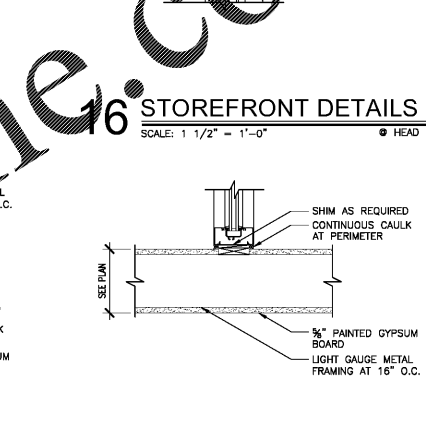
8 STOREFRONT DETAILS
SCALE: 1 1/2" = 1'-0" HEAD



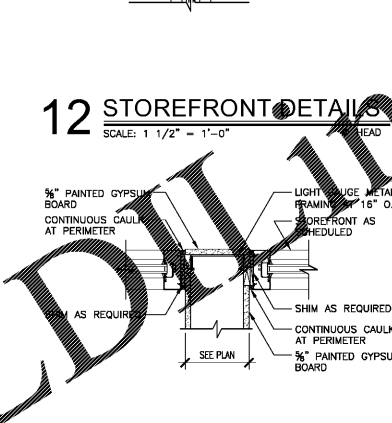
5 STOREFRONT DETAILS
SCALE: 1 1/2" = 1'-0" HEAD



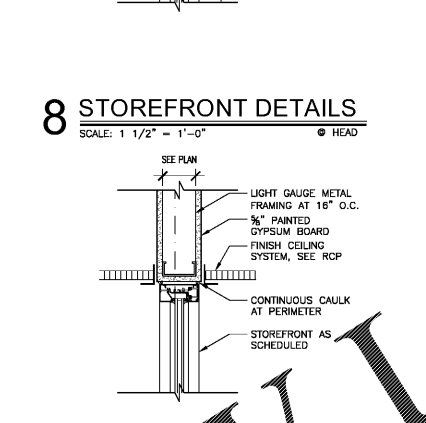
1 STOREFRONT DETAILS
SCALE: 1 1/2" = 1'-0" HEAD



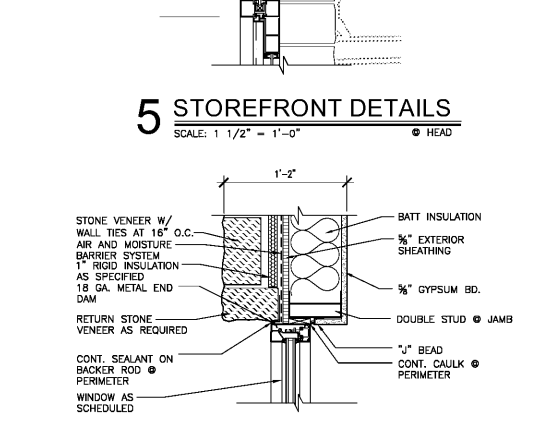
17 STOREFRONT DETAILS
SCALE: 1 1/2" = 1'-0" JAMB



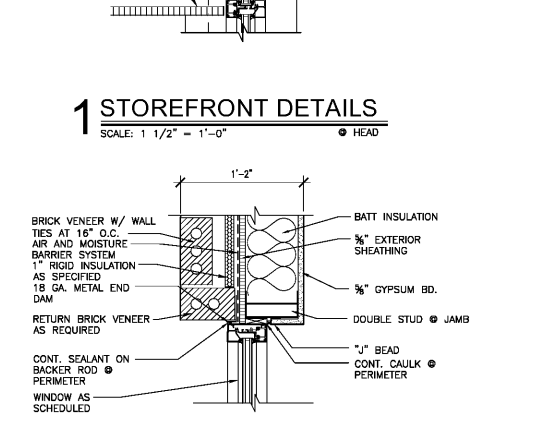
13 STOREFRONT DETAILS
SCALE: 1 1/2" = 1'-0" JAMB



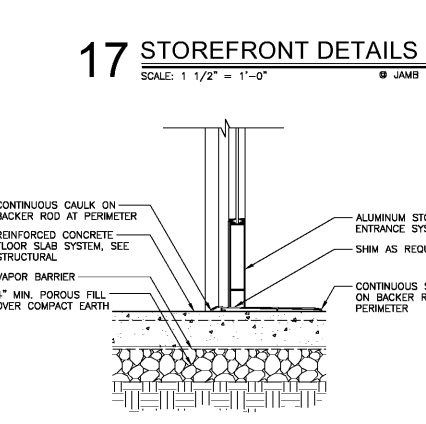
9 STOREFRONT DETAILS
SCALE: 1 1/2" = 1'-0" HEAD



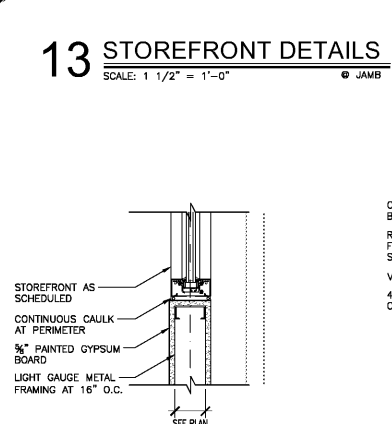
6 STOREFRONT DETAILS
SCALE: 1 1/2" = 1'-0" JAMB



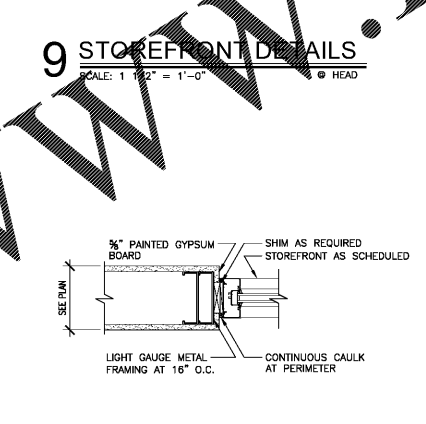
2 STOREFRONT DETAILS
SCALE: 1 1/2" = 1'-0" JAMB



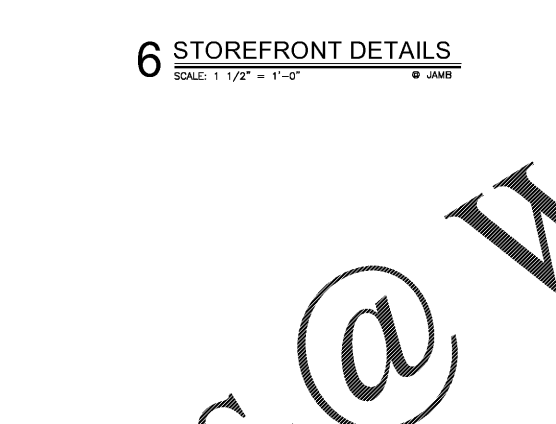
18 STOREFRONT DETAILS
SCALE: 1 1/2" = 1'-0" SILL



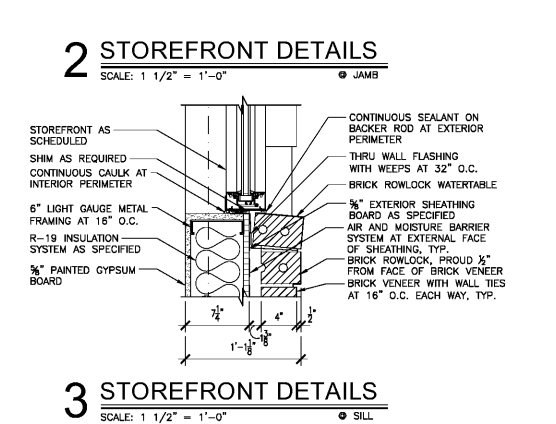
14 STOREFRONT DETAILS
SCALE: 1 1/2" = 1'-0" SILL



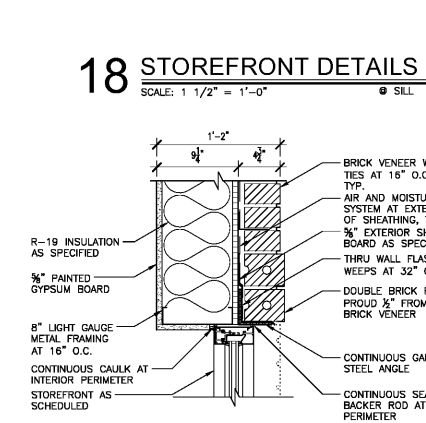
10 STOREFRONT DETAILS
SCALE: 1 1/2" = 1'-0" JAMB



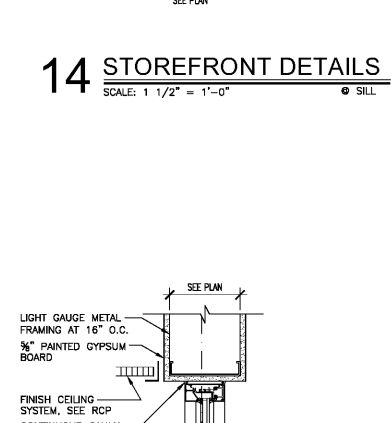
7 STOREFRONT DETAILS
SCALE: 1 1/2" = 1'-0" SILL



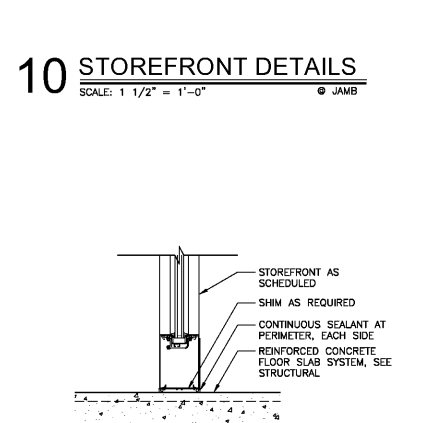
3 STOREFRONT DETAILS
SCALE: 1 1/2" = 1'-0" SILL



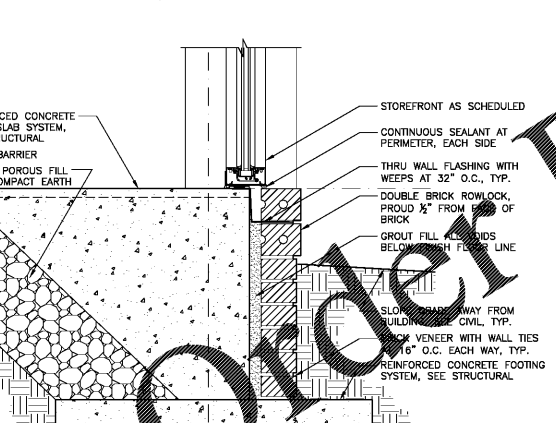
19 STOREFRONT DETAILS
SCALE: 1 1/2" = 1'-0" HEAD



15 STOREFRONT DETAILS
SCALE: 1 1/2" = 1'-0" HEAD



11 STOREFRONT DETAILS
SCALE: 1 1/2" = 1'-0" SILL



4 STOREFRONT DETAILS
SCALE: 1 1/2" = 1'-0" SILL

DOOR AND STOREFRONT LEGEND	
CSG	2" THICK CLEAR TEMPERED SAFETY GLASS
OR	ACCESS CONTROLS CARD READER
ISG	1/2" TINTED INSULATED LOW-E TEMPERED SAFETY GLASS AS SPECIFIED
SND	SOLID CORE WOOD DOOR
HMD	HOLLOW METAL DOOR
HMF	HOLLOW METAL FRAME
ASE	PREFINISHED ALUMINUM STOREFRONT ENTRANCE SYSTEM AS SPECIFIED
ASF	PREFINISHED ALUMINUM STOREFRONT FRAME SYSTEM AS SPECIFIED
SPSG	1/2" SPACER INSULATED TEMPERED SAFETY GLASS AS SPECIFIED
THO	TORNADO STORM SYSTEM WITH MECHANICAL HOLD OPENS

Order Plans @ WWW.LDOnline.com