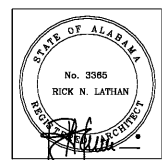




LATHAN ASSOCIATES
ARCHITECTS, P.C.
300 CHASE PARK SOUTH
SUITE 202 • HOUSTON, ALABAMA 35244
PH 205-988-9112 • FAX 205-988-9198

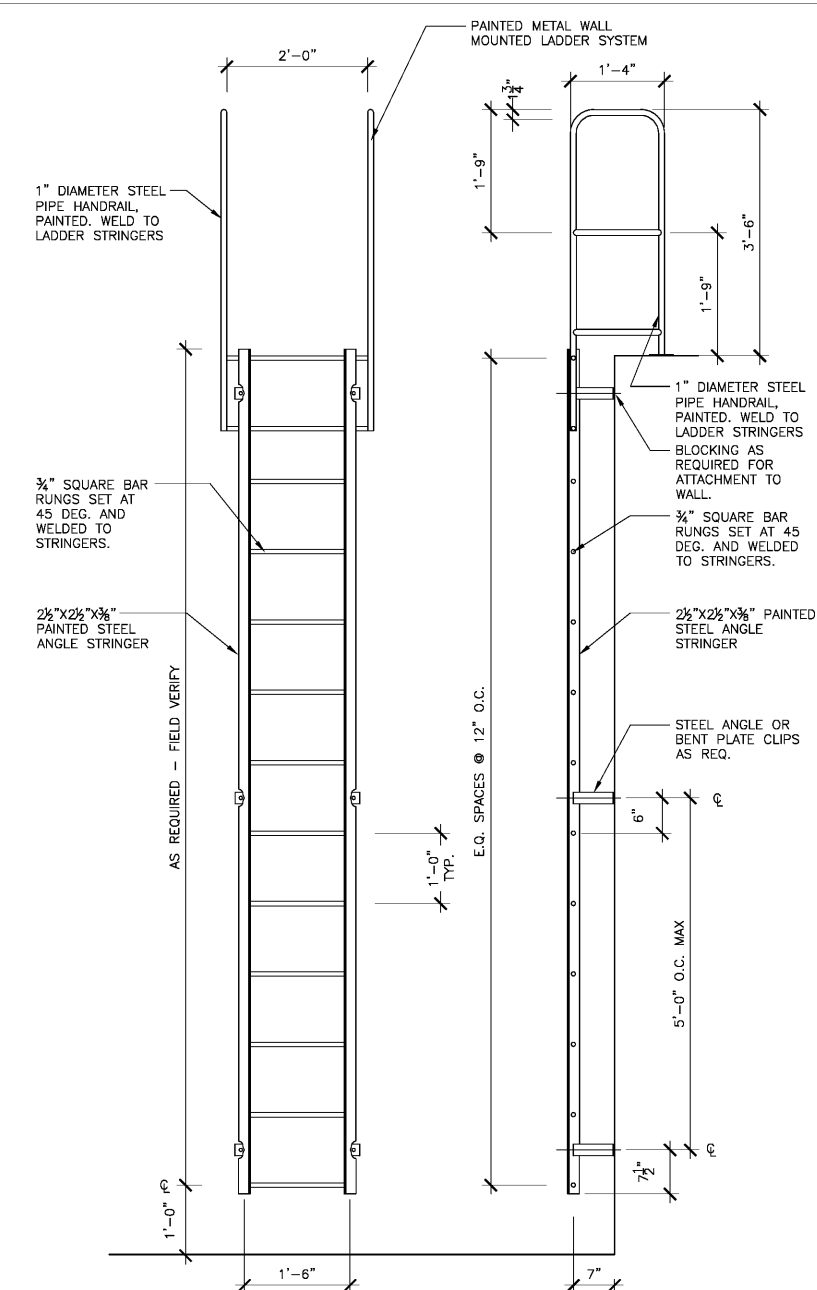
NEW PUBLIC LIBRARY
FOR THE CITY OF OPELIKA
GLENN STREET
OPELIKA, ALABAMA 36801



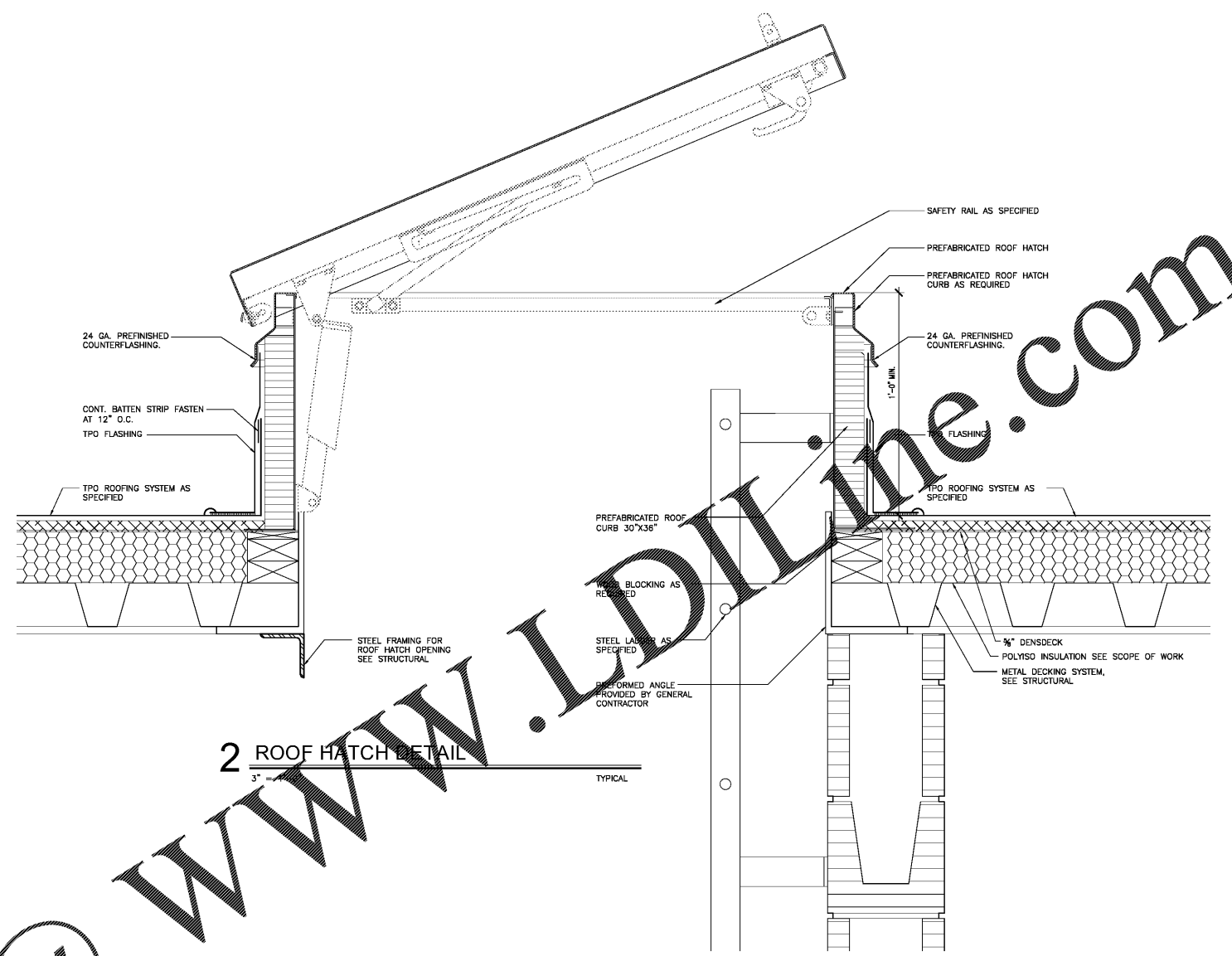
SHEET TITLE:
ROOF DETAILS

PROJ. MGR.: S. CALMA
DRAWN: S.W.
DATE: JUNE 01, 2020
CHECKED BY:
REVISIONS:

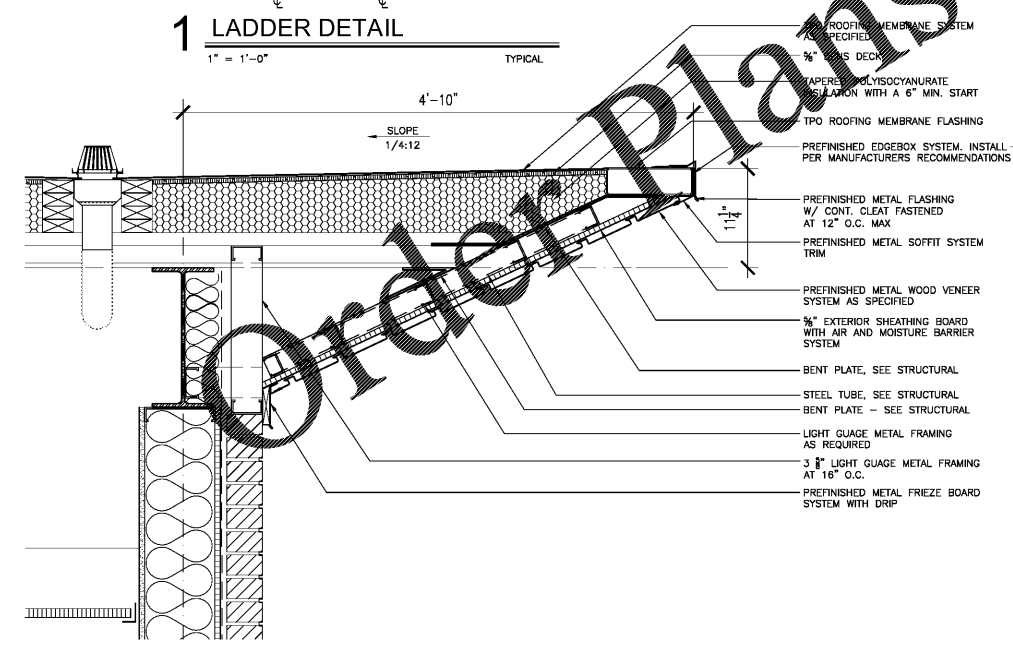
JOB NO. 19-32
SHEET NO.
A1.3.3
7 OF 37
SEQUENCE NO:
18 / 90



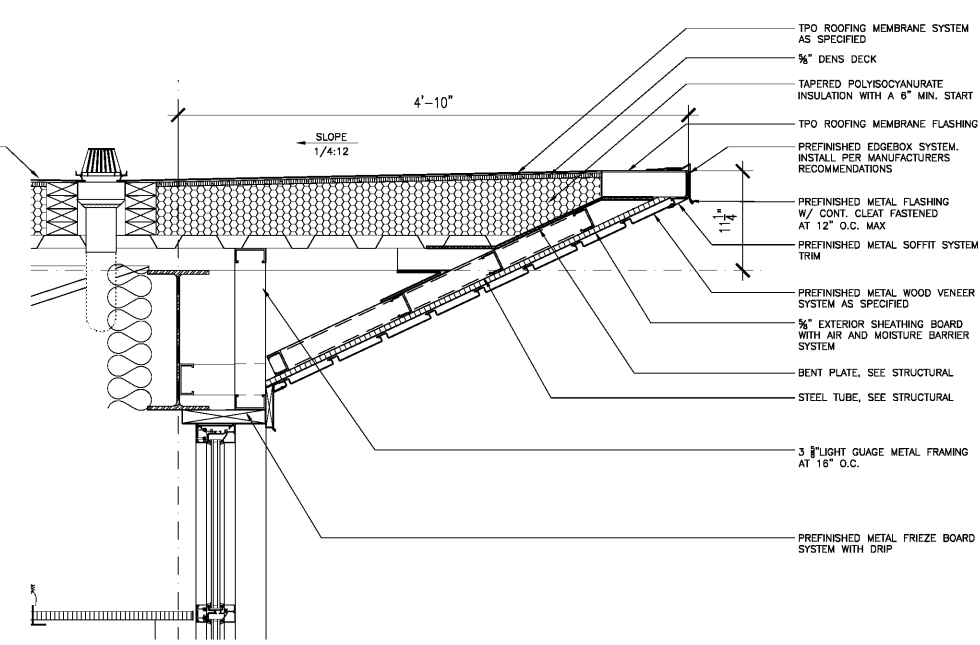
1 LADDER DETAIL
1" = 1'-0"



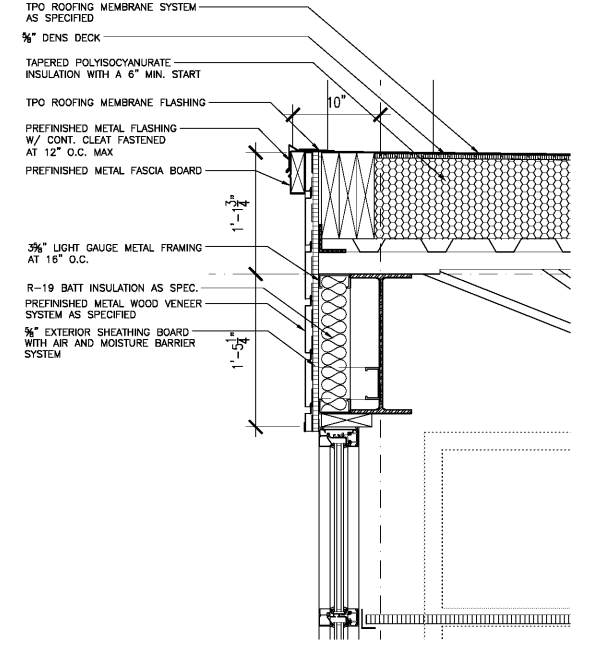
2 ROOF HATCH DETAIL
3" = 1'-0"



3 LOW ROOF DETAIL AT BRICK
1 1/2" = 1'-0"



4 LOW ROOF DETAIL AT STOREFRONT
1 1/2" = 1'-0"



5 LOW ROOF DETAIL AT PATIO
1 1/2" = 1'-0"