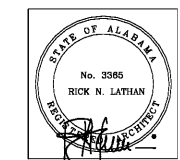


GENERAL SITE PLAN LEGEND	
	NEW ASPHALT PAVING SYSTEM, SEE CIVIL
	NEW CONCRETE SIDEWALK/PAVING SYSTEM, SEE CIVIL
	NEW SOD
	NEW SEED AND STRAW AT ALL DISTURBED AREAS
	AREA OF NEW BUILDING CONSTRUCTION
	AREA TO BE LANDSCAPED

LATHAN ASSOCIATES ARCHITECTS, P.C.
 300 CHASE PARK SOUTH
 SUITE 202 - HOUSTON, ALABAMA 35244
 P. 205-988-9112 F. 205-988-9186

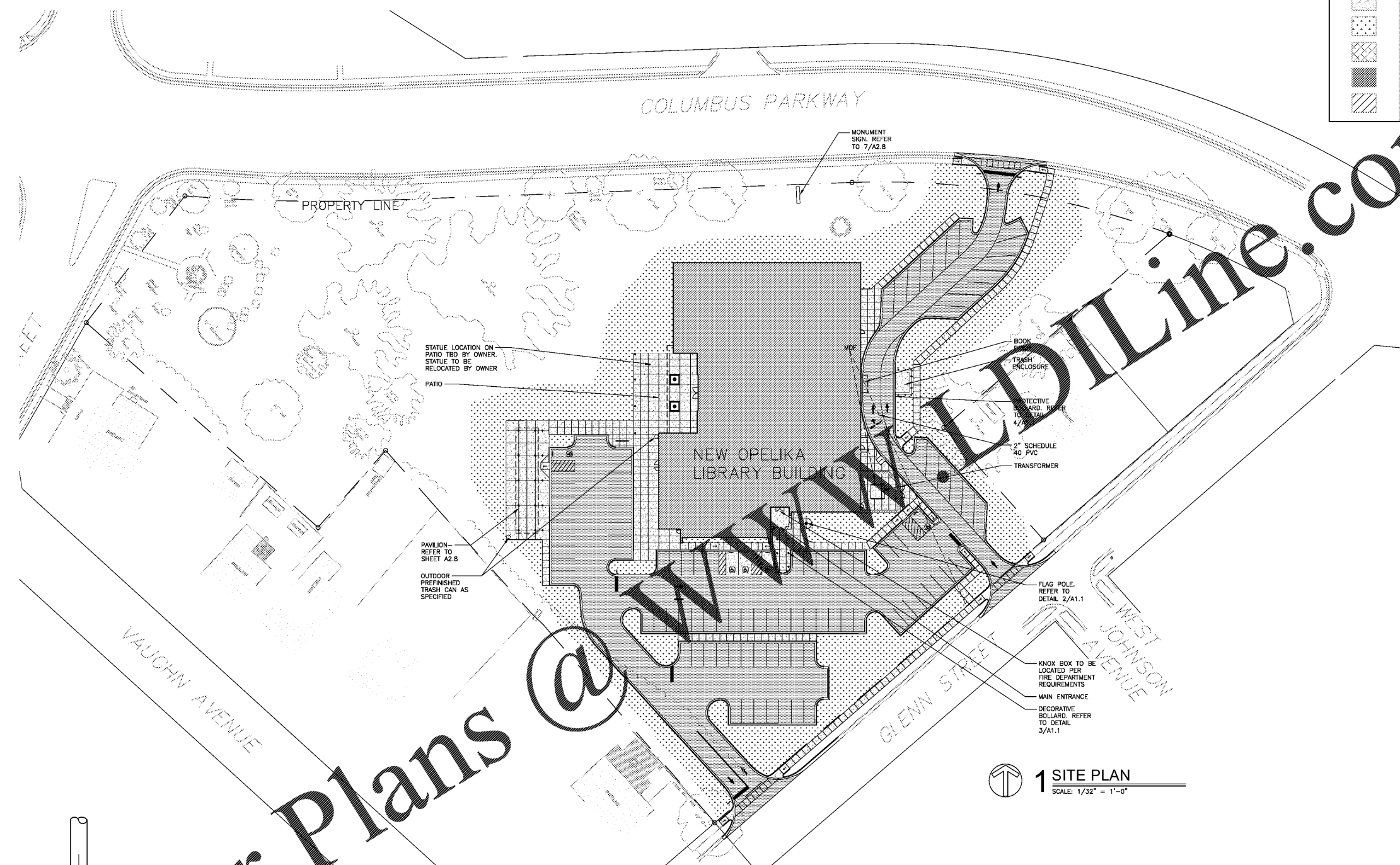
NEW PUBLIC LIBRARY FOR THE CITY OF OPELIKA
 GLENN STREET
 OPELIKA, ALABAMA 36801



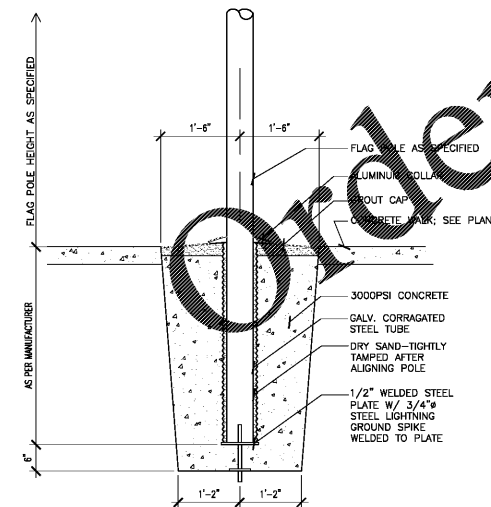
SHEET TITLE:
 ARCHITECTURAL SITE PLAN

PROJ. MGR.: S. CALMA
 DRAWN: TSS
 DATE: JUNE 01, 2020
 CHECKED BY:
 REVISIONS:

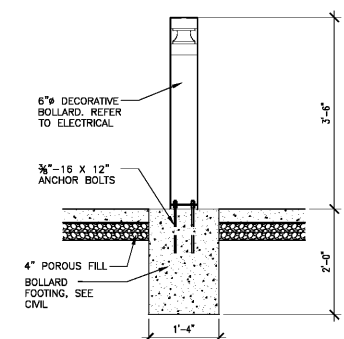
JOB NO. 19-32
 SHEET NO.
A1.1
 2 OF 37
 SEQUENCE NO:
 13 / 90



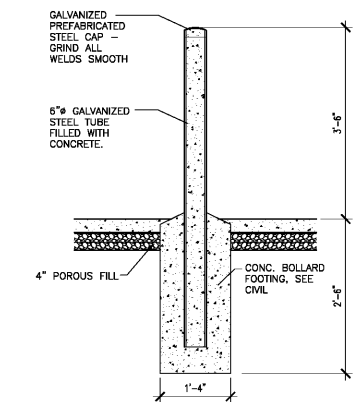
1 SITE PLAN
 SCALE: 1/32" = 1'-0"



2 FLAG POLE DETAIL
 N.T.S.



3 DECORATIVE BOLLARD DETAIL
 SCALE: 3/4" = 1'-0"



4 PROTECTIVE BOLLARD DETAIL
 SCALE: 3/4" = 1'-0"