

THRUST AT FITTINGS IN POUNDS*

| PIPE SIZE | 90° BEND | 45° BEND | 22.5° BEND | TEE OR FLUG |
|-----------|----------|----------|------------|-------------|
| 4" | 2,888 | 1,443 | 735 | 1,888 |
| 6" | 5,988 | 3,248 | 1,655 | 4,241 |
| 8" | 10,983 | 5,771 | 2,942 | 7,540 |
| 10" | 18,881 | 9,017 | 4,957 | 11,791 |
| 12" | 29,882 | 12,584 | 8,619 | 18,985 |
| 14" | 42,885 | 17,873 | 12,010 | 27,081 |
| 16" | 57,888 | 23,063 | 16,788 | 36,176 |
| 18" | 73,891 | 29,214 | 21,853 | 46,271 |
| 20" | 90,894 | 36,287 | 28,357 | 57,366 |
| 24" | 135,898 | 51,937 | 40,477 | 82,461 |

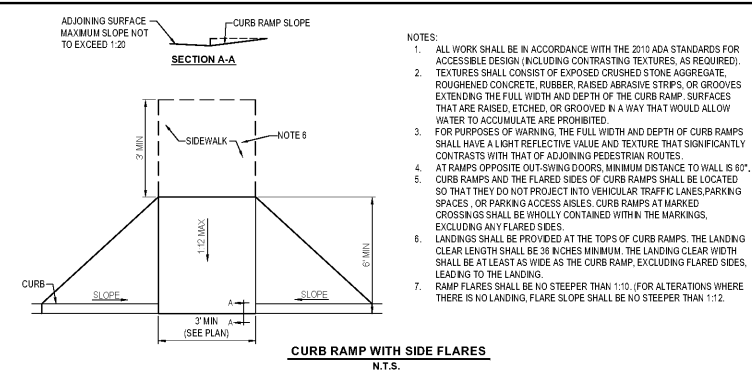
*BASED ON 150 PSI TEST PRESSURE

SOIL BEARING LOAD

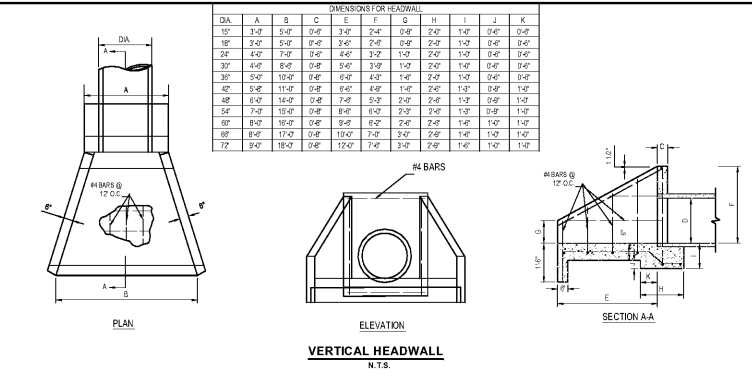
| SOIL | BEARING LOAD P.S.F. |
|------------|---------------------|
| MUCK | 0 |
| SOFT CLAY | 1,000 |
| SILT | 1,500 |
| SANDY SILT | 3,000 |
| SAND | 4,000 |
| SANDY CLAY | 6,000 |
| HARD PAN | 8,000 |

THRUST (AT FITTING) X 1.5
SOIL BEARING LOAD (AT FITTING)

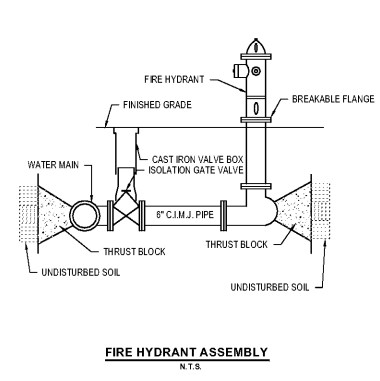
TYPICAL THRUST BLOCK
N.T.S.



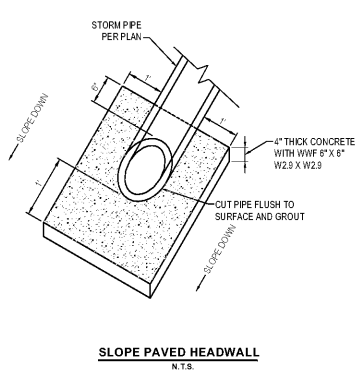
CURB RAMP WITH SIDE FLARES
N.T.S.



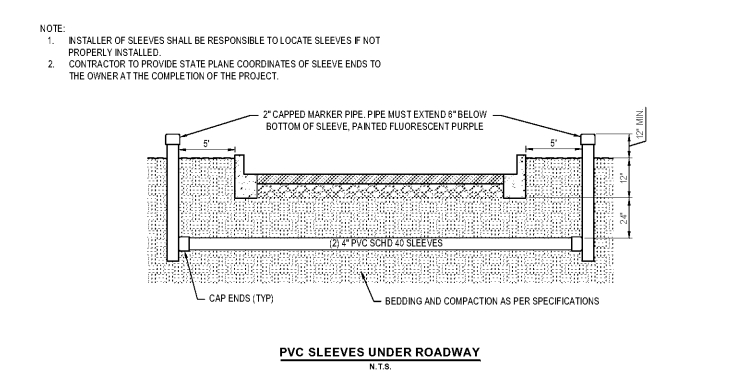
VERTICAL HEADWALL
N.T.S.



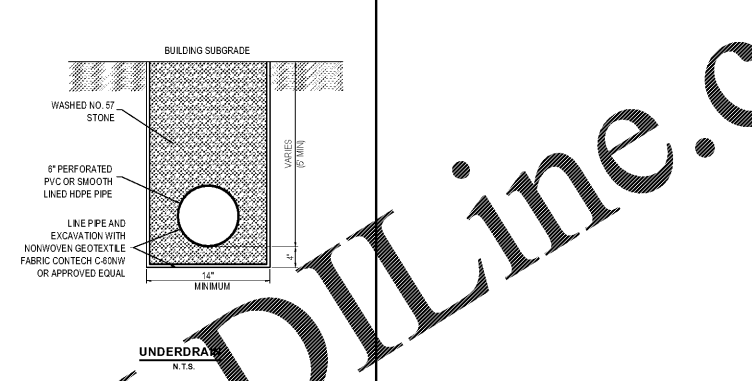
FIRE HYDRANT ASSEMBLY
N.T.S.



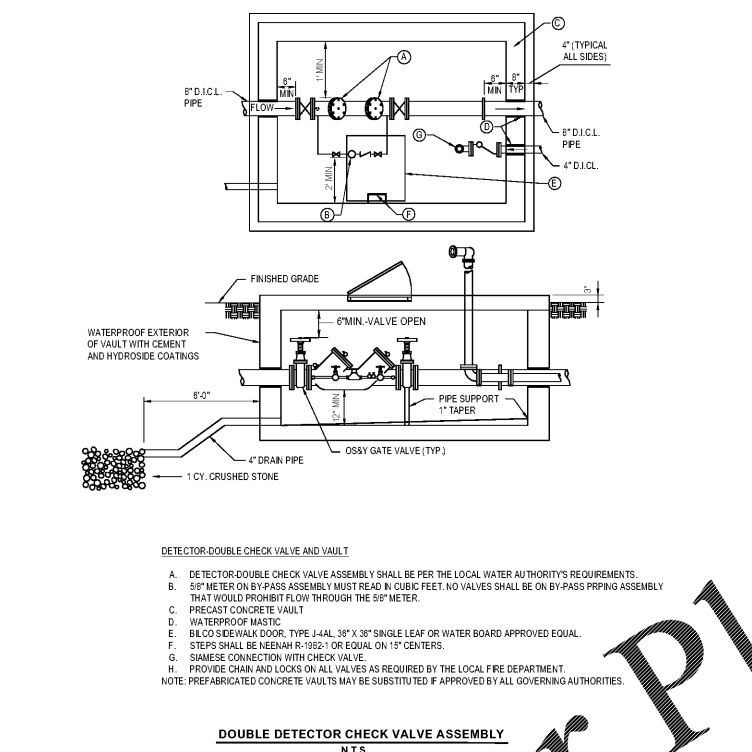
SLOPE PAVED HEADWALL
N.T.S.



PVC SLEEVES UNDER ROADWAY
N.T.S.

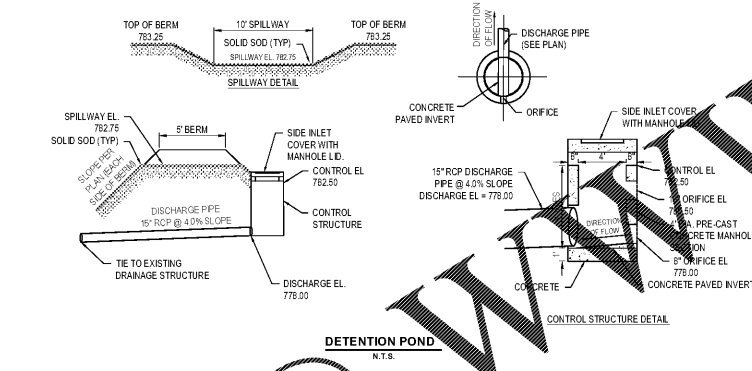


UNDERDRAIN
N.T.S.



DOUBLE DETECTOR CHECK VALVE ASSEMBLY
N.T.S.

- DETECTOR-DOUBLE CHECK VALVE AND VAULT**
- DETECTOR-DOUBLE CHECK VALVE ASSEMBLY SHALL BE PER THE LOCAL WATER AUTHORITY'S REQUIREMENTS.
 - 5\"/>

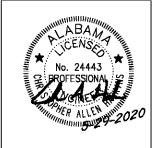


DETENTION POND
N.T.S.

Order Plans @



NEW LIBRARY FOR THE CITY OF OPELIKA
GLENN STREET
OPELIKA, ALABAMA 36801



SHEET TITLE:
CIVIL DETAILS

PROJ. MGR.: CAH
DRAWN: TGB
DATE: JUNE 1, 2020
CHECKED BY: RAN
REVISIONS:

JOB NO. 19-32
SHEET NO. C8.1
10 OF 11
SEQUENCE NO. 11/90

