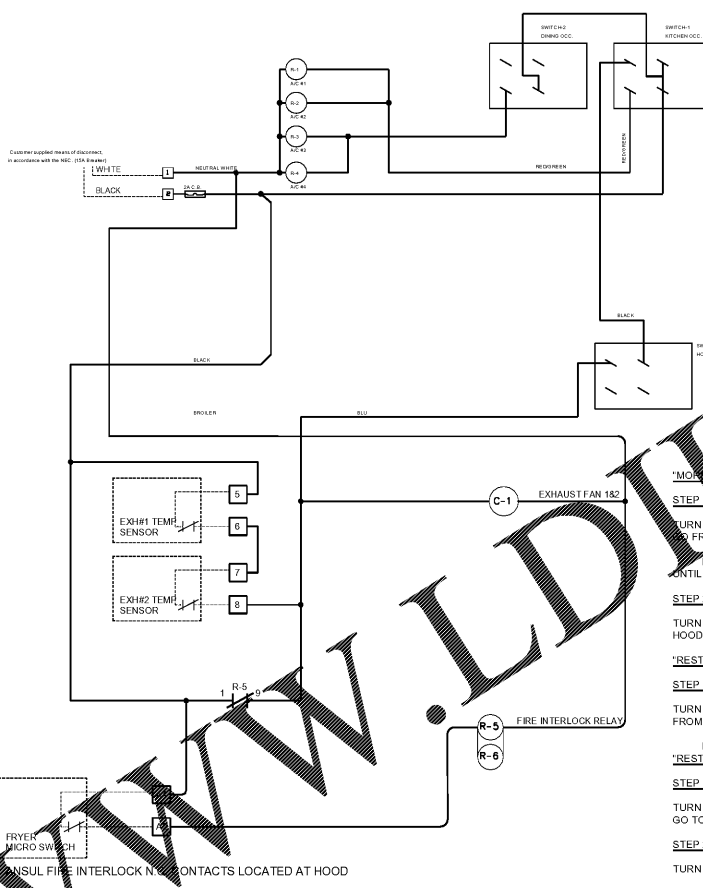


ON-OFF CONTROL PANEL WIRING



N-C-A
CONSULTANTS/GROUP
NATIONAL CORPORATE ACCOUNT SERVICES, INC.

DRAWINGS SHOWN ARE FOR PROTOTYPICAL CONSIDERATIONS ONLY. SITE-SPECIFIC DESIGN IS REQUIRED BY POPEYES LOUISIANA KITCHEN. AS A COURTESY, NCA CONSULTANTS PROVIDES SITE-SPECIFIC DESIGN WITH SITE-SPECIFIC PROFESSIONAL ENGINEER SEAL UNDER AN AGREEMENT BETWEEN NCA CONSULTANTS AND POPEYES LOUISIANA KITCHEN.

FOR SITE-SPECIFIC DESIGN, ARCHITECTS EMAIL REFLECTED CEILING PLAN, ELEVATIONS, KITCHEN PLANS, FLOOR PLAN, AND ROOF STRUCTURAL PLAN TO DESIGN@NCACONSULTANTS.COM

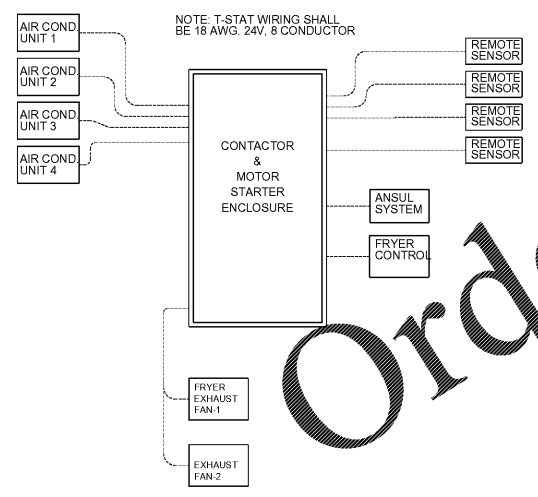
TO CONTACT THE DESIGN DEPARTMENT BY PHONE, CALL TOLL-FREE (877) 530-0078.

DESCRIPTION	DATE	BY
PROTOTYPE USE ONLY		
UPDATED		

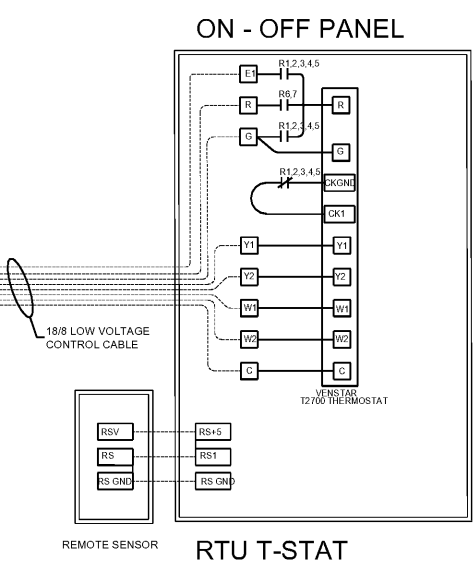
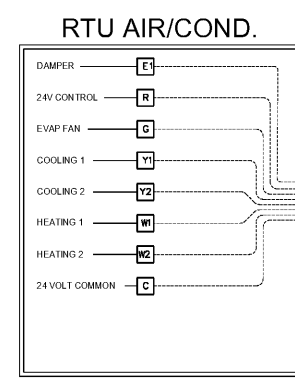
NOT FOR CONSTRUCTION

PANEL LAYOUT

PANEL SCHEMATIC DIAGRAMS



CONTROL RISER DIAGRAM



LOW VOLTAGE CONTROL WIRING
ONE AIR CONDITIONING SYSTEM SHOWN

NOTE:
ELECTRICAL CONTRACTOR OR HVAC SHALL ORDER THE HVAC CONTROL PANEL BY CALLING MARKETING AT NCA TOLL-FREE (877) 530-0078

NOTE:
THE CONTROL PANEL SHALL BE COMPLETE WHEN SHIPPED TO THE JOB SITE. NO INTERNAL WIRING SHALL BE REQUIRED. MAKE ALL EXTERNAL WIRING CONNECTIONS AS REQUIRED.

ELECTRICAL CONTRACTOR NOTES:

1. RUN ONE (1) CONDUCTOR 18 GAUGE THERMOSTAT CABLE FROM EACH ROOF TOP AIR CONDITIONING UNIT TO THE CONTROL PANEL.
2. RUN ONE (3) CONDUCTOR 18 GAUGE THERMOSTAT CABLE FROM THE CONTROL PANEL TO EACH REMOTE SENSOR LOCATION.
3. RUN ONE (1) CONDUCTOR 18 GAUGE THERMOSTAT CABLE FROM EACH SMOKE DETECTOR TO THE ATTENDANT AUDIO-VISUAL ANNUNCIATOR.
4. TERMINATION OF ALL 24 VOLT AIR CONDITIONING CONTROL WIRING SHALL BE DONE BY THE MECHANICAL CONTRACTOR.

© Copyright 2011- Drawings, specifications, notes, database, computer files, field data, and reports as instruments of service prepared by the Design of Record. As instruments of services, these items remain the property of the Design of Record, who shall retain all statutory and other reserved rights, including the copyright thereto. Any use, reproduction or changes to these documents without written consent of NCA Consultants is a violation of federal copyright laws.



SHULTZ ENGINEERING GROUP
212 N. McDowell St, Suite 204
Charlotte, NC 28204
(P) 704.334.7363 (F) 704.347.0093
www.shultzeg.com | SEG - 20-078
NC FIRM LICENSE NUMBER: C-0898

Architrave GROUP PC
Suite 107
107 Broad Street
Philadelphia, PA 19102
Phone (215) 252-2007 Fax (215) 252-2009
JOSE C. SHULTZ, RA - NJ 018145
PA 144052528 VA 018282 NC 1270100016 MD 10607

POPEYES
1702 RALEIGH ROAD PKY NW
WILSON, NORTH CAROLINA
LOUISIANA KITCHEN PLK DESIGN STANDARDS
83 SEATS / DUAL-LINE PRODUCTION/ PLK1717-DL



POPEYES

REVISIONS

ISSUED FOR REFERENCE ONLY

NCA CONTROL PANEL

E2a

DATE: 3/11/2020
PROJECT NO: G20-05
CHECKED: RR