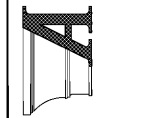
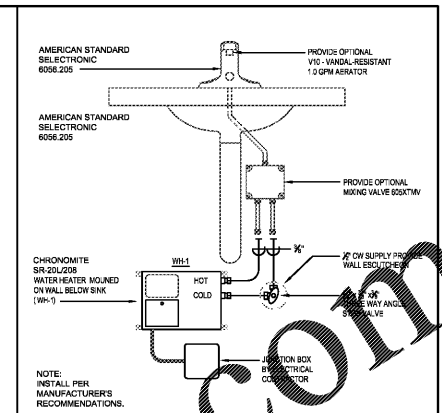
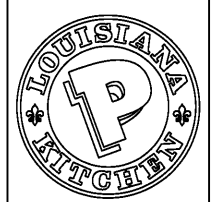


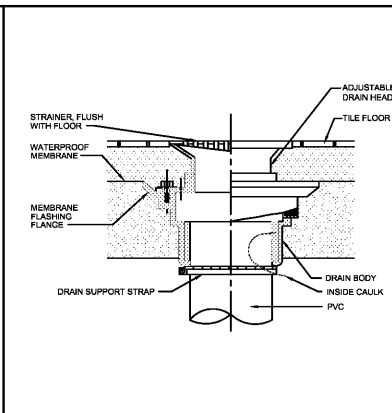
Architrave GROUP PC
127 Broad Street
Suite 107
Phone (732) 212-0007 Fax (732) 212-0059
JOSE C. SANTOS, P.E. N.J. A18745
PA 14405289 NC 1276
VA 019522 MD 18897
VA 019522 NC 52685 SF 100815



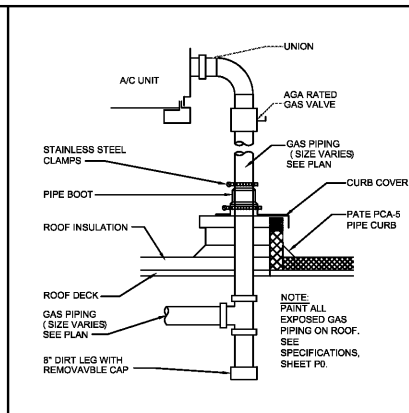
POPEYES
1702 RALEIGH ROAD PKY NW
WILSON, NORTH CAROLINA
LOUISIANA KITCHEN PLK DESIGN STANDARDS
85 SEATS / DUAL-LINE PRODUCTION/ PLK1771-DL



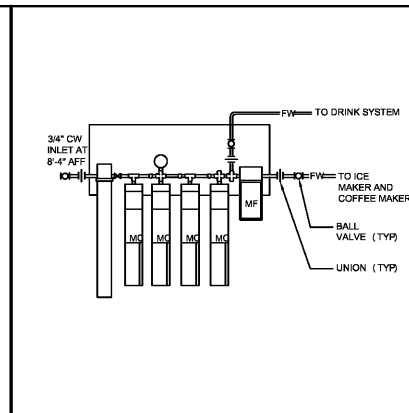
5 POINT OF USE WATER HEATER SCHEMATIC (WH-2)
P4 NO SCALE



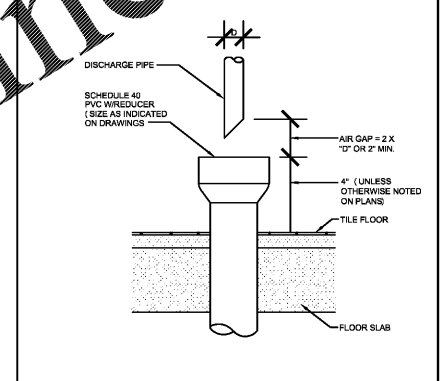
4 FLOOR DRAIN
P4 NO SCALE



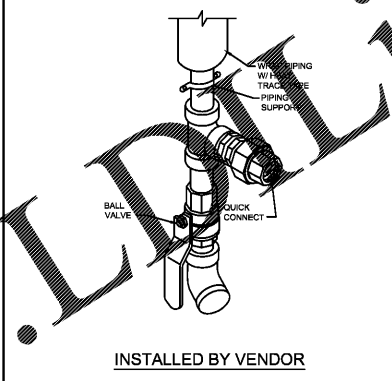
3 GAS AT A/C UNIT
P4 NO SCALE



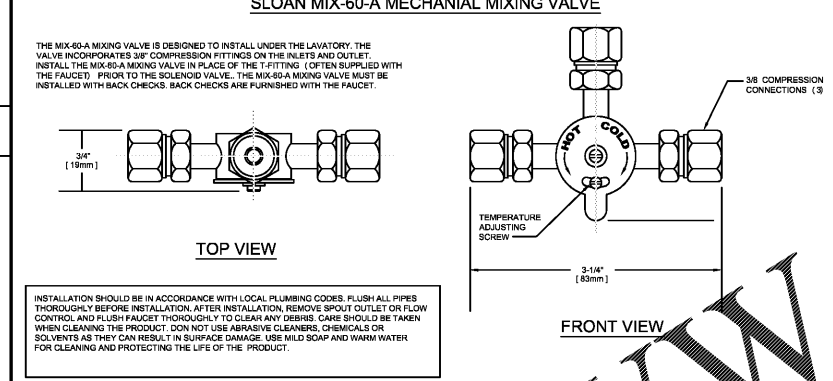
2 WATER FILTER / SCHEMATIC HOOK-UP
P4 NO SCALE



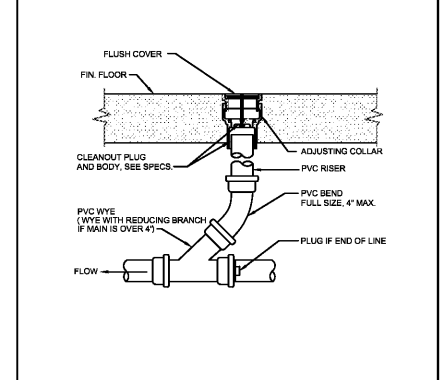
8 HUB DRAIN
P4 NO SCALE



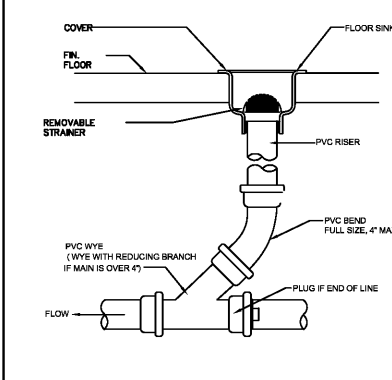
7 GREASE RECOVERY CONNECTION
P4 NO SCALE



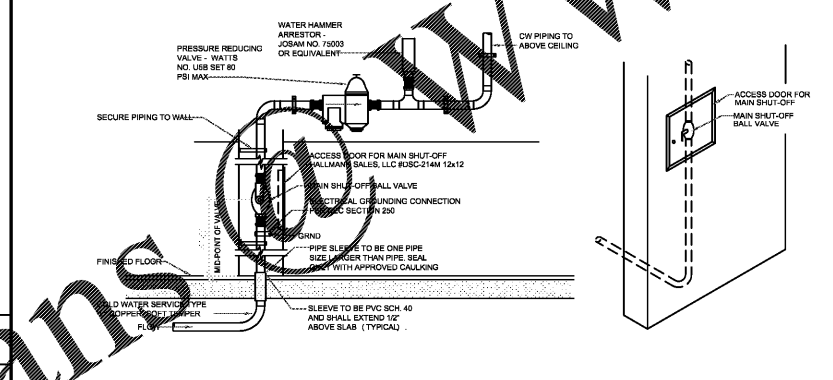
6 POINT OF USE MIXING VALVE
P4 NO SCALE



11 FLOOR CLEAN-OUT
P4 NO SCALE



10 FLOOR SINK
P4 NO SCALE



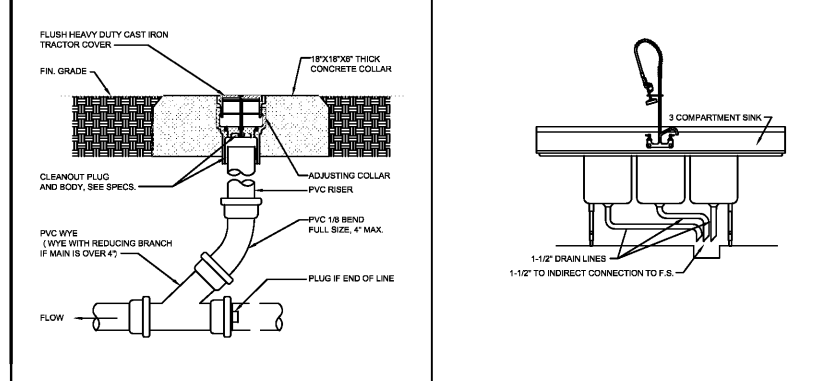
9 COLD WATER SERVICE CONNECTION
P4 NO SCALE



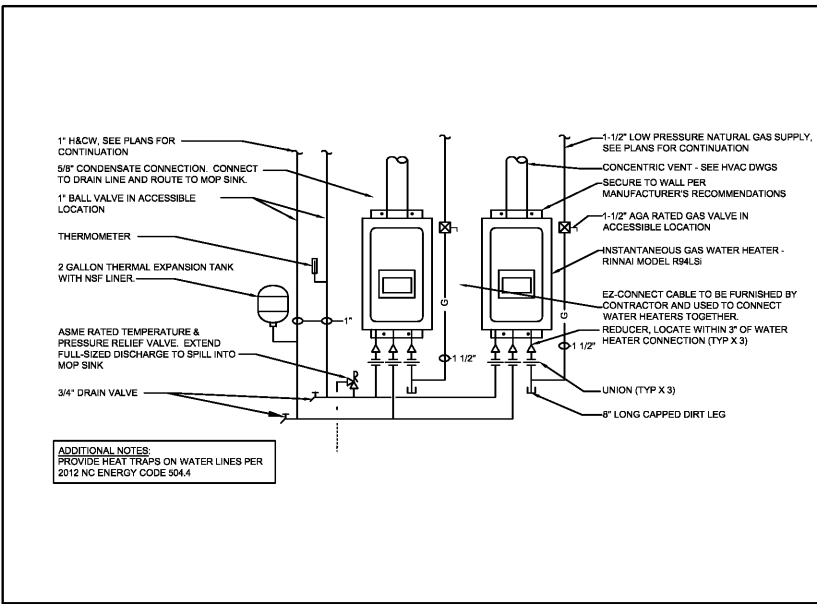
12 CHUBB UNIT DRAINAGE DETAIL
P4 NO SCALE



14 3 COMPARTMENT SINK
P4 NO SCALE



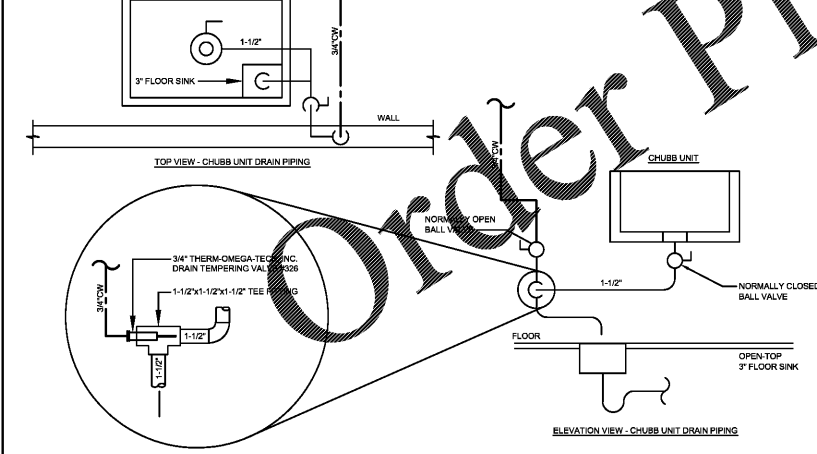
13 DETAIL OF GRADE CLEAN-OUT
P4 NO SCALE



1 INSTANTANEOUS WATER HEATERS (GWH-1 & GWH-2)
P4 NO SCALE



15 NOT USED
P4 NO SCALE



12 CHUBB UNIT DRAINAGE DETAIL
P4 NO SCALE

Order Plans @ www.LouisianaKitchen.com