

**ELECTRICAL CONTRACTOR NOTES:**

- RUN ONE (10) CONDUCTOR 18 GAUGE THERMOSTAT CABLE FROM THE ROOFTOP AIR CONDITIONING UNIT TO THE 'UNOCCUPIED-OCCUPIED' PANEL.
- RUN ONE (10) CONDUCTOR 18 GAUGE THERMOSTAT CABLE FROM THE 'UNOCCUPIED-OCCUPIED' PANEL TO THE THERMOSTAT LOCATION.
- RUN ONE (10) CONDUCTOR 18 GAUGE THERMOSTAT CABLE FROM THE ROOFTOP AIR CONDITIONING UNIT TO THE NIGHT SETBACK THERMOSTAT LOCATION, IF NOT CONTROLLED WITH P-374-T201 T-STAT REFER TO SHEET M-1.
- TERMINATION OF ALL 24 VOLT AIR CONDITIONING CONTROL WIRING SHALL BE DONE BY THE MECHANICAL CONTRACTOR.
- ELECTRICAL CONTRACTOR SHALL RUN LINE VOLTAGE FROM THE CURRENT SENSOR LOCATED IN THE BROILER HOOD EXHAUST FAN TO THE CONTROL PANEL LOCATED BY THE SWITCHGEAR.

**"MORNING ARRIVAL"**

**STEP 1**  
TURN THE KITCHEN UNOCCUPIED-OCCUPIED SWITCH TO THE OCCUPIED POSITION. THE KITCHENS AIR CONDITIONING SYSTEM WILL GO FROM NIGHT SETBACK MODE TO THE THERMOSTAT SET POINT.

**NOTE:** THE AIR CONDITIONING FAN WILL START AND RUN CONTINUOUSLY. EXHAUST FAN WILL NOT RUN UNTIL THE SWITCH IS IN THE OCCUPIED POSITION.

**STEP 2**  
TURN ON THE EXHAUST FAN SWITCH TO THE ON POSITION THIS WILL ALLOW YOU TO TURN ON THE FRIERS.

**"RESTAURANT OPEN FOR BUSINESS"**

**STEP 1**  
TURN THE DINING UNOCCUPIED-OCCUPIED SWITCH TO THE OCCUPIED POSITION. THE DINING AIR CONDITIONING SYSTEM WILL GO FROM NIGHT SETBACK MODE TO THE THERMOSTAT SET POINT.

**STEP 2**  
TURN THE SIGN AND PARKING LOT LIGHTING SWITCHES TO THE AUTO POSITION. THIS WILL ENGAGE THE LIGHTING PROTOCOLS SO THAT THE LIGHTS WILL AUTOMATICALLY COME ON AFTER DARK. TURN THE SWITCH TO THE ON POSITION TO OVER RIDE THE PROTOCOLS AT ANY TIME THE LIGHTING MUST REMAIN ON.

**"RESTAURANT CLOSE FOR BUSINESS"**

**STEP 1**  
TURN THE DINING UNOCCUPIED-OCCUPIED SWITCH TO THE UNOCCUPIED POSITION. THE DINING AIR CONDITIONING SYSTEM WILL GO FROM THE THERMOSTAT SET POINT TO THE NIGHT SET BACK MODE.

**STEP 2**  
TURN THE SIGN AND PARKING LOT LIGHTING SWITCHES TO THE OFF POSITION. THIS WILL DEENERGIZE THE LIGHTING PROTOCOLS.

**STEP 3**  
TURN THE EXHAUST FAN SWITCH TO THE OFF POSITION. THE UNDER HOOD COOKING EQUIPMENT WILL TURN OFF AND THE EXHAUST FAN WILL CONTINUE TO RUN FOR 15 MINUTES FOR A COOL DOWN CYCLE, AND THEN SHUT OFF AUTOMATICALLY.

**NOTE:** TO PREVENT ACCIDENTAL ANSUL DISCHARGE, ONE OF THE HOODS EXHAUST FANS WILL RUN 15 MINUTES AFTER THE EXHAUST FAN SWITCH IS TURNED TO THE OFF POSITION.

**"EMPLOYEES LEAVING THE BUILDING"**

**STEP 1**  
WHEN READY TO EXIT THE BUILDING PUSH THE SECURITY DEPARTURES SWITCH. THE PARKING LOT LIGHTS WILL COME BACK ON FOR 15 MINUTES THEN SHUT OFF AUTOMATICALLY.

**"MANAGER/LAST PERSON LEAVING THE BUILDING"**

**STEP 1**  
TURN THE KITCHEN UNOCCUPIED-OCCUPIED SWITCH TO THE UNOCCUPIED POSITION. THE KITCHENS AIR CONDITIONING SYSTEM WILL GO FROM THE THERMOSTAT SET POINT TO THE NIGHT SET BACK MODE.

**STEP 2**  
WHEN READY TO EXIT THE BUILDING PUSH THE SECURITY DEPARTURE SWITCH. THE PARKING LOT LIGHTS WILL COME BACK ON FOR 15 MINUTES THEN SHUT OFF AUTOMATICALLY.

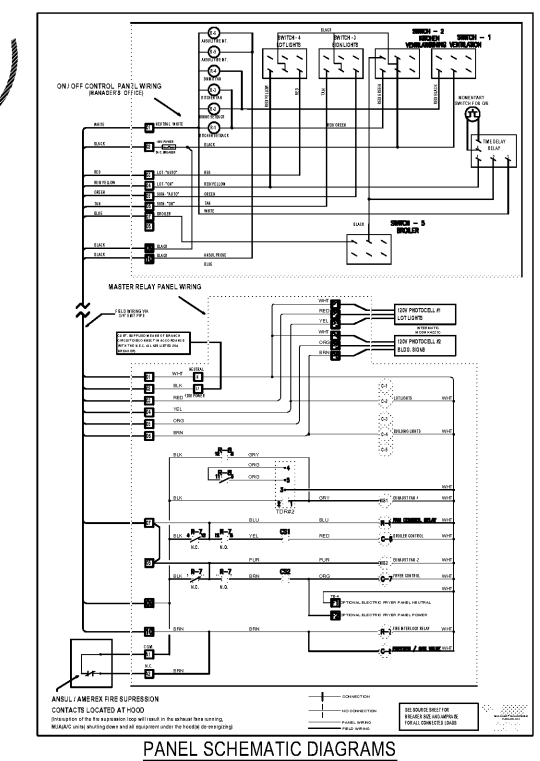
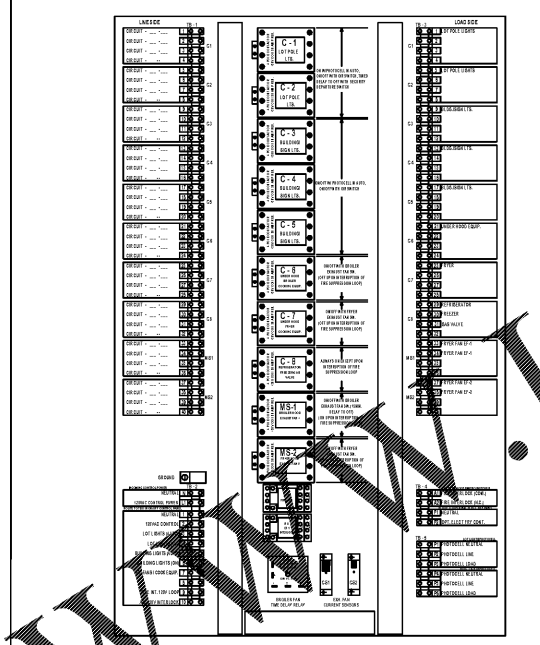
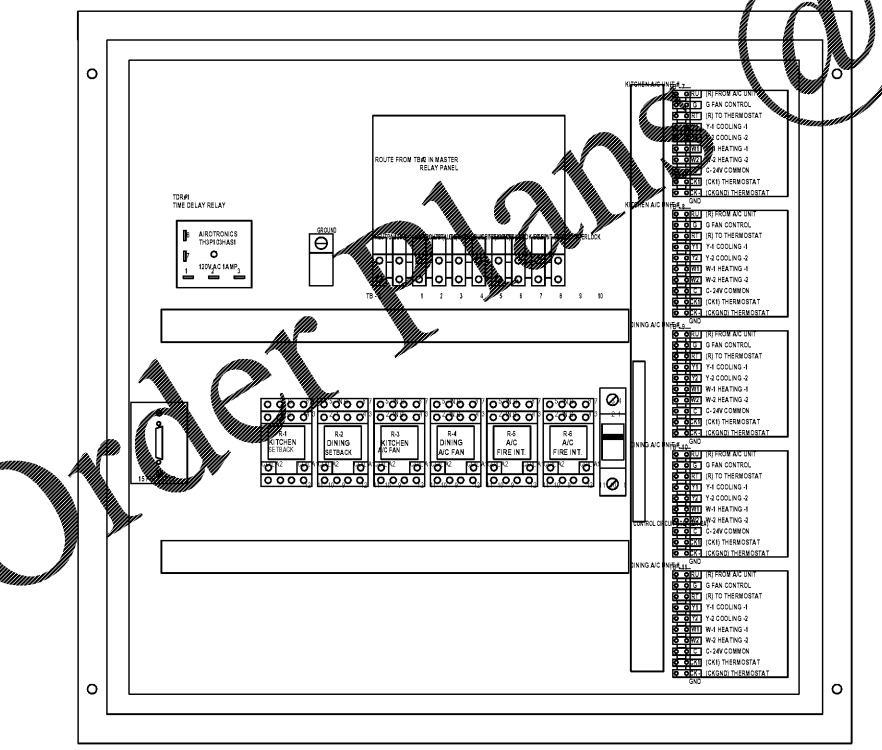
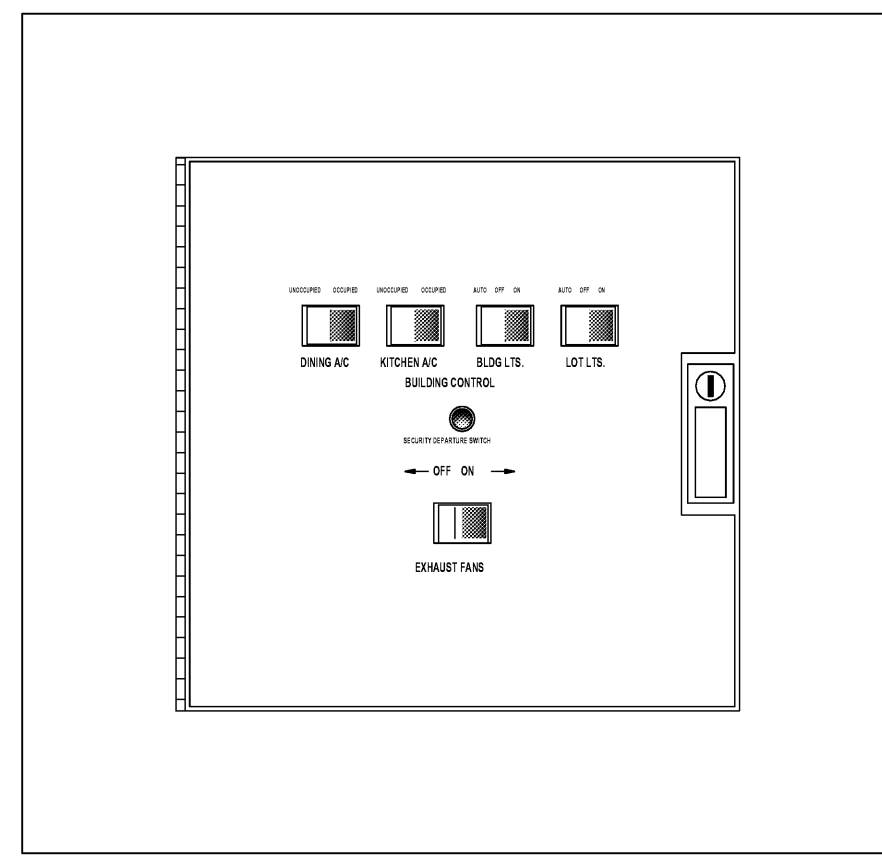
**"HOOD VENTILATION SYSTEM NOTE"**

WHEN THE HOOD EXHAUST FAN CURRENT SENSOR DETECTS A DROP IN AMPERAGE (SUCH AS A BELT BREAKING) IT WILL DISABLE THE LINE VOLTAGE TO THE COOKING EQUIPMENT UNDER THE HOOD. THE EXHAUST FAN SWITCH SHOULD BE PLACED IN THE OFF POSITION AND THE FAN SHOULD BE CHECKED AND/OR REPAIRED BEFORE TURNING THE SWITCH TO THE ON POSITION.

**"PARKING LOT LIGHTING NOTE"**

WHEN THE PARKING LOT LIGHTS ARE TURNED OFF, THEY MUST COOL DOWN FOR ABOUT 10 MINUTES BEFORE THEY WILL COME BACK ON.

**\*NOTE:** Current sensors are factory wired but must be sized adjusted for proper operation. With the hood exhaust fans running, split the potentiometer dials counterclockwise until the status "OFF" green LED lights and cooking equipment contactors de-energize. Then turn dials back clockwise one full turn. If the current sensors are in properly adjusted, cooking equipment may not shut off should a hood's exhaust fan fail. If the cooking equipment fails to operate while the hood switches are on and the exhaust fans are running, split the appropriate potentiometer dial clockwise until the status "ON" red LED lights.



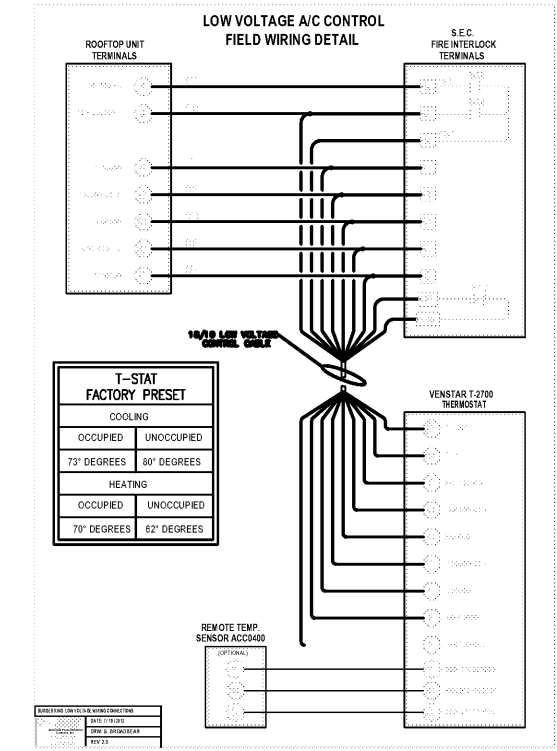
**POPEYES**  
**SEQUENCE OF OPERATION**

**MANUAL CONTROL SYSTEM**  
THE A/C UNITS UNOCCUPIED-OCCUPIED SWITCH IS USED TO TURN THE STORE ON IN THE MORNING AND OFF IN THE EVENING. WHEN A/C UNIT UNOCCUPIED-OCCUPIED SWITCH IS TURNED TO THE ON POSITION: THE AIR CONDITIONING SYSTEM WILL GO FROM NIGHT MODE TO SYSTEM ON. THE AIR CONDITIONING FANS WILL START AND RUN CONTINUOUSLY. THE OUTDOOR DAMPERS WILL OPEN TO A PRESET POSITION. (OPTIONAL) DAMPERS WILL NOT OPEN DURING NIGHT SET BACK MODE. (OPTIONAL) THE AIR CONDITIONERS WILL BEGIN TO COOL OR HEAT AT THE OCCUPIED TEMPERATURE SETPOINT. THE COOKING EQUIPMENT AND EXHAUST FANS CAN NOW BE TURNED ON WHEN NEEDED. WHEN A/C UNOCCUPIED-OCCUPIED SWITCH IS TURNED TO THE OFF POSITION: EXHAUST FANS, SUPPLY FANS, AND EVAPORATOR BLOWERS WILL SHUT DOWN. THE HEATING AND COOLING OPERATION SHALL REVERT TO SYSTEM NIGHT SET BACK MODE. THE COOKING EQUIPMENT SHALL BE DISABLED. THE SIGNAGE LIGHTING & LOT LIGHTING SHALL BE DISABLED IF SWITCHES ARE IN THE OFF POSITION. THE PARKING LOT POLE LIGHTS & SECURITY LIGHTS SHALL REMAIN ON 15 MIN AFTER THE SECURITY DEPARTURE SWITCH IS ACTIVATED. WHEN THE HOOD EXHAUST FAN CURRENT SENSOR DETECTS A DROP IN AMPERAGE IT WILL DISABLE THE LINE VOLTAGE TO THE COOKING EQUIPMENT UNDER THE HOOD.

**HOOD VENTILATION SYSTEM**  
WHEN A/C SWITCHES IN THE COOKING POSITION, THE HOOD VENTILATION SYSTEM CAN BE STARTED. THE UNDER HOOD EQUIPMENT SHALL BE STARTED BY MOVING THE EXHAUST FAN ON/OFF SWITCH TO THE ON POSITION. IF THE EXHAUST FAN SWITCH IS IN THE OFF POSITION, THE MAKEUP AIR UNIT (IF APPLICABLE) SHALL START AUTOMATICALLY. ACTIVATION OF THE HOOD SUPPRESSION SYSTEM SHALL DE-ENERGIZE THE MAKEUP AIR UNIT, ALL A/C UNITS, AND THE CONTROLLED LIGHTING EQUIPMENT. THE HOODS EXHAUST SYSTEM SHALL CONTINUE TO OPERATE TO DRAW OUT SMOKE. THE FIRE SUPPRESSION SYSTEM SHALL BE MANUALLY RESET.

**EXTERIOR LIGHTING CONTROL**  
ALL OF THE EXTERIOR LIGHTING SHALL BE CONTROLLED, WITH THE EXCEPTION OF THE SECURITY LIGHTS WHICH SHALL BE OPERATED BY ITS OWN PHOTOCELL. SECURITY LIGHTING IS OPTIONAL. THE SIGNAGE SELECTOR SWITCH (3-POS) CONTROLS THE PRIME SIGN, ALL MARQUEE SIGNS, AND BUILDING ACCENT LIGHTING. ON POSITION: LIGHTING SHALL BE ON PERMANENTLY. OFF POSITION: LIGHTING SHALL BE OFF PERMANENTLY. AUTO POSITION: LIGHTING SHALL BE CONTROLLED BY THE PHOTO CELL. THE LOT LIGHTS THREE POSITION SWITCH WORKS THE SAME AS THE SIGNAGE SWITCH.

**NOTE:** UNOCCUPIED-OCCUPIED / MASTER RELAY PANEL SHALL BE COMPLETE WHEN SHIPPED TO THE JOB SITE. NO INTERNAL WIRING SHALL BE REQUIRED. MAKE ALL EXTERNAL WIRING CONNECTIONS AS REQUIRED.



HVAC INTERLOCK PANEL (NFPA - 96 COMPLIANT) - "OPTIONAL"

