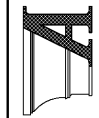
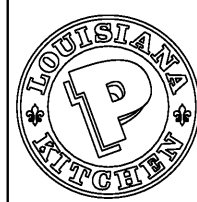


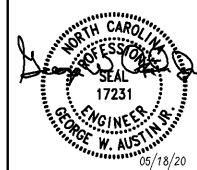
Architrave  
GROUP PC  
127 Broad Street  
Phone (732) 212-0007 Fax (732) 212-0059  
JOSE C. SANTOS, P.E. - NJ A18745  
PA 1840528 VA 018522 NC 1230  
MD 18897 VA 018522 NC 52865  
NCT 100815



POPEYES  
1702 RALEIGH ROAD PKY NW  
WILSON, NORTH CAROLINA  
LOUISIANA KITCHEN PLK DESIGN STANDARDS  
83 SEATS / DUAL-LINE PRODUCTION PLK1771-DL



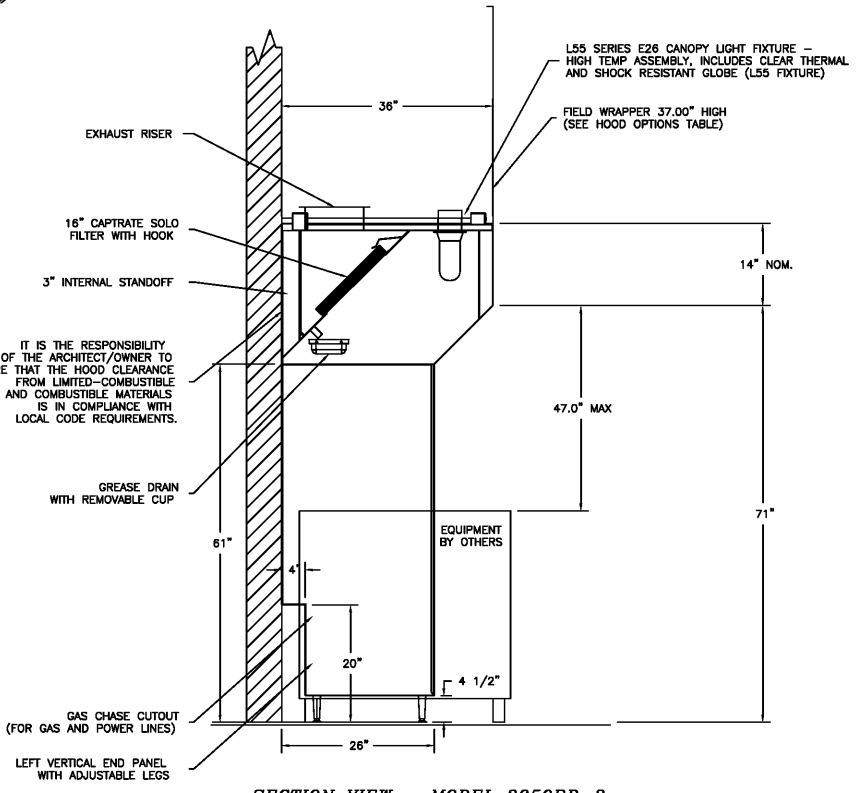
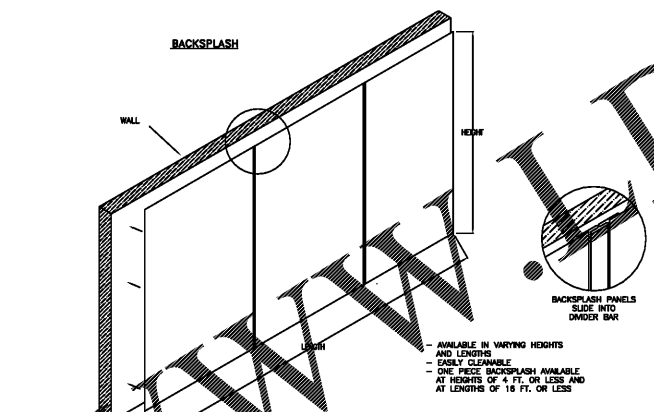
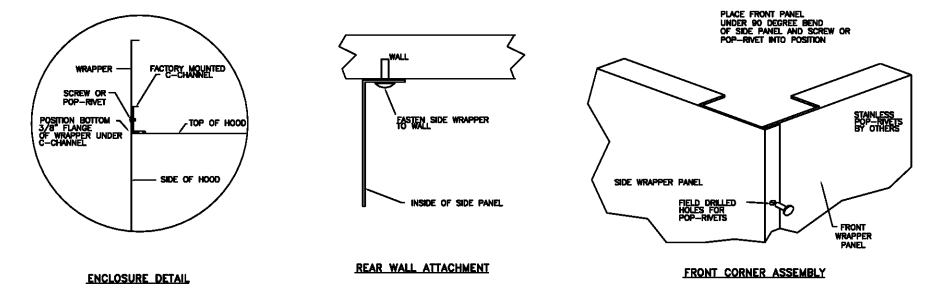
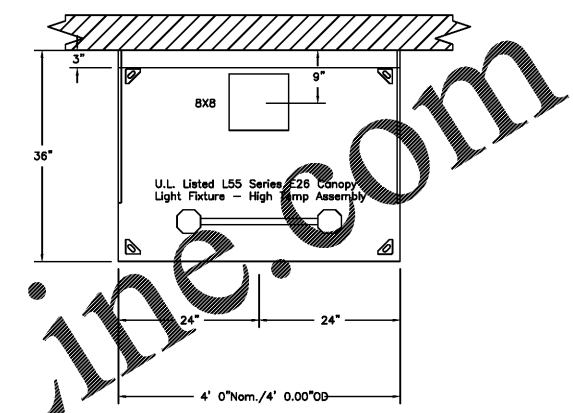
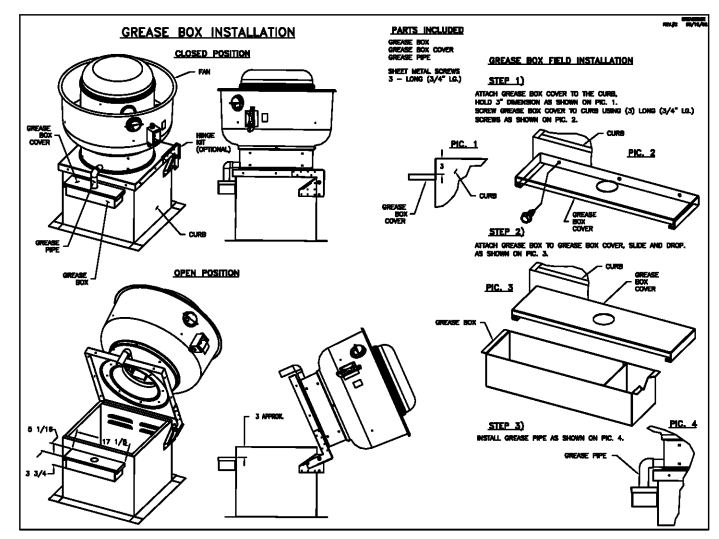
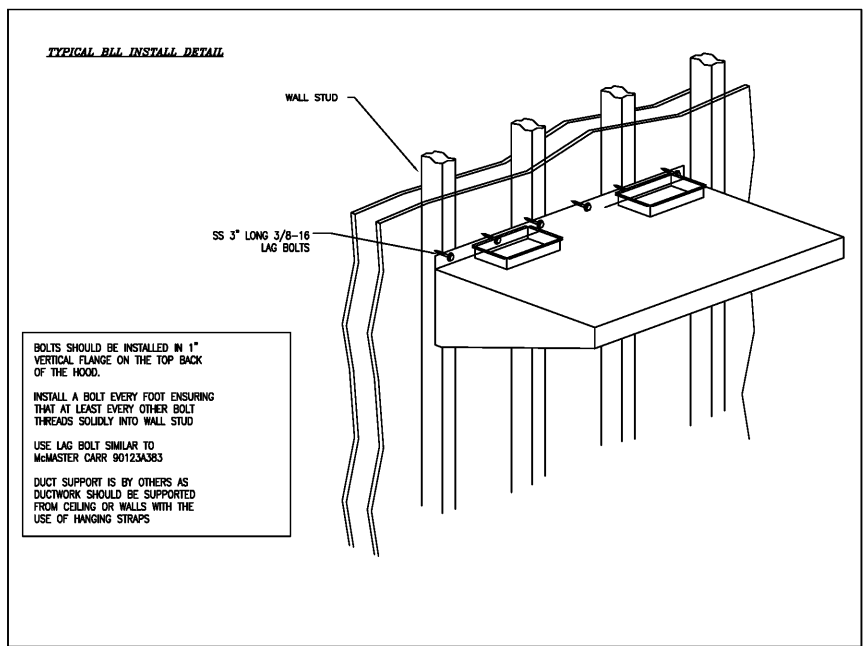
POPEYES



HOOD  
DETAILS

M6

DATE: 05/18/20  
PROJECT NO: G20-05  
CHECKED: JKS



**HOOD INFORMATION** Job#3274300

HOOD NO.	TAG	MODEL	LENGTH	MAX. OBTUSING DEG.	EXHAUST PLENUM						HOOD CONSTRUCTION			HOOD CONFIG.	
					TOTAL EXH. CFM	WIDTH	LENG.	HEIGHT	DIA.	CFM	VEL.	S.P.	END TO END	ROW	
1		3650BD-2	0"	60 Deg.	600			4"	10"	600	1100	-0.374"	430 SS Where Exposed	ALONE	ALONE

**HOOD INFORMATION**

HOOD NO.	TAG	TYPE	QTY.	HEIGHT	LENGTH	EFFICIENCY @ 7 MICRONS	QTY.	TYPE	WIRE GUARD	LOCATION	SIZE	UTILITY CABINET(S)			FIRE SYSTEM PIPING	HOOD HANGING WGT
												FIRE SYSTEM	ELECTRICAL	SWITCHES		
1		Captrate Solo Filter	2	16"	20"	85% See Filter Spec.	2	L55 Series E26	NO						NO	242 LBS

**HOOD OPTIONS**

HOOD NO.	TAG	OPTION
1		FIELD WRAPPER 37.00" High Front, Left, Right
		RIGHT QUARTER END PANEL 26" Top Width, 0" Bottom Width, 26" High 430 SS
		LEFT VERTICAL END PANEL 26" Top Width, 26" Bottom Width, 61" High Insulated 430 SS



**SHULTZ ENGINEERING GROUP**  
212 N. McDowell St, Suite 204  
Charlotte, NC 28204  
(P) 704.334.7363 (F) 704.347.0093  
www.shultzeg.com | SEG - 20-078  
NC FIRM LICENSE NUMBER: C-0898