

Architrave Group PC
1575 Peachtree Dunwoody Ave., Suite 100
Roswell, GA 30076
Phone: (770) 212-0007 Fax: (770) 212-0099
1000 Peachtree Dunwoody Ave., Suite 100
Atlanta, GA 30309
Phone: (404) 525-1000 Fax: (404) 525-1001

Architectural Seal:
JOHN S. ARCHITECT
12280
NORTH BANK
MEMPHIS, TN 38115

Architrave Group PC
1575 Peachtree Dunwoody Ave., Suite 100
Roswell, GA 30076
Phone: (770) 212-0007 Fax: (770) 212-0099
1000 Peachtree Dunwoody Ave., Suite 100
Atlanta, GA 30309
Phone: (404) 525-1000 Fax: (404) 525-1001

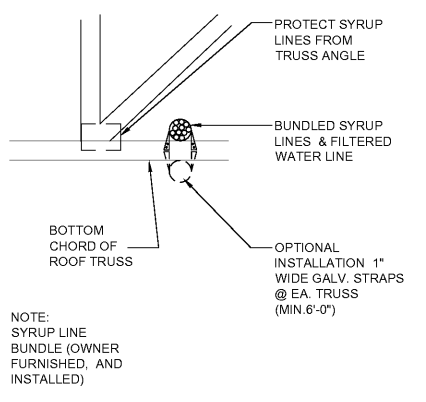
Architectural Seal:
JOHN S. ARCHITECT
12280
NORTH BANK
MEMPHIS, TN 38115

POPEYES
1702 RALEIGH ROAD PKY NW
WILSON, NORTH CAROLINA
LOUISIANA KITCHEN PLK DESIGN STANDARDS
83 SEATS / DUAL-LINE PRODUCTION/ PLK1771-DL

LOUISIANA KITCHEN

POPEYES

REVISIONS:



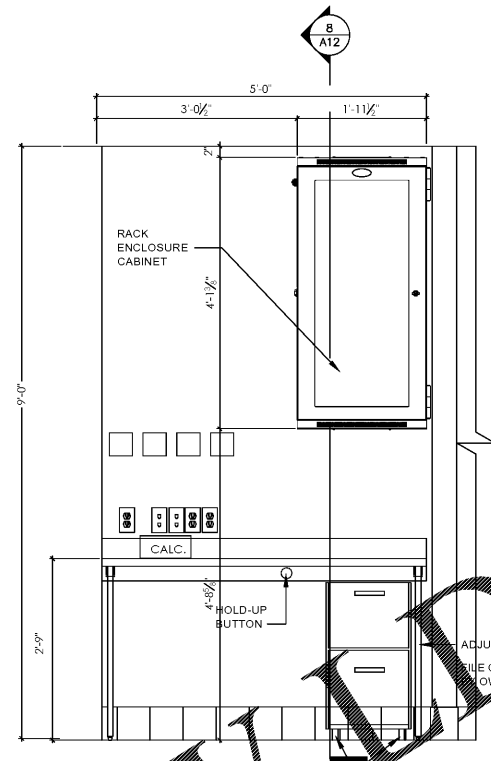
1 SYRUP LINES IN ATTIC SPACE
A16 3/4"=1'-0"

SRW26US / SRW26USG
SmartRack® Wall-Mount Rack Enclosure Cabinets

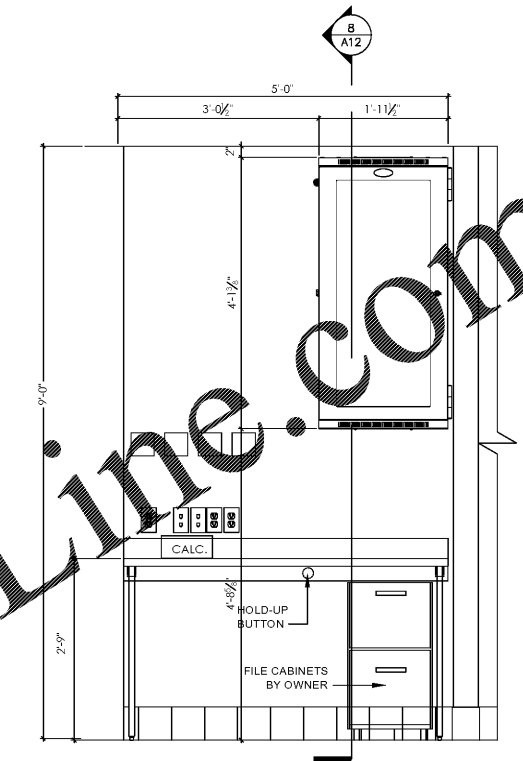
Specifications:

- Model: SRW26US / SRW26USG
- Material: 18 GA. S.S.
- Finish: 2B
- Weight: 111 lbs.
- Dimensions: 30" H x 26" W x 18" D

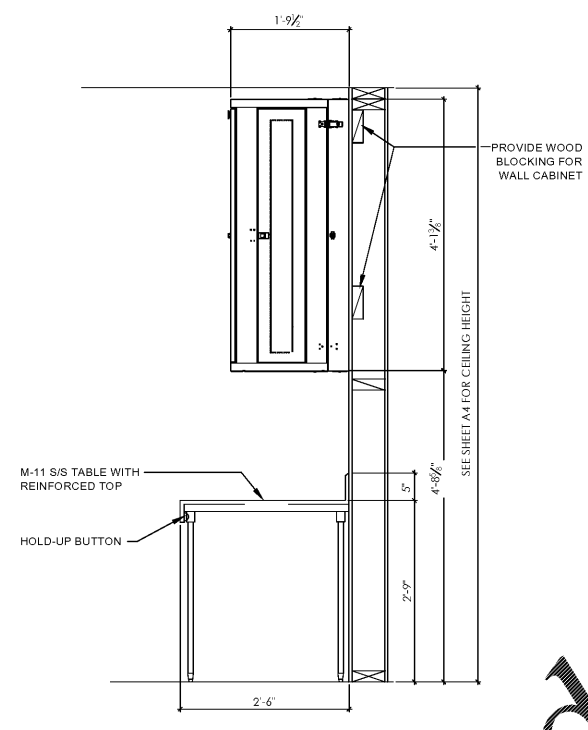
TRIPP-LITE
1111 W. 50th Street
Chicago, IL 60604
773.604.234
www.tripp-lite.com



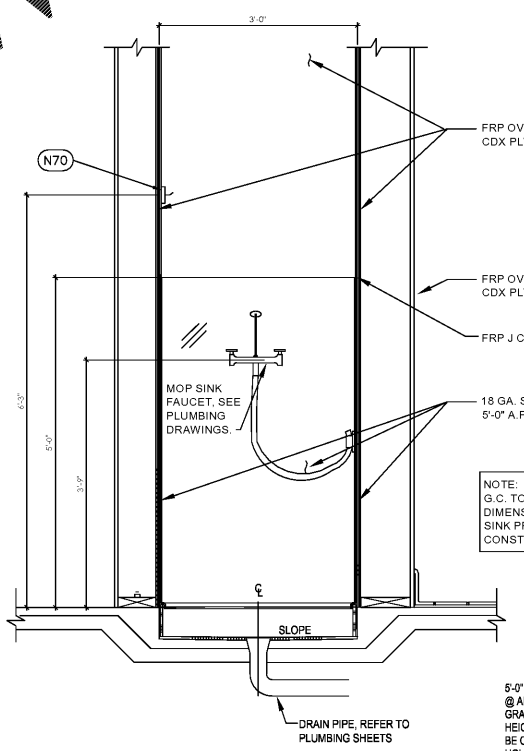
3 ELEVATION @ OFFICE, CABINET
A16 3/4"=1'-0"



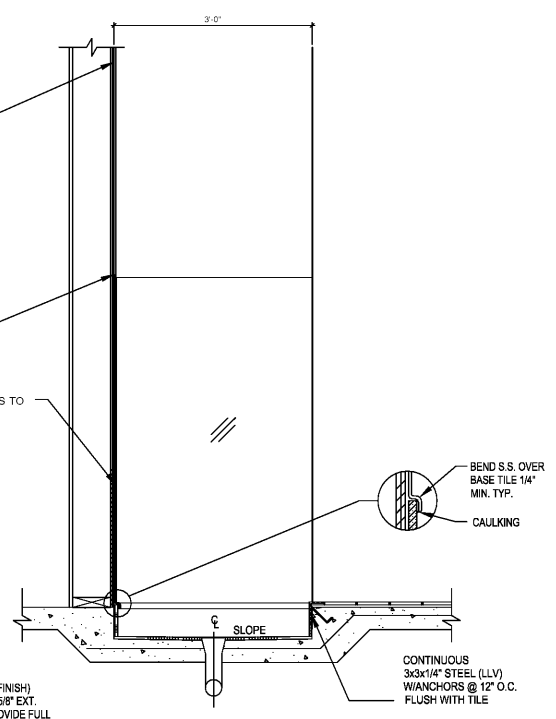
3 ELEVATION @ OFFICE
A16 3/4"=1'-0"



4 SECTION @ OFFICE
A16 3/4"=1'-0"



6 MOP SINK
A16 3/4"=1'-0"



7 MOP SINK
A16 3/4"=1'-0"

5'-0" HIGH 18 GA. S/S PANEL (2B FINISH) @ ALL CAN WASH WALLS OVER 5/8" EXT. GRADE (MARINE) PLYWOOD. PROVIDE FULL HEIGHT FRP ABOVE 5'-0" S/S PANELS TO BE ONE PIECE BENT @ CORNERS W/ DRILLED HOLES FOR FAUCET & VALVES PRIOR TO INSTALLATION. NO SEAMS ARE ACCEPTABLE. SILICONE CAULK @ EDGES FOR WATER TIGHT SEAL.

Order Plans @ WWW.A16Line.com