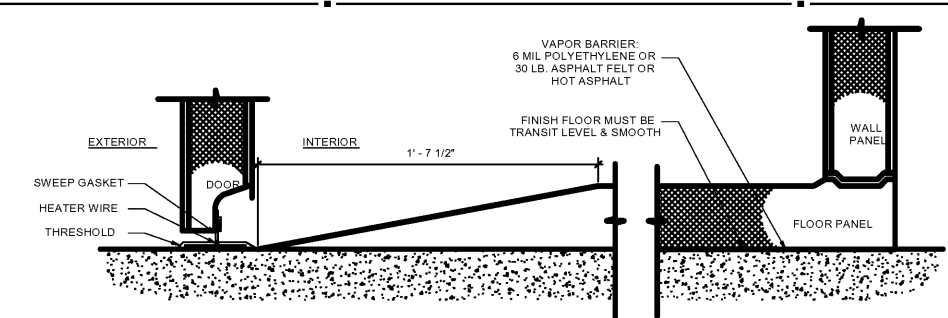
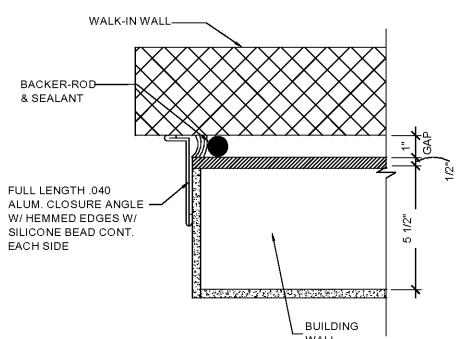


1 SECTION @ FRONT COUNTER
A14 3/4"=1'-0"



7 SECTION @ W.I.B. DOOR
A14 1-1/2"=1'-0"



8 FLASHING DETAIL @ W.I.B.
A14 3"=1'-0"

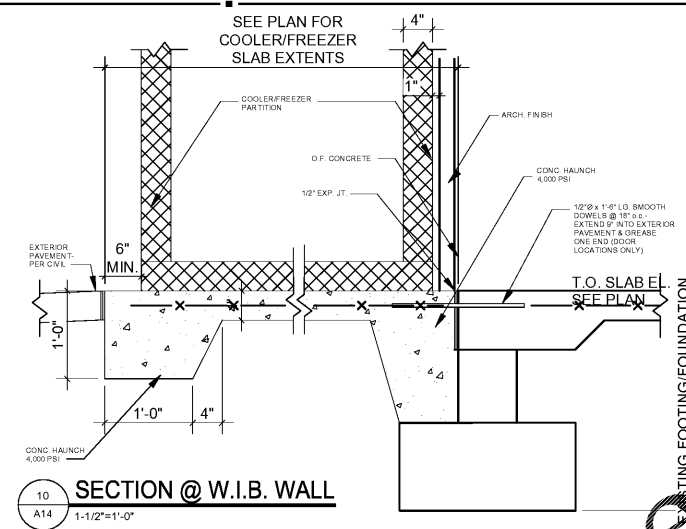
NOTE:
SEE SHEET S-1 FOR FOUNDATION DETAILS AND ADDITIONAL NOTES.
G.C. TO COMPLY WITH ALL W.I.B. MANUFACTURER RECOMMENDATIONS
FOR PREPARATION AND INSTALLATION OF W.I.B. SLAB.

COOLER REFRIGERATION SHALL BE SIZED TO MAINTAIN 34 DEG. F.
FREEZER REFRIGERATION SHALL BE SIZED TO MAINTAIN -10 DEG. F.
WALK-IN COOLER SHALL BE PROVIDED WITHOUT FLOOR. WALK-IN
FREEZER SHALL BE PROVIDED WITH 4" INSULATED FLOOR AND
INTERIOR RAMP AT DOOR.

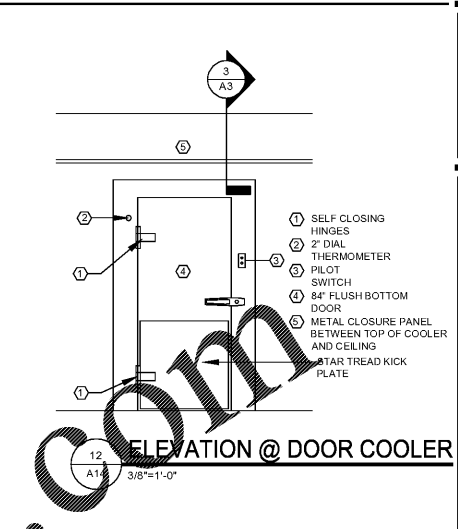
THE WALK-IN MANUFACTURER WILL PROVIDE:
1) THE WALK-IN COOLER & FREEZER
2) REFRIGERATION EQUIP. SIZED TO MEET POPEYES REQUIREMENTS,
FACTORY ASSEMBLED AND WITH LOW AMBIENT CONTROLS,
INCLUDING ALL WIRING, REFRIGERATION PIPING, W/ REMOTE
UNITS MOUNTED ON S.S. RAILS LOCATED ON THE ROOF, AND
READY FOR FINAL CONNECTION TO ALL NECESSARY UTILITIES.
3) DELIVERY OF THE BOXES
4) CONTRACTOR TO INSTALL WALK-IN BOX AND REFRIG.

IT SHALL BE THE RESPONSIBILITY OF THE G.C. TO CONTACT WALK-IN
BOX PROVIDER AND OBTAIN A COPY OF THE SHOP DRAWINGS FOR
THIS PROJECT PRIOR TO ROUGH IN OF UTILITIES. FAILURE TO OBTAIN
SHOP DRAWINGS PRIOR TO ROUGH IN WILL NOT RESULT IN EXTRA
CHARGES TO THE OWNER FOR RELOCATION OF UTILITIES.

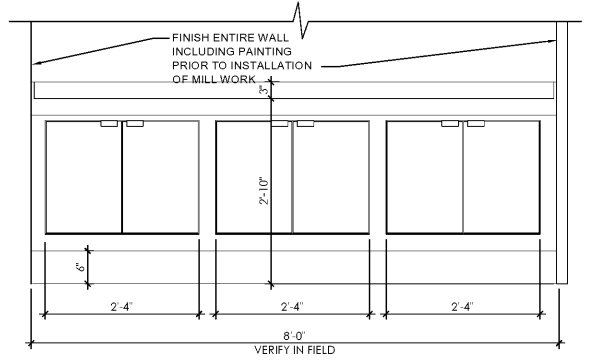
11 WALK IN BOX NOTES
A14



10 SECTION @ W.I.B. WALL
A14 1-1/2"=1'-0"

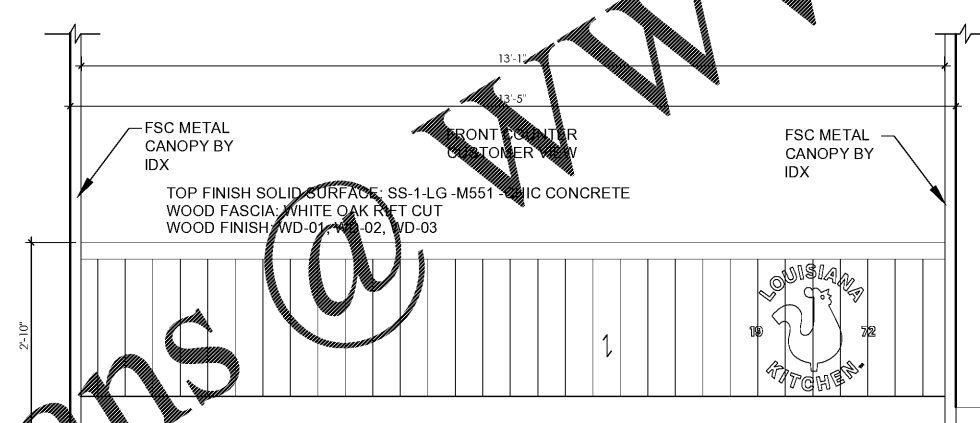


ELEVATION @ DOOR COOLER
A14 3/8"=1'-0"

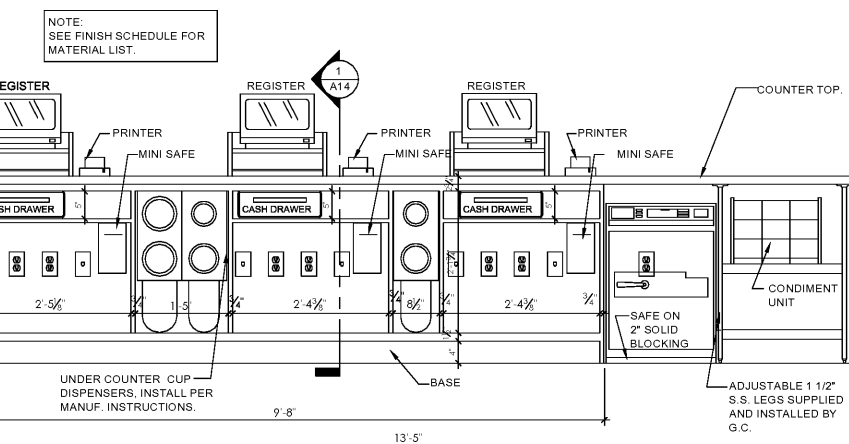


2 SELF-SERVE COUNTER ELEVATION
A14 3/4"=1'-0"

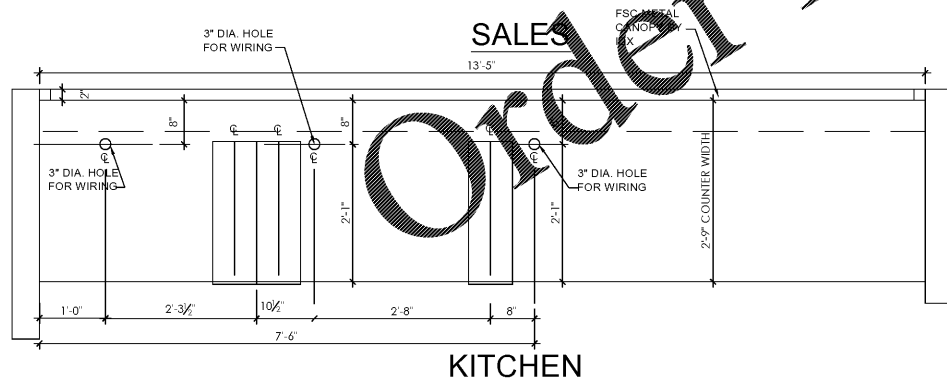
*SUPPLIED BY KITCHEN SUPPLIER
*SEE K3 DRAWING FOR BEVERAGE COUNTER AND ALTERNATE FREESTYLE CONFIGURATION



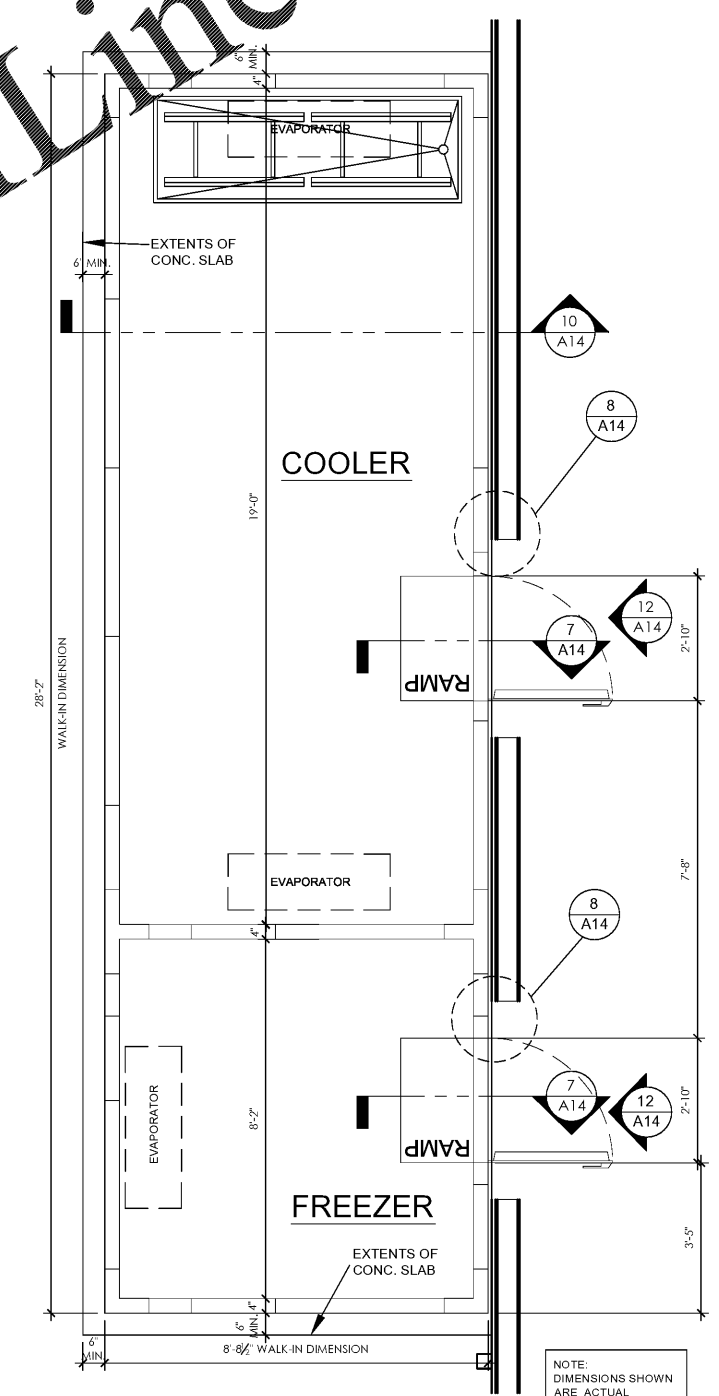
3 FRONT COUNTER ELEVATION
A14 3/4"=1'-0"



5 FRONT COUNTER REAR ELEVATION
A14 3/4"=1'-0"



4 FRONT COUNTER CUT-OUTS
A14 3/4"=1'-0"



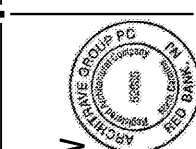
6 WALK IN FLOOR PLAN
A14 1/2"=1'-0"

NOTE:
DIMENSIONS SHOWN
ARE ACTUAL
DIMENSIONS

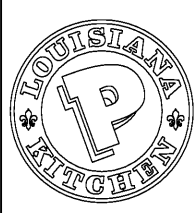
POPEYES
5015 BLUE LAGOON DRIVE
WALTON, FLORIDA 32824

THESE DRAWINGS ARE THE
PROPERTY OF
ARCHITECTURAL GROUP PC
AND SHALL NOT BE USED OR
REPRODUCED WITHOUT THE
EXPRESS WRITTEN PERMISSION
FROM THE OWNER.

Architrave
Group PC
1575 Blue Lagoon Drive
Wilton, FL 32824
Phone: (727) 212-0007 Fax: (727) 212-0099
1575 Blue Lagoon Drive, Suite 100
Wilton, FL 32824
Phone: (727) 212-0007 Fax: (727) 212-0099
1575 Blue Lagoon Drive, Suite 100
Wilton, FL 32824
Phone: (727) 212-0007 Fax: (727) 212-0099



POPEYES
1702 RALEIGH ROAD PKY NW
WILSON, NORTH CAROLINA
LOUISIANA KITCHEN PLK DESIGN STANDARDS
83 SEATS / DUAL-LINE PRODUCTION/PLK1771-DL



POPEYES

REVISIONS:

A14
COOLER & COUNTER SECTIONS
& DETAILS
DATE: 5/18/20
PROJECT NO: G20-05
CHECKED: JS