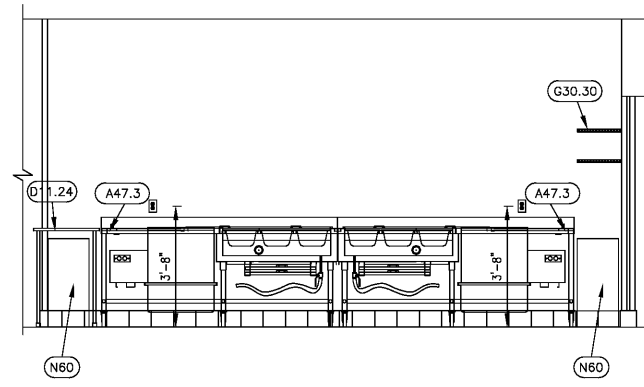
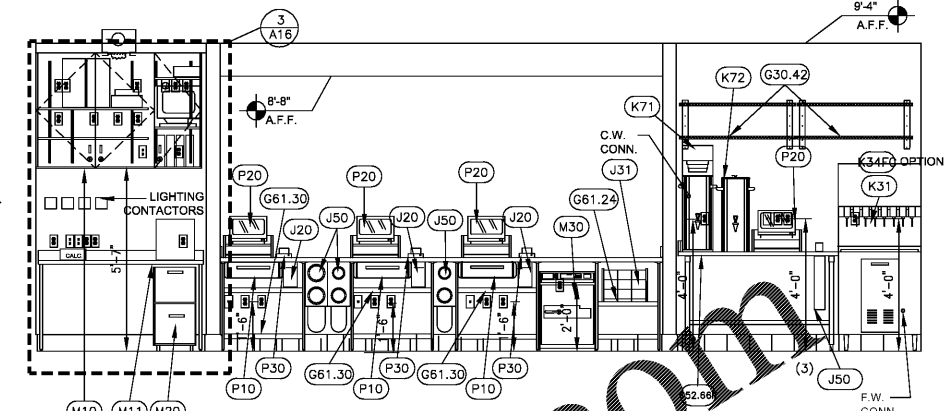


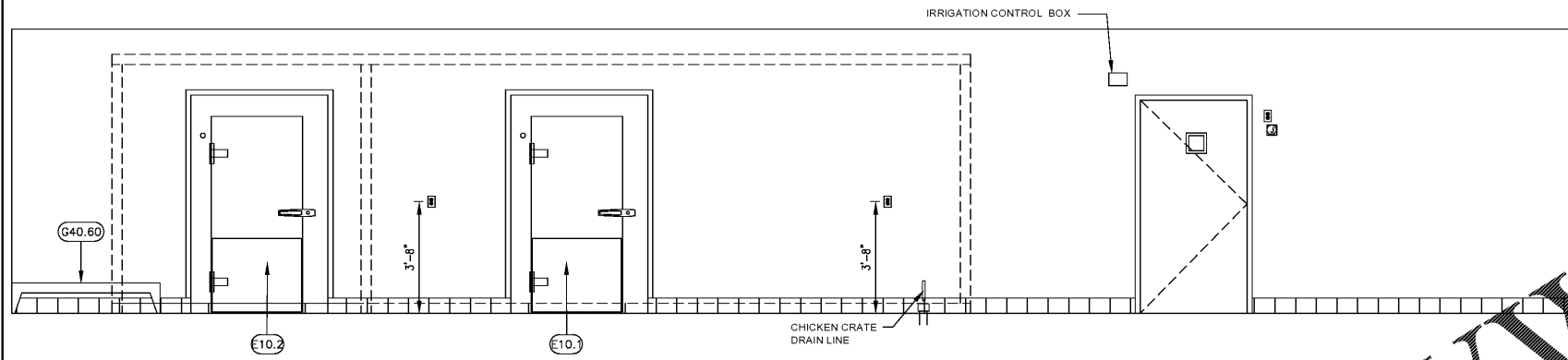
1 KITCHEN ELEVATION  
A13 3/8"=1'-0"



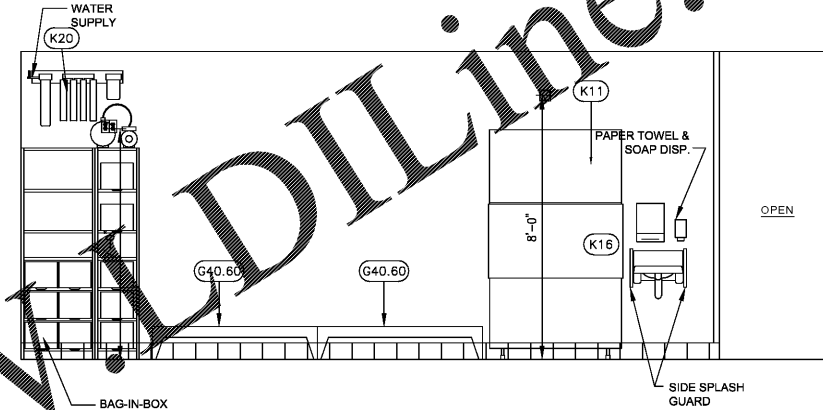
2 KITCHEN ELEVATION  
A13 3/8"=1'-0"



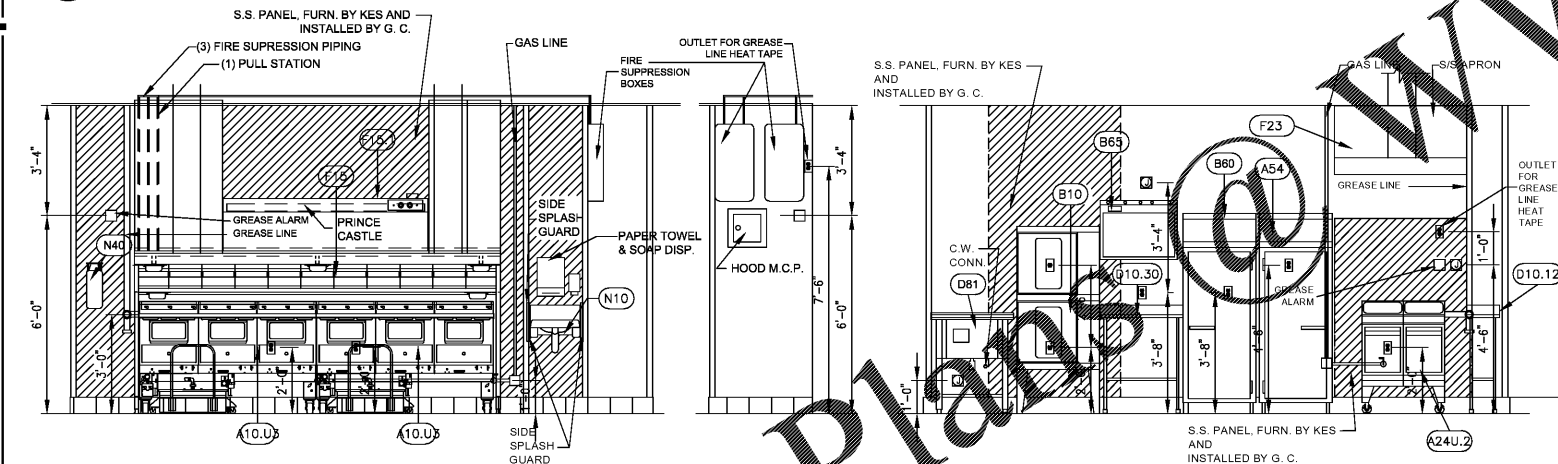
3 INTERIOR ELEVATION  
A13 3/8"=1'-0"



4 KITCHEN ELEVATION  
A13 3/8"=1'-0"



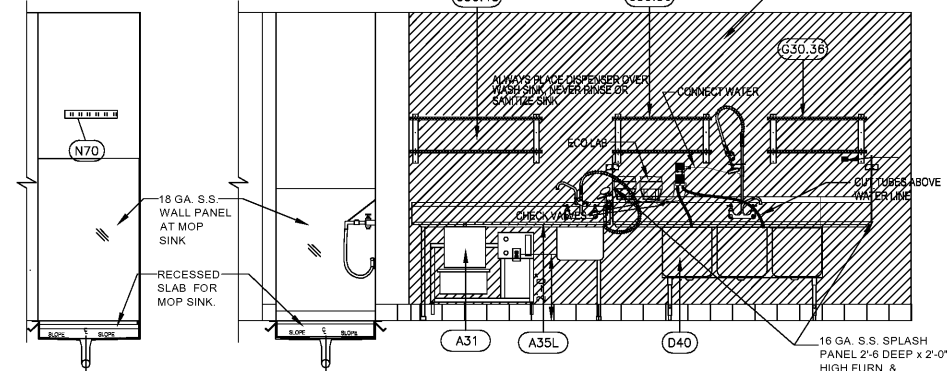
5 KITCHEN ELEVATION  
A13 3/8"=1'-0"



6 KITCHEN ELEVATION  
A13 3/8"=1'-0"

7 KITCHEN ELEVATION  
A13 3/8"=1'-0"

8 KITCHEN ELEVATION  
A13 3/8"=1'-0"



9 INTERIOR ELEVATION  
A13 3/8"=1'-0"

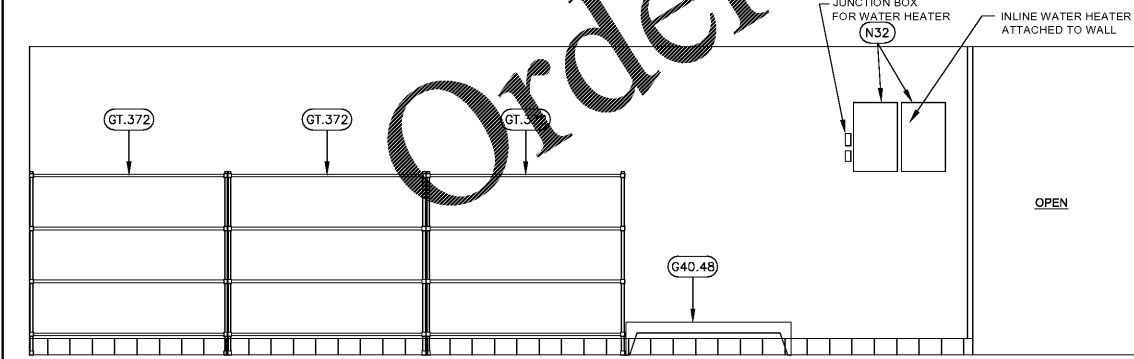
10 INTERIOR ELEVATION  
A13 3/8"=1'-0"

**LEGEND**

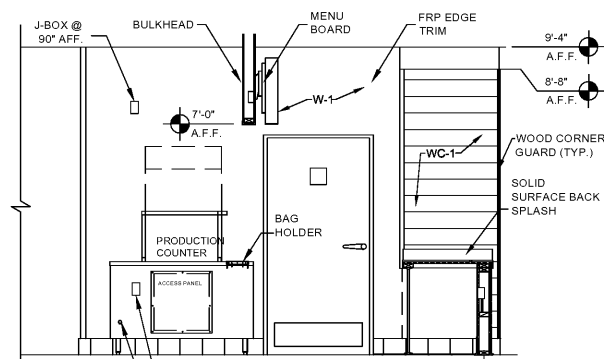
- DUPLEX RECEPTACLE
- DUPLEX RECEPTACLE
- SPECIAL PURPOSE RECEPTACLE
- TELEPHONE OUTLET / DATA OUTLET
- TELEPHONE ONLY OUTLET
- DATA ONLY OUTLET
- JUNCTION BOX
- WATER CONNECTION

**NOTES:**

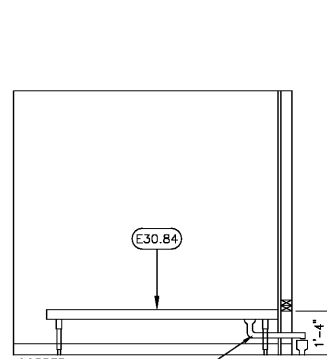
1. DIMENSIONS ARE TAKEN TO THE CENTER LINE OF THE JUNCTION BOXES (VERT. & HORIZ.)
2. PAPER TOWER DISPENSER BY: SAN JAMAR #11480 TBK FURNISHED AND INSTALLED BY G.C.
3. SOAP DISPENSER FURNISHED BY OWNER INSTALLED BY G.C. W-1 TO BE INSTALLED AND SUPPLIED BY G.C.
4. W-1 TO BE INSTALLED AND SUPPLIED BY G.C.



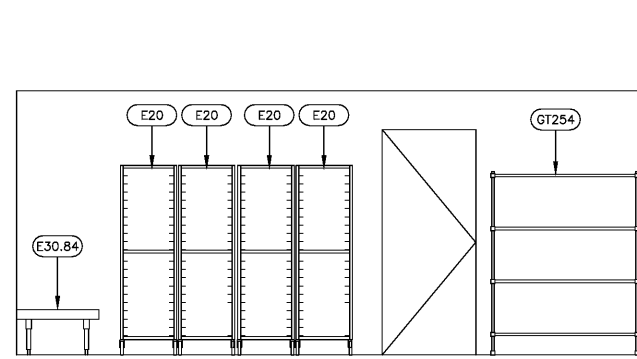
11 KITCHEN ELEVATION  
A13 3/8"=1'-0"



12 KITCHEN ELEVATION  
A13 3/8"=1'-0"



13 INTERIOR COOLER ELEVATION  
A13 3/8"=1'-0"

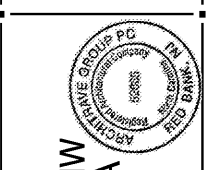


14 INTERIOR COOLER ELEVATION  
A13 3/8"=1'-0"

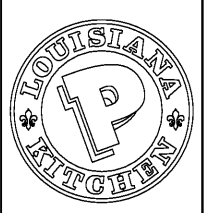
**POPEYES**  
503 BLUE LAGOON DRIVE  
WALTON, FLORIDA 32098

THESE DRAWINGS ARE THE PROPERTY OF ARCHITECTURE GROUP PC AND SHALL NOT BE USED OR REPRODUCED WITHOUT THE EXPRESS WRITTEN PERMISSION FROM THE OWNER.

**Architrave Group PC**  
1375 Peachtree Street, Suite 1007  
Buckhead, Atlanta, Georgia 30309  
Phone: (770) 212-0007 Fax: (770) 212-0099  
www.architrave.com  
ARCHITECTURE GROUP PC  
REGISTERED ARCHITECTS  
STATE OF GEORGIA  
NO. 12380  
STATE OF FLORIDA  
NO. 12380  
STATE OF ALABAMA  
NO. 12380  
STATE OF MISSISSIPPI  
NO. 12380  
STATE OF LOUISIANA  
NO. 12380



**POPEYES**  
1702 RALEIGH ROAD PKY NW  
WILSON, NORTH CAROLINA  
LOUISIANA KITCHEN PLK DESIGN STANDARDS  
83 SEATS / DUAL-LINE PRODUCTION/PLK1771-DL



**POPEYES**

REVISIONS:

**A13**  
KITCHEN ELEVATIONS

DATE: 5/18/20  
PROJECT NO: G20-05  
CHECKED: JS