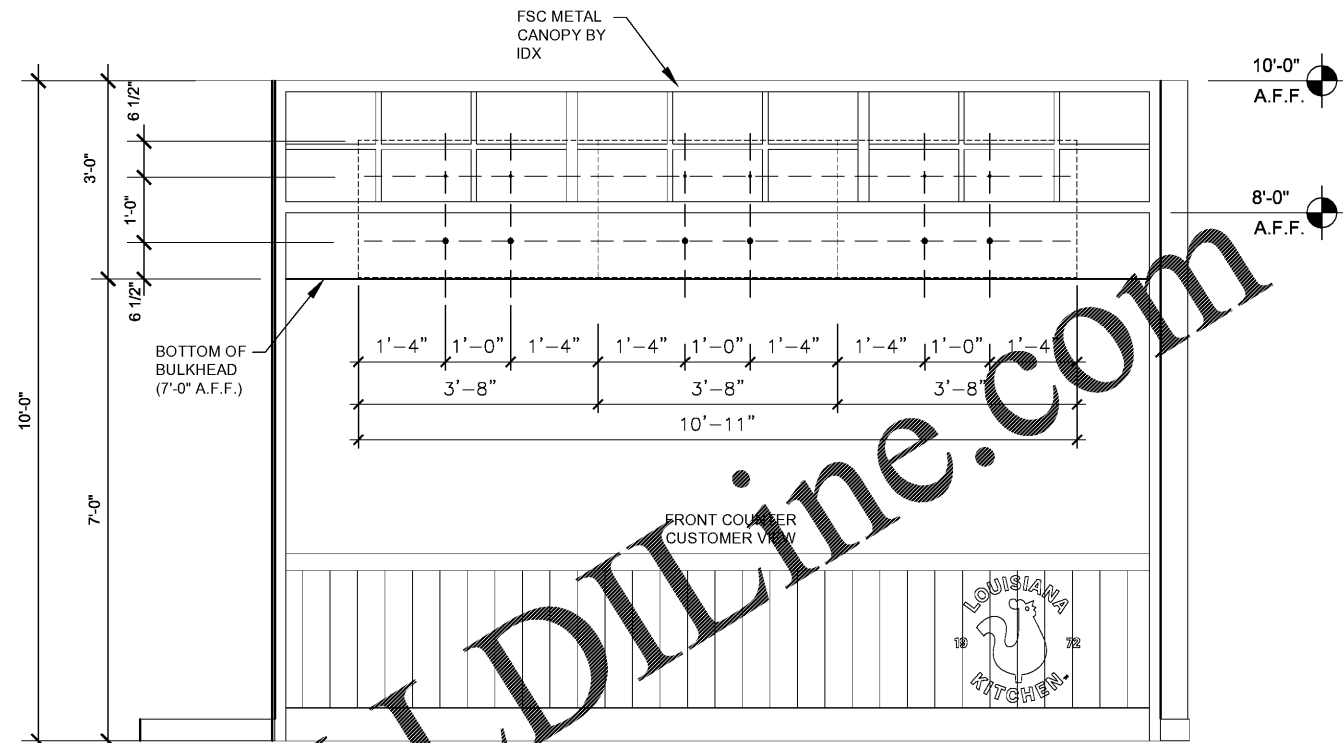
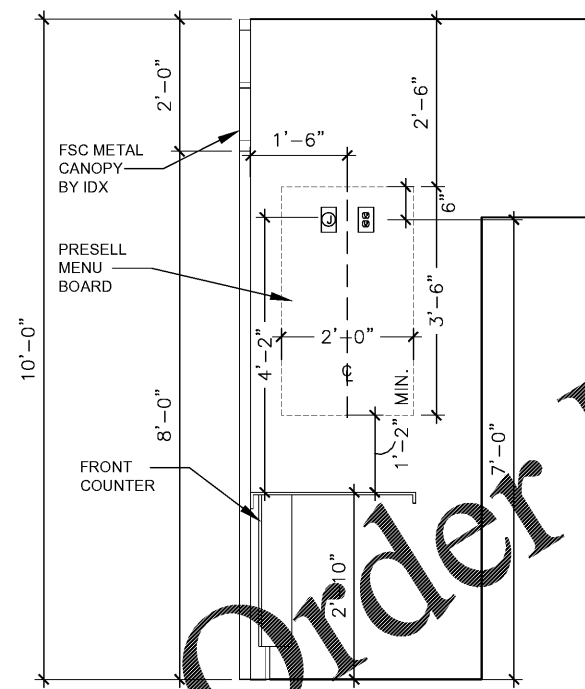


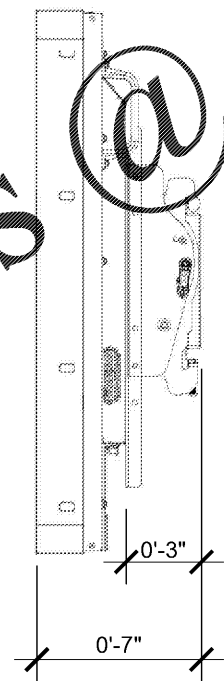
1 DIGITAL MENUBOARD ELECTRICAL RECEPTACLE LOCATIONS
A12a 3/4"=1'-0"



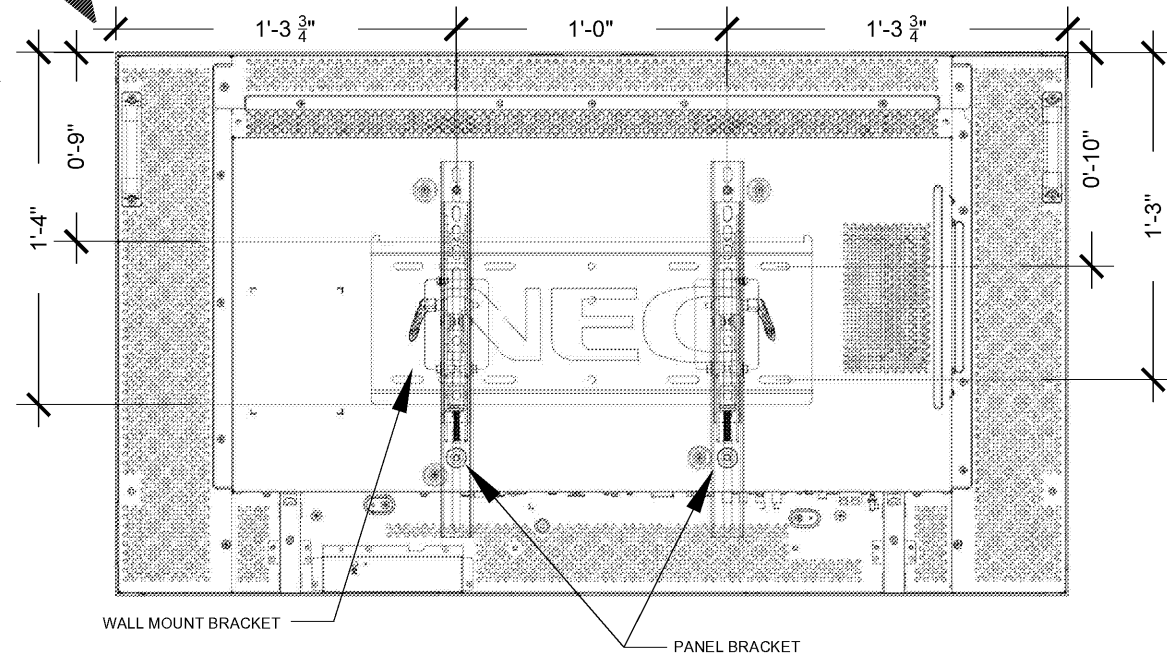
2 DIGITAL MENUBOARD LOCATION DIAGRAM
A12a 3/4"=1'-0"



4 PRE-SALE BOARD ELEVATION (@FRONT COUNTER)
A12a 3/4"=1'-0"



* FOR REFERENCE ONLY
4 MONITOR BRACKET DETAIL (SIDE)
A12a NTS

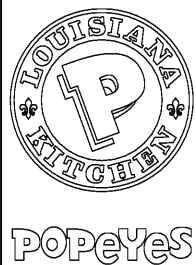


* FOR REFERENCE ONLY
5 MONITOR BRACKET DETAIL (REAR)
A12a NTS

Architrivate
Group PC
1575 Peachtree Street, Suite 107
Buckhead, Atlanta, Georgia 30309
Phone: (770) 212-0007 Fax: (770) 212-6899
www.architrivate.com
VA: 0103006 NC: 0500774 SC: 05710
VA: 0103006 NC: 0500774 SC: 05710
VA: 0103006 NC: 0500774 SC: 05710

JOHN S. SUTHERLAND
REGISTERED ARCHITECT
12280
MEMBER
NATIONAL BOARD OF ARCHITECTS

POPEYES
1702 RALEIGH ROAD PKY NW
WILSON, NORTH CAROLINA
LOUISIANA KITCHEN PLK DESIGN STANDARDS
83 SEATS / DUAL-LINE PRODUCTION/ PLK1771-DL



REVISIONS: